

TABLE OF CONTENTS

1 Introduction

2 Company Profile

3 Product Catalogue

4 Exclusive Partner

5 Country Of Origin

6 Warranty Certificate

7 Test Results From Lab

8 Certifications

9 Previous Approvals

10 Technical Data Sheets



CASAL[®]



MADE IN ITALY



Introduction

Our company has been operating since last 40 years 1979 in the sector of Aluminium and Glass hardware from Italy as manufacturer and exporter which produces:

- Aluminium Accessories for Doors & Windows: Hinges, Handles, Sliding window Kits, Finger Catches, Handles, Sliding window Kits, Finger Catches, Latch Bolts, etc.
- Aluminium panels for doors
- Aluminium Door locks with Cylinder: Latch and Roller Lock.
- Frameless Glass Hardware and Sliding Door accessories.
- Sliding Glass Door Accessories.
- Shower, Glass fittings and Spider fittings for glass.

In these years, thanks also to the collaboration of our customers, we have been giving a great attention to improve our internal organization, the quality of services given to our customers and especially the quality of our products, in order to satisfy the requests of every single customer.

In the year 1997 we obtained the quality certification UNIEN ISO 9002, and thanks to our know-how, development of new technologies, high level equipment, marketing research, high professional staff, quality control methods and accuracy in choosing the raw materials, we were able to obtain also the ISO 9001 certification by S.G.S, International Certification Services.

All the products illustrated through our catalogue have been studied and made entirely by our company, and this provides a guarantee for those who are looking for high quality and highly reliable aluminium and glass accessories.

We have now initiated operations in the UAE considering the vast demand for our items by keeping sufficient stock of all our unique products in strategic geographical locations to cater the needs of our dear customers all around Middle East region.

Casal produces aluminium accessories for all the major series of profiles mostly use in Middle East such as Gulf Extrusion, White Aluminium Extrusion, Emirates Extrusion, Arabian Extrusion, Alupco, Napco etc.

We are now self sufficient to provide our accessories to any volume of projects and moreover our technical department is always ready to study new products and answer to specific requests and explain the technical aspect of every hardware to clients.

As we thank our customers and all those who consult our catalogue, because their advices and suggestions permit us to improve our company structure and products.



www.casal.ae



About Casal company

CASAL was born in Veneto, in province of Venice, Italy in 1979 and operates in the craft industry specializing in the sector of Aluminium fittings for doors and windows.

CASAL produces and exports all over the world:

- ALUMINIUM accessories for doors and windows: hinges, handles, sliding windows kits, finger catches, latch bolts, etc.;
- accessories for the mostly used building systems in Europe and in the world such as R40/50, NC INTERNATIONAL, ALL.CO 5, EXPORT 60, EKIP, DOMAL and for every Camera Europea system;
- ALUMINIUM doors panels and hand painted glasses;
- Varnished accessories with standard colors and customized colors like satin-finish, brass and gold plating.



Product design



In addition to our manufacturing production and sale, we provide product design and development capable of meeting various customer requests and needs: from the demand of special accessories for doors and windows to the realization of components for building industry, which are specifically projected and reserved for the orthopedic, aerospace, railway and naval sector. Our technical department researches and tests the different materials - aluminium, zamak, nylon and steel - that undergo to the different processing techniques.

CASAL studies, designs, makes its own products and realizes its own prototypes guaranteeing high quality, performances and discretion. Our mission is to offer a ready and quick service able of supporting, in addition to our usual working activity, the development of small ranges of customized accessories and products for our Italian and foreign partners, in particular for system developers and extrusion manufacturing.

Our business collaboration



CASAL collaborates with leading companies in the sector of fittings and buildings, it works on special projects as the creation of accessories for cruise ships and high-speed train, with producers of mosquito net and it has a section specialized in the realization of medical devices for orthopedic industry. The company works together with other firms in the production of die-cast squares, gaskets, tilt and turn systems for windows.

Production and machinery

Inside our building there is a division specialized in the designing and manufacturing of molds for plastic, zamak and aluminium. The production machinery is equipped to process aluminium and steel and the presswork area is equipped with injection-molding presses to process steel and plastic materials and a mechanical work section for CNC machining and manufacturing.



Product quality: CASAL made in Italy



CASAL has always been keen on improving the quality of its services and of its products in order to satisfy every customer's requests. As proof of it, it has obtained the ISO 9001-2008 and ISO 18000 since 1997, a quality certification by S.G.S, (International Certification Services) which guarantees good organization and good quality. Our commitment aims at the full control of the entire line of

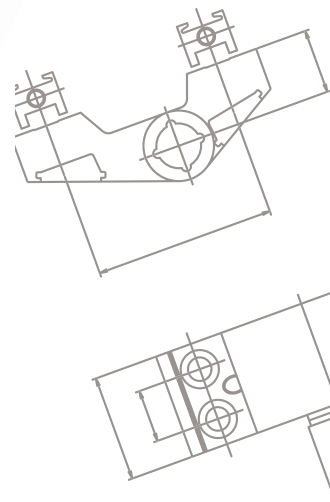
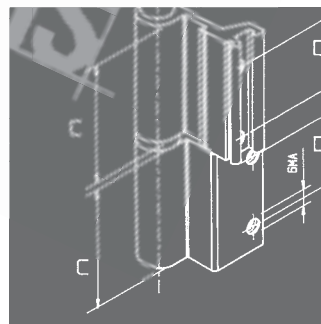
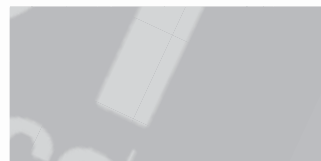
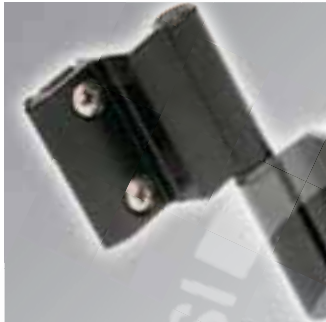
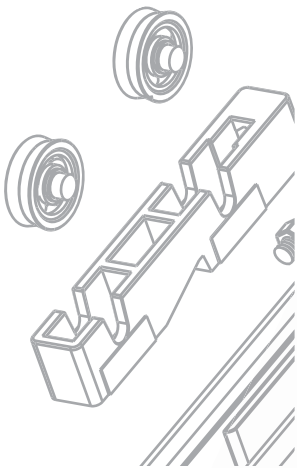
Production to guarantee the authentic **MADE IN ITALY**: from product design to its realization.

Moreover, through the development of new technologies, new equipment, quality control and technical research, CASAL has gained a solid position in the market keeping the aim to become a leading company in the sector.



Accessori per serramenti in alluminio e ferro
Accessories for aluminium fittings
Accessoires pour menuiseries en aluminium

CATALOGO GENERALE
GENERAL CATALOGUE



Made in Italy



COSTRUZIONE ACCESSORI PER SERRAMENTI IN ALLUMINIO E FERRO



La nostra azienda opera nel settore dell'accessorio per serramenti in alluminio dal 1979, come produttore e esportatore dei seguenti prodotti:

- Accessori per porte e finestre in alluminio: cerniere, maniglie, cremonesi, carrelli per scorrevoli, catenaccioli, cricchetti, ecc.
- Pannelli in alluminio per porte

In tutti questi anni, grazie anche alla collaborazione di tutti i nostri clienti, abbiamo dedicato molte energie e risorse al miglioramento della nostra organizzazione interna, della qualità dei servizi offerti al cliente e soprattutto della qualità dei nostri prodotti, in maniera tale da essere pronti a soddisfare ogni tipo di richiesta tecnico-commerciale.

Nel 1997 abbiamo ottenuto per la nostra azienda la certificazione UNI EN ISO 9002, e attraverso lo sviluppo di nuove tecnologie, l'acquisto di nuovi macchinari all'avanguardia, attenti studi di mercato, assunzione di personale qualificato, processi di controllo qualità e attenzione nell'acquisto delle materie prime, possiamo oggi vantarci di aver ottenuto anche la prestigiosa certificazione ISO 9001.

Tutti i prodotti descritti nel catalogo sono stati interamente studiati, progettati e realizzati all'interno della nostra azienda, e questo rappresenta un'enorme garanzia per tutti i clienti che mirano alla qualità e all'affidabilità degli accessori in alluminio. Casal produce accessori per tutte le serie e i profili in alluminio più diffusi in Europa e nel resto del mondo, fra cui i profili della serie R40/50, Camera Europea, NC International, All.co5, Export 60, EKIP, DOMAL, P4 ecc. Inoltre il nostro ufficio tecnico è sempre pronto a studiare e progettare nuovi prodotti su richiesta specifica dei nostri clienti.

Abbiamo ancora molti anni davanti in cui lavorare duramente per migliorare sempre di più i nostri servizi, con l'obiettivo di diventare un'azienda leader nel settore dell'accessorio per serramenti in alluminio. Ringraziamo tutti coloro che acquistano i nostri prodotti e consultano il nostro catalogo, perché i loro suggerimenti, i loro consigli e la fiducia che ripongono in noi ci permettono di migliorare continuamente la nostra azienda.



Our company has been operating since 1979 in the sector of Aluminium fittings, as a manufacturer and exporter which produces:

- *Aluminium Accessories for Doors & Windows: Hinges, Handles, Sliding window Kits, Finger Catches, Corners, Latch Bolts, etc.*
- *Aluminium Panels for doors*

In these years, thanks also to the collaboration of our customers, we have been giving a great attention to improve our internal organization, the quality of services given to our customers and especially the quality of our products, in order to satisfy the requests of every single customer.

In the year 1997 we obtained the quality certification UNI EN ISO 9002, and thanks to our know-how, development of new technologies, high level equipment, marketing research, high professional staff, quality control methods and accuracy in choosing the raw materials, we were able to obtain also the ISO 9001 certification by S.G.S., International Certification Services.

All the products illustrated through our catalogue have been studied and made entirely by our company, and this provides a guarantee for those who are looking for high quality and highly reliable aluminium accessories.


Casal produces aluminium accessories for all the major series of profiles mostly used in Europe and all over the world, such as R40/50 profiles, Euro Groove, NC International, All.co5, Export 60, EKIP, DOMAL, P4 etc.

Moreover our technical department is always ready to study new products and answer to specific requests and technical needs of our clients.

We still have many other years to collaborate together for a continuous development and improvement, with the ambitious aim to become a leader company in our sector.

So we thank our customers and all those who consult our catalogue, because their advices and suggestions permit us to improve continuously our company.



 Notre entreprise travaille depuis 1979 dans le secteur des accessoires pour menuiseries en aluminium, comme fabricant et exportateur qui produit:

- Accessoires pour portes et fenêtres en aluminium: charnières, poignées, chariots pour systèmes coulissantes, cliquets, verrous, etc.
- Panneaux pour portes en aluminium

Au cours de ces années, grâce à la collaboration de tous nos clients, nous ont accordé une grande attention afin d'améliorer notre organisation interne, la qualité des services offerts à nos clients et surtout la qualité de nos produits, afin de bien satisfaire les demandes de chaque client.

Au cours de l'année 1997 nous avons obtenu la certification de qualité UNI EN ISO 9002, et grâce à notre expérience, le développement de nouvelles technologies, un haut niveau de équipement, étude de marketing, personnel hautement qualifié, méthodes de contrôle de la qualité et précision dans le choix des matières premières, nous ont pu obtenir également la certification ISO 9001 par SGS (International Certification Services).

Tous les produits illustrés dans notre catalogue ont été étudiés et réalisés entièrement par notre entreprise, et cela constitue une grande garantie pour les sociétés qui sont à la recherche de haute qualité et accessoires en aluminium très fiable.

Casal produit accessoires pour toutes les principales séries de profils en aluminium, les plus utilisés en Europe et dans le monde entier, comme les profils R40/50, Euro Groove, NC International, All.co5, l'exportation 60, EKIP, DOMAL, P4 etc.

De plus, notre bureau technique est toujours prêt à étudier nouveaux produits et à répondre à des demandes spécifiques et les besoins techniques de nos clients.

Nous avons encore beaucoup d'autres années à collaborer ensemble pour un développement et un amélioration continu, avec l'objectif ambitieux de devenir une entreprise leader dans notre secteur.

Donc nous remercions tous nos clients et tous ceux qui consultent notre catalogue, parce que leurs conseils et suggestions nous permettent d'améliorer continuellement notre société.





Ufficial Offices



*Direzione Generale
Responsabile commerciale
General manager
Stefania Nardo*



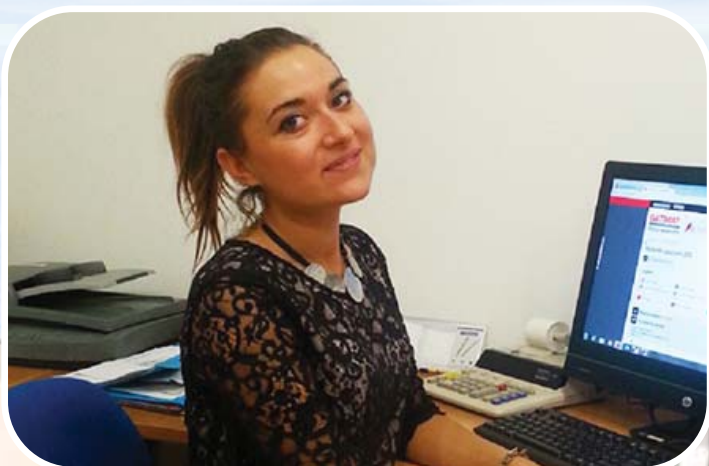
*Amministratore unico
CEO
Gianni Cassandro*



Responsabile assicurazione qualità e ufficio acquisti
Quality control and Purchase department
Silvia Cassandro



Ufficio contabilità e addetto estero
Accounting department and Foreign customer relations
Laura Stocco



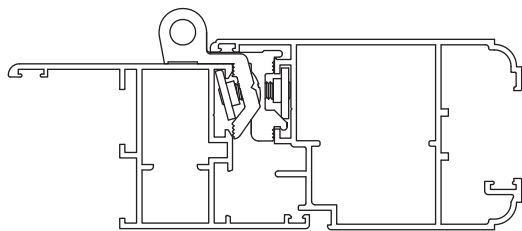
Ufficio amministrativo e addetto estero
Administration department and Foreign customer relations
Elena Mazzetto



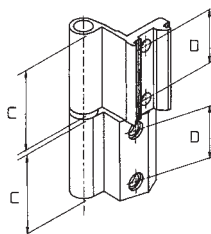
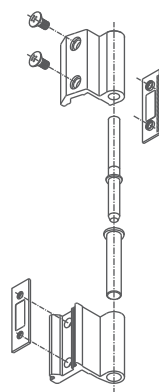
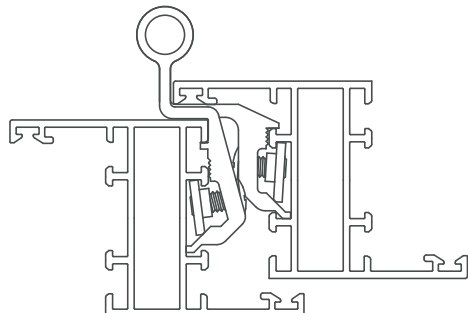
Responsabile estero
Export manager
Paolo Licari

Introduzione • <i>Introduction</i>	Pag 1
Cerniera Quik • <i>Quik Hinge/Paumelle Quik</i>	Pag 5
Cerniera Hercules • <i>Hercules Hinge/Paumelle Hercules</i>	Pag 16
Accessori Hercules • <i>Hercules Accesories/Accessoires</i>	Pag 27
Cerniera per Giunto Aperto • <i>Open Joint Hinge/Paumelle a Joint Ouvert</i>	Pag 32
Cerniera per Anta Reversibile • <i>Reversible Hinge/Paumelle réversible</i>	Pag 62
Cerniera Triade • <i>Hinge Triade/Paumelle Triade</i>	Pag 69
Catenaccioli • <i>Lach Bolts/Verrous</i>	Pag 73
Maniglie • <i>Handles/Poignées</i>	Pag 76
Cremonesi e Maniglie • <i>Cremona Handle/Poignée Crémone</i>	Pag 85
Cricchetti e Bracci • <i>Catches and Friction Hinges/Cliquets et Compas</i>	Pag 91
Kit Anta Ribalta • <i>Folding flap kit /Kit pour Porte Basculante</i>	Pag 93
Kit Carrelli • <i>Roller Kit/Kit Chariots</i>	Pag 96
Accessori Reunion • <i>Accessoires Reunion</i>	Pag 101
Accessori in Plastica • <i>Plastic Accessories/Accessoires en Plastiques</i>	Pag 106
Minuterie • <i>Minutia/Minuterie</i>	Pag 115
Squadrette • <i>Squares/Equerres</i>	Pag 122
Scheda Tecnica • <i>Technical informations/Fiche Technique</i>	Pag 128

060/2 (CAMERA EUROPEA)



060/6 (ERRE 40)



060/1

ART.	Descrizione profilati/Description of sections/Type of profilé	Quote/Dimensions/Cotes	
		C	D
060/1	ALL.CO 5 SORMONTO	45	30
060/2	DOMAL STOPPER/EXPORT 40-50/NC INTERNAT. (CAMERA EUROPEA)	45	30
060/3	DOMAL 40	45	30
060/4	ERRE 40-50 III^ ANTA	45	30
060/5	DOMAL STOPPER III^ ANTA	45	30
060/6	ERRE 40	45	30
060/7	NC NUOVO	45	30
060/9	NC INTERNATIONAL III^ ANTA	45	30
060/10	ERRE 40 COLLO LUNGO	45	30
060/11	QUIK EKIP 40 SORMONTO	45	30
060/12	PERS.EPOCAL	45	30

Varianti/Variants

ART.	Componenti/Components/pieces
061/	Perno antisfilamento zincato-viti zincate-piastrina inox/ Galvanised anti-lift pin - galvanised screws - stainless steel plate/ Axe anti-soulèvement zingué - vis zinguées - plaque inox
062/	Perno antisfilamento zincato-viti inox-piastrina inox/ Galvanised anti-lift pin - stainless steel screws - stainless steel plate/ Axe anti-soulèvement zingué - vis inox - plaque inox
063/	Perno antisfilamento zincato-viti zincate-piastrina zama/ Galvanised anti-lift pin - galvanised screws - zamak plate/ Axe anti-soulèvement zingué - vis zinguées - plaque Zama
064/	Perno antisfilamento zincato-viti inox-piastrina zama/ Galvanised anti-lift pin - stainless steel screws - zamak plate/ Axe anti-soulèvement zingué - vis inox - plaque Zama
065/	Perno antisfilamento inox-viti inox-piastrina zama/ Stainless steel anti-lift pin - stainless steel screws - zamak plate/ Axe anti-soulèvement inox - vis inox - plaque Zama

Cerniera Quik ad aggancio rapido



CARATTERISTICHE

La cerniera QUIK ha una portata di 65 Kg per coppia di cerniere (100 Kg per la versione a 3 ali), ed è stata studiata e realizzata dalla CASAL con lo scopo di ridurre i tempi d'installazione; le caratteristiche della piastrina e del perno antisfilamento in acciaio consentono di recuperare le tolleranze tra i profili facilitando l'operazione del montaggio del serramento. La scelta dell'acciaio inox per le piastrine di fissaggio, del perno e delle viti è la garanzia di qualità del prodotto. Ciò rappresenta la validità dell'azienda CASAL, orientata alla soddisfazione del cliente e a migliorare la qualità dei prodotti e dei servizi offerti ai clienti e consumatori.

MATERIALI E COMPONENTI

1 pz. Cerniera in alluminio estruso maschio QUIK lega 6060
1 pz. Cerniera in alluminio estruso femmina QUIK lega 6060
1 boccola in nylon 6.6
2 piastrine di fissaggio in acciaio inox aisi 430
4 viti in acciaio inox 304 da M5
1 perno antisfilamento in acciaio inox 7x76

FINITURE

Anodizzato: argento, bronzo, elettrocolore, elox nero.
Verniciato: Ral standard vedi tabella colori
Speciali: Oro

CONFEZIONI

50 pz per confezione

VARIANTI

Le cerniere sono disponibili anche nella versione a 3 ali

Quik Hinge for quick installation



CHARACTERISTICS

The QUIK hinge has a loading capacity of 65 Kg for a pair of hinges (100 Kg for the 3-wings version), and it was designed and made by CASAL in order to ensure rapid application and reduce the installation times, thanks to the way of the plate and steel pin are made up. The tolerances, between the sections can be taken up, facilitating installation on the doors. The use of the stainless steel for the pin's anchoring plates and screws are the guarantee of product quality. It also distinguishes the validity of the firm CASAL which is truly market-oriented and intent on constantly improving the quality of its product and its services as well.

MATERIALS AND COMPONENTS

1 pc extruded aluminium male hinge alloy 6060
1 pc extruded aluminium female hinge alloy 6060
1 nylon bush 6.6
2 stainless steel securing plates aisi 430
4 M5 steel screws aisi 304
1 stainless steel pin, d. 7x L.76

FINISHES

Anodized: silver, bronze, electro colour, black elox
Ral: standard, colour chart
Specials: gold

PACKS

50 pcs in each pack

OPTIONAL (on request)

Also available in 3-wings version

Paumelle Quik a montaggio rapido



CARACTERISTIQUES

La paumelle QUIK a une portée de 65 Kg par paire de paumelles (100 Kg pour la version à 3 lames) et c'est une nouveauté proposée par CASAL, étudiée et réalisée dans le but de réduire la durée d'installation. Les caractéristiques de sa claque et de son axe en acier permettent de récupérer les jeux entre les profilés et facilitent les opérations de montage de la menuiserie. Le choix des matériaux en acier inox pour les plaques de fixation de l'axe et des vis garantit la sûreté et la qualité de ce produit. Il démontre également le sérieux de l'entreprise CASAL, véritablement à l'écoute du marché et désireuse d'améliorer systématiquement la qualité de ses produits et des services qu'elle propose à ses clients, mais aussi aux consommateurs en general.

MATERIAUX ET PIECES

1 Paumelle en aluminium extrudé male alliage 6060
1 paumelle en aluminium extrudé femelle alliage 6060
1 douille en nylon 6.6
2 plaques de fixation en acier inox aisi 430
4 vis en acier aisi 304 M5
1 axe en acier inox d. 7xL.76

FINITIONS

Anodisées: argent, bronze, couleur électrique, elox noir
Ral: standard, tableau des couleurs
Speciale: or

EMBALLAGES

50 pièces par boîte

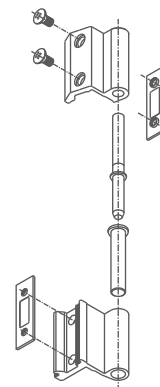
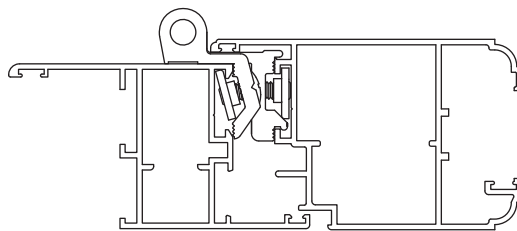
OPTIONNEL (sur demande)

Paumelles aussi disponibles à 3 lames

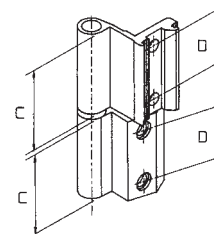
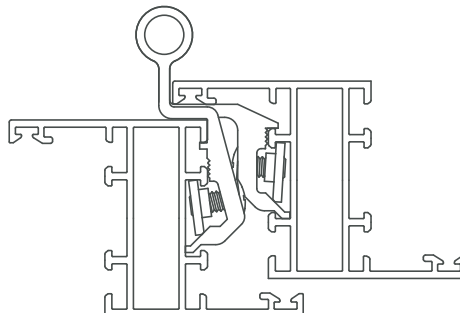


060/2

060/2 (CAMERA EUROPEA)



060/6 (ERRE 40)



ART.	Descrizione profilati/Description of sections/Type of profilé	Quote/Dimensions/Cotes	
		C	D
060/1	ALL.CO 5 SORMONTO	45	30
060/2	DOMAL STOPPER/EXPORT 40-50/NC INTERNAT. (CAMERA EUROPEA)	45	30
060/3	DOMAL 40	45	30
060/4	ERRE 40-50 III^ ANTA	45	30
060/5	DOMAL STOPPER III^ ANTA	45	30
060/6	ERRE 40	45	30
060/7	NC NUOVO	45	30
060/9	NC INTERNATIONAL III^ ANTA	45	30
060/10	ERRE 40 COLLO LUNGO	45	30
060/11	QUIK EKIP 40 SORMONTO	45	30
060/12	PERS.EPOCAL	45	30

Varianti/Variants

ART.	Componenti/Components/pieces
061/	Perno antisfilamento zincato-viti zincate-piastrina inox/ Galvanised anti-lift pin - galvanised screws - stainless steel plate / Axe anti-soulèvement zingué - vis zinguées - plaque inox
062/	Perno antisfilamento zincato-viti inox-piastrina inox/ Galvanised anti-lift pin - stainless steel screws - stainless steel plate/Axe anti-soulèvement zingué - vis inox - plaque inox
063/	Perno antisfilamento zincato-viti zincate-piastrina zama/ Galvanised anti-lift pin - galvanised screws - zamak plate / Axe anti-soulèvement zingué - vis zinguées - plaque Zama
064/	Perno antisfilamento zincato-viti inox-piastrina zama/ Galvanised anti-lift pin - stainless steel screws - zamak plate/Axe anti-soulèvement zingué - vis inox - plaque Zama
065/	Perno antisfilamento inox-viti inox-piastrina zama/ Stainless steel anti-lift pin - stainless steel screws - zamak plate/Axe anti-soulèvement inox - vis inox - plaque Zama

Cerniera Quik ad aggancio rapido

Quik Hinge for quick installation

Paumelle Quik a montaggio rapido

CARATTERISTICHE

La cerniera QUIK ha una portata di 65 Kg per coppia di cerniere (100 Kg per la versione a 3 ali), ed è stata studiata e realizzata dalla CASAL con lo scopo di ridurre i tempi d'installazione; le caratteristiche della piastrina e del perno antisfilamento in acciaio consentono di recuperare le tolleranze tra i profili facilitando l'operazione del montaggio del serramento. La scelta dell'acciaio inox per le piastrine di fissaggio, del perno e delle viti è la garanzia di qualità del prodotto. Ciò rappresenta la validità dell'azienda CASAL, orientata alla soddisfazione del cliente e a migliorare la qualità dei prodotti e dei servizi offerti ai clienti e consumatori.

CHARACTERISTICS

The QUIK hinge has a loading capacity of 65 Kg for a pair of hinges (100 Kg for the 3-wings version), and it was designed and made by CASAL in order to ensure rapid application and reduce the installation times, thanks to the way of the plate and steel pin are made up. The tolerances, between the sections can be taken up, facilitating installation on the doors. The use of the stainless steel for the pin's anchoring plates and screws are the guarantee of product quality. It also distinguishes the validity of the firm CASAL which is truly market-oriented and intent on constantly improving the quality of its product and its services as well.

CARACTERISTIQUES

La paumelle QUIK a une portée de 65 Kg par paire de paumelles (100 Kg pour la version à 3 lames) et c'est une nouveauté proposée par CASAL, étudiée et réalisée dans le but de réduire la durée d'installation. Les caractéristiques de sa claqué et de son axe en acier permettent de récupérer les jeux entre les profilés et facilitent les opérations de montage de la menuiserie. Le choix des matériaux en acier inox pour les plaques de fixation de l'axe et des vis garantit la sûreté et la qualité de ce produit. Il démontre également le sérieux de l'entreprise CASAL, véritablement à l'écoute du marché et désireuse d'améliorer systématiquement la qualité de ses produits et des services qu'elle propose à ses clients, mais aussi aux consommateurs en général.

MATERIALI E COMPONENTI

1 pz. Cerniera in alluminio estruso maschio QUIK lega 6060
1 pz. Cerniera in alluminio estruso femmina QUIK lega 6060
1 boccolla in nylon 6.6
2 piastrine di fissaggio in acciaio inox aisi 430
4 viti in acciaio inox 304 da M5
1 perno antisfilamento in acciaio inox 7x76

MATERIALS AND COMPONENTS

1 pc extruded aluminium male hinge alloy 6060
1 pc extruded aluminium female hinge alloy 6060
1 nylon bush 6.6
2 stainless steel securing plates aisi 430
4 M5 steel screws aisi 304
1 stainless steel pin, d. 7x L.76

MATERIAUX ET PIECES

1 Paumelle en aluminium extrudé male alliage 6060
1 paumelle en aluminium extrudé femelle alliage 6060
1 douille en nylon 6.6
2 plaques de fixation en acier inox aisi 430
4 vis en acier aisi 304 M5
1 axe en acier inox d. 7xL.76

FINITURE

Anodizzato: argento, bronzo, elettrocolore, elox nero.
Verniciato: Ral standard vedi tabella colori
Speciali: Oro

FINISHES

Anodized: silver, bronze, electro colour, black elox
Ral: standard, colour chart
Specials: gold

FINITIONS

Anodisées: argent, bronze, couleur électrique, elox noir
Ral: standard, tableau des couleurs
Speciale: or

CONFEZIONI

50 pz per confezione

PACKS

50 pcs in each pack

EMBALLAGES

50 pièces par boîte

VARIANTI

Le cerniere sono disponibili anche nella versione a 3 ali

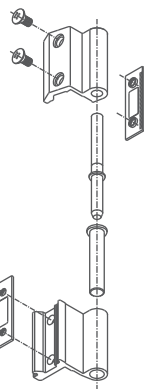
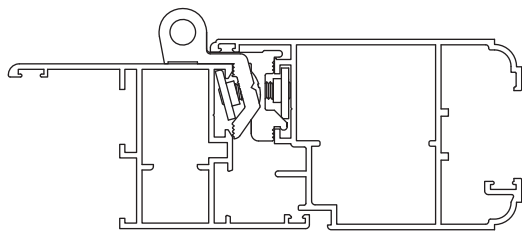
OPTIONAL (on request)

Also available in 3-wings version

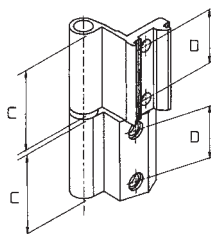
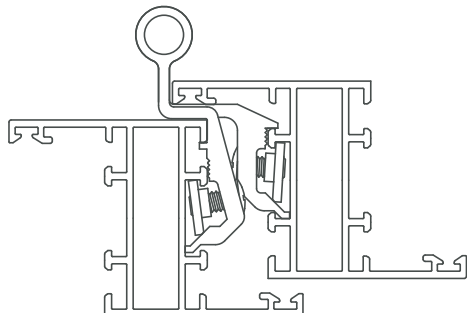
OPTIONNEL (sur demande)

Paumelles aussi disponibles à 3 lames

060/2 (CAMERA EUROPEA)



060/6 (ERRE 40)



060/3

ART.	Descrizione profilati/Description of sections/Type of profilé	Quote/Dimensions/Cotes	
		C	D
060/1	ALL.CO 5 SORMONTO	45	30
060/2	DOMAL STOPPER/EXPORT 40-50/NC INTERNAT. (CAMERA EUROPEA)	45	30
060/3	DOMAL 40	45	30
060/4	ERRE 40-50 III^ ANTA	45	30
060/5	DOMAL STOPPER III^ ANTA	45	30
060/6	ERRE 40	45	30
060/7	NC NUOVO	45	30
060/9	NC INTERNATIONAL III^ ANTA	45	30
060/10	ERRE 40 COLLO LUNGO	45	30
060/11	QUIK EKIP 40 SORMONTO	45	30
060/12	PERS.EPOCAL	45	30

Varianti/Variants

ART.	Componenti/Components/pieces
061/	Perno antisfilamento zincato-viti zincate-piastrina inox/ Galvanised anti-lift pin - galvanised screws - stainless steel plate/ Axe anti-soulèvement zingué - vis zinguées - plaque inox
062/	Perno antisfilamento zincato-viti inox-piastrina inox/ Galvanised anti-lift pin - stainless steel screws - stainless steel plate/ Axe anti-soulèvement zingué - vis inox - plaque inox
063/	Perno antisfilamento zincato-viti zincate-piastrina zama/ Galvanised anti-lift pin - galvanised screws - zamak plate/ Axe anti-soulèvement zingué - vis zinguées - plaque Zama
064/	Perno antisfilamento zincato-viti inox-piastrina zama/ Galvanised anti-lift pin - stainless steel screws - zamak plate/ Axe anti-soulèvement zingué - vis inox - plaque Zama
065/	Perno antisfilamento inox-viti inox-piastrina zama/ Stainless steel anti-lift pin - stainless steel screws - zamak plate/ Axe anti-soulèvement inox - vis inox - plaque Zama

Cerniera Quik ad aggancio rapido



CARATTERISTICHE

La cerniera QUIK ha una portata di 65 Kg per coppia di cerniere (100 Kg per la versione a 3 ali), ed è stata studiata e realizzata dalla CASAL con lo scopo di ridurre i tempi d'installazione; le caratteristiche della piastrina e del perno antisfilamento in acciaio consentono di recuperare le tolleranze tra i profili facilitando l'operazione del montaggio del serramento. La scelta dell'acciaio inox per le piastrine di fissaggio, del perno e delle viti è la garanzia di qualità del prodotto. Ciò rappresenta la validità dell'azienda CASAL, orientata alla soddisfazione del cliente e a migliorare la qualità dei prodotti e dei servizi offerti ai clienti e consumatori.

MATERIALI E COMPONENTI

1 pz. Cerniera in alluminio estruso maschio QUIK lega 6060
1 pz. Cerniera in alluminio estruso femmina QUIK lega 6060
1 boccola in nylon 6.6
2 piastrine di fissaggio in acciaio inox aisi 430
4 viti in acciaio inox 304 da M5
1 perno antisfilamento in acciaio inox 7x76

FINITURE

Anodizzato: argento, bronzo, elettrocolore, elox nero.
Verniciato: Ral standard vedi tabella colori
Speciali: Oro

CONFEZIONI

50 pz per confezione

VARIANTI

Le cerniere sono disponibili anche nella versione a 3 ali

Quik Hinge for quick installation



CHARACTERISTICS

The QUIK hinge has a loading capacity of 65 Kg for a pair of hinges (100 Kg for the 3-wings version), and it was designed and made by CASAL in order to ensure rapid application and reduce the installation times, thanks to the way of the plate and steel pin are made up. The tolerances, between the sections can be taken up, facilitating installation on the doors. The use of the stainless steel for the pin's anchoring plates and screws are the guarantee of product quality. It also distinguishes the validity of the firm CASAL which is truly market-oriented and intent on constantly improving the quality of its product and its services as well.

MATERIALS AND COMPONENTS

1 pc extruded aluminium male hinge alloy 6060
1 pc extruded aluminium female hinge alloy 6060
1 nylon bush 6.6
2 stainless steel securing plates aisi 430
4 M5 steel screws aisi 304
1 stainless steel pin, d. 7x L.76

FINISHES

Anodized: silver, bronze, electro colour, black elox
Ral: standard, colour chart
Specials: gold

PACKS

50 pcs in each pack

OPTIONAL (on request)

Also available in 3-wings version

Paumelle Quik a montage rapide



CARACTERISTIQUES

La paumelle QUIK a une portée de 65 Kg par paire de paumelles (100 Kg pour la version à 3 lames) et c'est une nouveauté proposée par CASAL, étudiée et réalisée dans le but de réduire la durée d'installation. Les caractéristiques de sa claque et de son axe en acier permettent de récupérer les jeux entre les profilés et facilitent les opérations de montage de la menuiserie. Le choix des matériaux en acier inox pour les plaques de fixation de l'axe et des vis garantit la sûreté et la qualité de ce produit. Il démontre également le sérieux de l'entreprise CASAL, véritablement à l'écoute du marché et désireuse d'améliorer systématiquement la qualité de ses produits et des services qu'elle propose à ses clients, mais aussi aux consommateurs en general.

MATERIAUX ET PIECES

1 Paumelle en aluminium extrudé male alliage 6060
1 paumelle en aluminium extrudé femelle alliage 6060
1 douille en nylon 6.6
2 plaques de fixation en acier inox aisi 430
4 vis en acier aisi 304 M5
1 axe en acier inox d. 7xL.76

FINITIONS

Anodisées: argent, bronze, couleur électrique, elox noir
Ral: standard, tableau des couleurs
Speciale: or

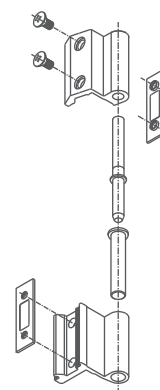
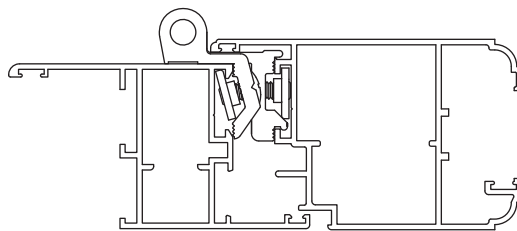
EMBALLAGES

50 pièces par boîte

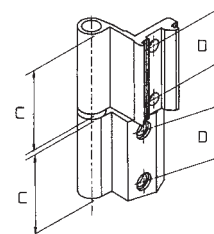
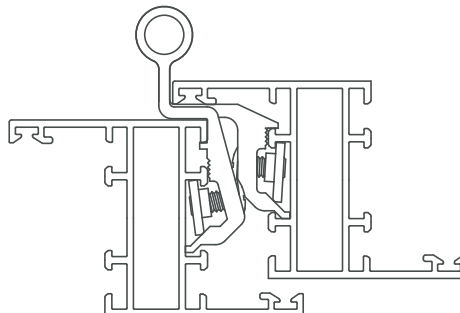
OPTIONNEL (sur demande)

Paumelles aussi disponibles à 3 lames

060/2 (CAMERA EUROPEA)



060/6 (ERRE 40)



060/4

ART.	Descrizione profilati/Description of sections/Type of profilé	Quote/Dimensions/Cotes	
		C	D
060/1	ALL.CO 5 SORMONTO	45	30
060/2	DOMAL STOPPER/EXPORT 40-50/NC INTERNAT. (CAMERA EUROPEA)	45	30
060/3	DOMAL 40	45	30
060/4	ERRE 40-50 III^ ANTA	45	30
060/5	DOMAL STOPPER III^ ANTA	45	30
060/6	ERRE 40	45	30
060/7	NC NUOVO	45	30
060/9	NC INTERNATIONAL III^ ANTA	45	30
060/10	ERRE 40 COLLO LUNGO	45	30
060/11	QUIK EKIP 40 SORMONTO	45	30
060/12	PERS.EPOCAL	45	30

Varianti/Variants

ART.	Componenti/Components/pieces
061/	Perno antisfilamento zincato-viti zincate-piastrina inox/ Galvanised anti-lift pin - galvanised screws - stainless steel plate / Axe anti-soulèvement zingué - vis zinguées - plaque inox
062/	Perno antisfilamento zincato-viti inox-piastrina inox/ Galvanised anti-lift pin - stainless steel screws - stainless steel plate/Axe anti-soulèvement zingué - vis inox - plaque inox
063/	Perno antisfilamento zincato-viti zincate-piastrina zama/ Galvanised anti-lift pin - galvanised screws - zamak plate / Axe anti-soulèvement zingué - vis zinguées - plaque Zama
064/	Perno antisfilamento zincato-viti inox-piastrina zama/ Galvanised anti-lift pin - stainless steel screws - zamak plate/Axe anti-soulèvement zingué - vis inox - plaque Zama
065/	Perno antisfilamento inox-viti inox-piastrina zama/ Stainless steel anti-lift pin - stainless steel screws - zamak plate/Axe anti-soulèvement inox - vis inox - plaque Zama

Cerniera Quik ad aggancio rapido

Quik Hinge for quick installation

Paumelle Quik a montaggio rapido

CARATTERISTICHE

La cerniera QUIK ha una portata di 65 Kg per coppia di cerniere (100 Kg per la versione a 3 ali), ed è stata studiata e realizzata dalla CASAL con lo scopo di ridurre i tempi d'installazione; le caratteristiche della piastrina e del perno antisfilamento in acciaio consentono di recuperare le tolleranze tra i profili facilitando l'operazione del montaggio del serramento. La scelta dell'acciaio inox per le piastrine di fissaggio, del perno e delle viti è la garanzia di qualità del prodotto. Ciò rappresenta la validità dell'azienda CASAL, orientata alla soddisfazione del cliente e a migliorare la qualità dei prodotti e dei servizi offerti ai clienti e consumatori.

CHARACTERISTICS

The QUIK hinge has a loading capacity of 65 Kg for a pair of hinges (100 Kg for the 3-wings version), and it was designed and made by CASAL in order to ensure rapid application and reduce the installation times, thanks to the way of the plate and steel pin are made up. The tolerances, between the sections can be taken up, facilitating installation on the doors. The use of the stainless steel for the pin's anchoring plates and screws are the guarantee of product quality. It also distinguishes the validity of the firm CASAL which is truly market-oriented and intent on constantly improving the quality of its product and its services as well.

CARACTERISTIQUES

La paumelle QUIK a une portée de 65 Kg par paire de paumelles (100 Kg pour la version à 3 lames) et c'est une nouveauté proposée par CASAL, étudiée et réalisée dans le but de réduire la durée d'installation. Les caractéristiques de sa claue et de son axe en acier permettent de récupérer les jeux entre les profilés et facilitent les opérations de montage de la menuiserie. Le choix des matériaux en acier inox pour les plaques de fixation de l'axe et des vis garantit la sûreté et la qualité de ce produit. Il démontre également le sérieux de l'entreprise CASAL, véritablement à l'écoute du marché et désireuse d'améliorer systématiquement la qualité de ses produits et des services qu'elle propose à ses clients, mais aussi aux consommateurs en general.

MATERIALI E COMPONENTI

1 pz. Cerniera in alluminio estruso maschio QUIK lega 6060
1 pz. Cerniera in alluminio estruso femmina QUIK lega 6060
1 boccola in nylon 6.6
2 piastrine di fissaggio in acciaio inox aisi 430
4 viti in acciaio inox 304 da M5
1 perno antisfilamento in acciaio inox 7x76

MATERIALS AND COMPONENTS

1 pc extruded aluminium male hinge alloy 6060
1 pc extruded aluminium female hinge alloy 6060
1 nylon bush 6.6
2 stainless steel securing plates aisi 430
4 M5 steel screws aisi 304
1 stainless steel pin, d. 7x L.76

MATERIAUX ET PIECES

1 Paumelle en aluminium extrudé male alliage 6060
1 paumelle en aluminium extrudé femelle alliage 6060
1 douille en nylon 6.6
2 plaques de fixation en acier inox aisi 430
4 vis en acier aisi 304 M5
1 axe en acier inox d. 7xL.76

FINITURE

Anodizzato: argento, bronzo, elettrocolore, elox nero.
Verniciato: Ral standard vedi tabella colori
Speciali: Oro

FINISHES

Anodized: silver, bronze, electro colour, black elox
Ral: standard, colour chart
Specials: gold

FINITIONS

Anodisées: argent, bronze, couleur électrique, elox noir
Ral: standard, tableau des couleurs
Speciale: or

CONFEZIONI

50 pz per confezione

PACKS

50 pcs in each pack

EMBALLAGES

50 pièces par boîte

VARIANTI

Le cerniere sono disponibili anche nella versione a 3 ali

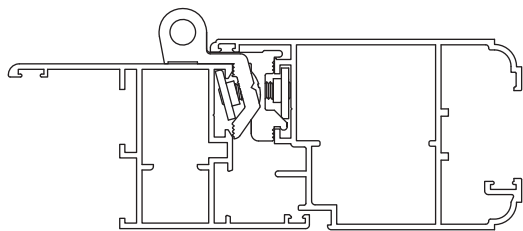
OPTIONAL (on request)

Also available in 3-wings version

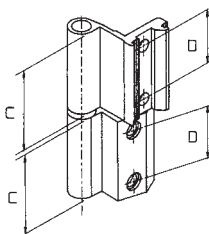
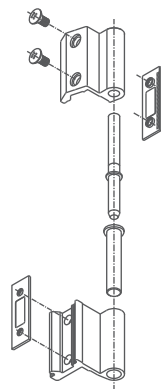
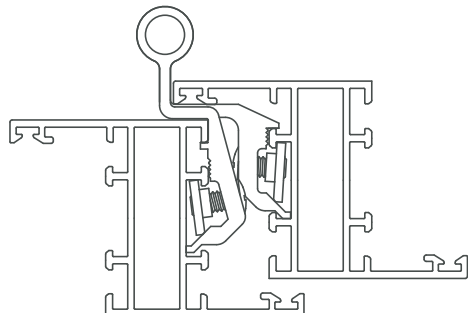
OPTIONNEL (sur demande)

Paumelles aussi disponibles à 3 lames

060/2 (CAMERA EUROPEA)



060/6 (ERRE 40)



060/5



ART.	Descrizione profilati/Description of sections/Type of profilé	Quote/Dimensions/Cotes	
		C	D
060/1	ALL.CO 5 SORMONTO	45	30
060/2	DOMAL STOPPER/EXPORT 40-50/NC INTERNAT. (CAMERA EUROPEA)	45	30
060/3	DOMAL 40	45	30
060/4	ERRE 40-50 III^ ANTA	45	30
060/5	DOMAL STOPPER III^ ANTA	45	30
060/6	ERRE 40	45	30
060/7	NC NUOVO	45	30
060/9	NC INTERNATIONAL III^ ANTA	45	30
060/10	ERRE 40 COLLO LUNGO	45	30
060/11	QUIK EKIP 40 SORMONTO	45	30
060/12	PERS.EPOCAL	45	30

Varianti/Variants

ART.	Componenti/Components/pieces
061/	Perno antisfilamento zincato-viti zincate-piastrina inox/ Galvanised anti-lift pin - galvanised screws - stainless steel plate/ Axe anti-soulèvement zingué - vis zinguées - plaque inox
062/	Perno antisfilamento zincato-viti inox-piastrina inox/ Galvanised anti-lift pin - stainless steel screws - stainless steel plate/ Axe anti-soulèvement zingué - vis inox - plaque inox
063/	Perno antisfilamento zincato-viti zincate-piastrina zama/ Galvanised anti-lift pin - galvanised screws - zamak plate/ Axe anti-soulèvement zingué - vis zinguées - plaque Zama
064/	Perno antisfilamento zincato-viti inox-piastrina zama/ Galvanised anti-lift pin - stainless steel screws - zamak plate/ Axe anti-soulèvement zingué - vis inox - plaque Zama
065/	Perno antisfilamento inox-viti inox-piastrina zama/ Stainless steel anti-lift pin - stainless steel screws - zamak plate/ Axe anti-soulèvement inox - vis inox - plaque Zama

Cerniera Quik ad aggancio rapido



CARATTERISTICHE

La cerniera QUIK ha una portata di 65 Kg per coppia di cerniere (100 Kg per la versione a 3 ali), ed è stata studiata e realizzata dalla CASAL con lo scopo di ridurre i tempi d'installazione; le caratteristiche della piastrina e del perno antisfilamento in acciaio consentono di recuperare le tolleranze tra i profili facilitando l'operazione del montaggio del serramento. La scelta dell'acciaio inox per le piastrine di fissaggio, del perno e delle viti è la garanzia di qualità del prodotto. Ciò rappresenta la validità dell'azienda CASAL, orientata alla soddisfazione del cliente e a migliorare la qualità dei prodotti e dei servizi offerti ai clienti e consumatori.

MATERIALI E COMPONENTI

1 pz. Cerniera in alluminio estruso maschio QUIK lega 6060
1 pz. Cerniera in alluminio estruso femmina QUIK lega 6060
1 boccola in nylon 6.6
2 piastrine di fissaggio in acciaio inox aisi 430
4 viti in acciaio inox 304 da M5
1 perno antisfilamento in acciaio inox 7x76

FINITURE

Anodizzato: argento, bronzo, elettrocolore, elox nero.
Verniciato: Ral standard vedi tabella colori
Speciali: Oro

CONFEZIONI

50 pz per confezione

VARIANTI

Le cerniere sono disponibili anche nella versione a 3 ali

Quik Hinge for quick installation



CHARACTERISTICS

The QUIK hinge has a loading capacity of 65 Kg for a pair of hinges (100 Kg for the 3-wings version), and it was designed and made by CASAL in order to ensure rapid application and reduce the installation times, thanks to the way of the plate and steel pin are made up. The tolerances, between the sections can be taken up, facilitating installation on the doors. The use of the stainless steel for the pin's anchoring plates and screws are the guarantee of product quality. It also distinguishes the validity of the firm CASAL which is truly market-oriented and intent on constantly improving the quality of its product and it's services as well.

MATERIALS AND COMPONENTS

1 pc extruded aluminium male hinge alloy 6060
1 pc extruded aluminium female hinge alloy 6060
1 nylon bush 6.6
2 stainless steel securing plates aisi 430
4 M5 steel screws aisi 304
1 stainless steel pin, d. 7x L.76

FINISHES

Anodized: silver, bronze, electro colour, black elox
Ral: standard, colour chart
Specials: gold

PACKS

50 pcs in each pack

OPTIONAL (on request)

Also available in 3-wings version

Paumelle Quik a montaggio rapido



CARACTERISTIQUES

La paumelle QUIK a une portée de 65 Kg par paire de paumelles (100 Kg pour la version à 3 lames) et c'est une nouveauté proposée par CASAL, étudiée et réalisée dans le but de réduire la durée d'installation. Les caractéristiques de sa claque et de son axe en acier permettent de récupérer les jeux entre les profilés et facilitent les opérations de montage de la menuiserie. Le choix des matériaux en acier inox pour les plaques de fixation de l'axe et des vis garantit la sûreté et la qualité de ce produit. Il démontre également le sérieux de l'entreprise CASAL, véritablement à l'écoute du marché et désireuse d'améliorer systématiquement la qualité de ses produits et des services qu'elle propose à ses clients, mais aussi aux consommateurs en general.

MATERIAUX ET PIECES

1 Paumelle en aluminium extrudé male alliage 6060
1 paumelle en aluminium extrudé femelle alliage 6060
1 douille en nylon 6.6
2 plaques de fixation en acier inox aisi 430
4 vis en acier aisi 304 M5
1 axe en acier inox d. 7xL.76

FINITIONS

Anodisées: argent, bronze, couleur électrique, elox noir
Ral: standard, tableau des couleurs
Speciale: or

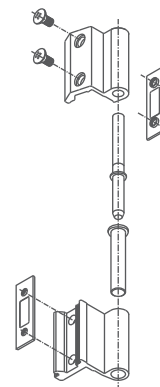
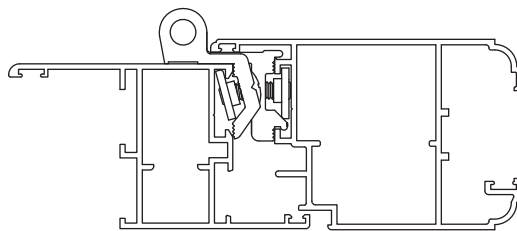
EMBALLAGES

50 pièces par boîte

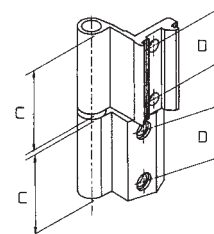
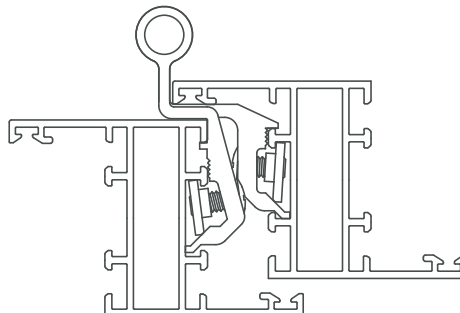
OPTIONNEL (sur demande)

Paumelles aussi disponibles à 3 lames

060/2 (CAMERA EUROPEA)



060/6 (ERRE 40)



060/6

ART.	Descrizione profilati/Description of sections/Type of profilé	Quote/Dimensions/Cotes	
		C	D
060/1	ALL.CO 5 SORMONTO	45	30
060/2	DOMAL STOPPER/EXPORT 40-50/NC INTERNAT. (CAMERA EUROPEA)	45	30
060/3	DOMAL 40	45	30
060/4	ERRE 40-50 III^ ANTA	45	30
060/5	DOMAL STOPPER III^ ANTA	45	30
060/6	ERRE 40	45	30
060/7	NC NUOVO	45	30
060/9	NC INTERNATIONAL III^ ANTA	45	30
060/10	ERRE 40 COLLO LUNGO	45	30
060/11	QUIK EKIP 40 SORMONTO	45	30
060/12	PERS.EPOCAL	45	30

Varianti/Variants

ART.	Componenti/Components/pieces
061/	Perno antisfilamento zincato-viti zincate-piastrina inox/ Galvanised anti-lift pin - galvanised screws - stainless steel plate/ Axe anti-soulèvement zingué - vis zinguées - plaque inox
062/	Perno antisfilamento zincato-viti inox-piastrina inox/ Galvanised anti-lift pin - stainless steel screws - stainless steel plate/ Axe anti-soulèvement zingué - vis inox - plaque inox
063/	Perno antisfilamento zincato-viti zincate-piastrina zama/ Galvanised anti-lift pin - galvanised screws - zamak plate/ Axe anti-soulèvement zingué - vis zinguées - plaque Zama
064/	Perno antisfilamento zincato-viti inox-piastrina zama/ Galvanised anti-lift pin - stainless steel screws - zamak plate/ Axe anti-soulèvement zingué - vis inox - plaque Zama
065/	Perno antisfilamento inox-viti inox-piastrina zama/ Stainless steel anti-lift pin - stainless steel screws - zamak plate/ Axe anti-soulèvement inox - vis inox - plaque Zama

Cerniera Quik ad aggancio rapido



CARATTERISTICHE

La cerniera QUIK ha una portata di 65 Kg per coppia di cerniere (100 Kg per la versione a 3 ali), ed è stata studiata e realizzata dalla CASAL con lo scopo di ridurre i tempi d'installazione; le caratteristiche della piastrina e del perno antisfilamento in acciaio consentono di recuperare le tolleranze tra i profili facilitando l'operazione del montaggio del serramento. La scelta dell'acciaio inox per le piastrine di fissaggio, del perno e delle viti è la garanzia di qualità del prodotto. Ciò rappresenta la validità dell'azienda CASAL, orientata alla soddisfazione del cliente e a migliorare la qualità dei prodotti e dei servizi offerti ai clienti e consumatori.

MATERIALI E COMPONENTI

1 pz. Cerniera in alluminio estruso maschio QUIK lega 6060
1 pz. Cerniera in alluminio estruso femmina QUIK lega 6060
1 boccolla in nylon 6.6
2 piastrine di fissaggio in acciaio inox aisi 430
4 viti in acciaio inox 304 da M5
1 perno antisfilamento in acciaio inox 7x76

FINITURE

Anodizzato: argento, bronzo, elettrocolore, elox nero.
Verniciato: Ral standard vedi tabella colori
Speciali: Oro

CONFEZIONI

50 pz per confezione

VARIANTI

Le cerniere sono disponibili anche nella versione a 3 ali

Quik Hinge for quick installation



CHARACTERISTICS

The QUIK hinge has a loading capacity of 65 Kg for a pair of hinges (100 Kg for the 3-wings version), and it was designed and made by CASAL in order to ensure rapid application and reduce the installation times, thanks to the way of the plate and steel pin are made up. The tolerances, between the sections can be taken up, facilitating installation on the doors. The use of the stainless steel for the pin's anchoring plates and screws are the guarantee of product quality. It also distinguishes the validity of the firm CASAL which is truly market-oriented and intent on constantly improving the quality of its product and its services as well.

MATERIALS AND COMPONENTS

1 pc extruded aluminium male hinge alloy 6060
1 pc extruded aluminium female hinge alloy 6060
1 nylon bush 6.6
2 stainless steel securing plates aisi 430
4 M5 steel screws aisi 304
1 stainless steel pin, d. 7x L.76

FINISHES

Anodized: silver, bronze, electro colour, black elox
Ral: standard, colour chart
Specials: gold

PACKS

50 pcs in each pack

OPTIONAL (on request)

Also available in 3-wings version

Paumelle Quik a montaggio rapido



CARACTERISTIQUES

La paumelle QUIK a une portée de 65 Kg par paire de paumelles (100 Kg pour la version à 3 lames) et c'est une nouveauté proposée par CASAL, étudiée et réalisée dans le but de réduire la durée d'installation. Les caractéristiques de sa claue et de son axe en acier permettent de récupérer les jeux entre les profilés et facilitent les opérations de montage de la menuiserie. Le choix des matériaux en acier inox pour les plaques de fixation de l'axe et des vis garantit la sûreté et la qualité de ce produit. Il démontre également le sérieux de l'entreprise CASAL, véritablement à l'écoute du marché et désireuse d'améliorer systématiquement la qualité de ses produits et des services qu'elle propose à ses clients, mais aussi aux consommateurs en general.

MATERIAUX ET PIECES

1 Paumelle en aluminium extrudé male alliage 6060
1 paumelle en aluminium extrudé femelle alliage 6060
1 douille en nylon 6.6
2 plaques de fixation en acier inox aisi 430
4 vis en acier aisi 304 M5
1 axe en acier inox d. 7xL.76

FINITIONS

Anodisées: argent, bronze, couleur électrique, elox noir
Ral: standard, tableau des couleurs
Speciale: or

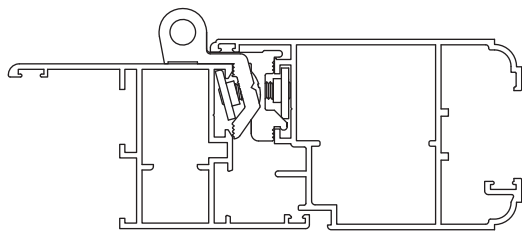
EMBALLAGES

50 pièces par boîte

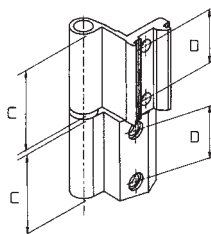
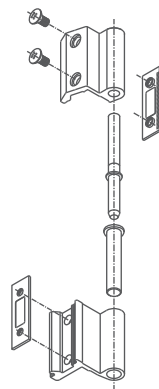
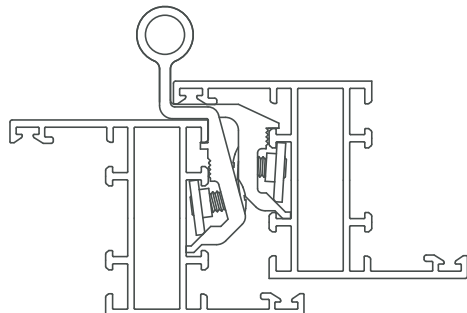
OPTIONNEL (sur demande)

Paumelles aussi disponibles à 3 lames

060/2 (CAMERA EUROPEA)



060/6 (ERRE 40)



060/7

ART.	Descrizione profilati/Description of sections/Type of profilé	Quote/Dimensions/Cotes	
		C	D
060/1	ALL.CO 5 SORMONTO	45	30
060/2	DOMAL STOPPER/EXPORT 40-50/NC INTERNAT. (CAMERA EUROPEA)	45	30
060/3	DOMAL 40	45	30
060/4	ERRE 40-50 III^ ANTA	45	30
060/5	DOMAL STOPPER III^ ANTA	45	30
060/6	ERRE 40	45	30
060/7	NC NUOVO	45	30
060/9	NC INTERNATIONAL III^ ANTA	45	30
060/10	ERRE 40 COLLO LUNGO	45	30
060/11	QUIK EKIP 40 SORMONTO	45	30
060/12	PERS.EPOCAL	45	30

Varianti/Variants

ART.	Componenti/Components/pieces
061/	Perno antisfilamento zincato-viti zincate-piastrina inox/ Galvanised anti-lift pin - galvanised screws - stainless steel plate/ Axe anti-soulèvement zingué - vis zinguées - plaque inox
062/	Perno antisfilamento zincato-viti inox-piastrina inox/ Galvanised anti-lift pin - stainless steel screws - stainless steel plate/ Axe anti-soulèvement zingué - vis inox - plaque inox
063/	Perno antisfilamento zincato-viti zincate-piastrina zama/ Galvanised anti-lift pin - galvanised screws - zamak plate/ Axe anti-soulèvement zingué - vis zinguées - plaque Zama
064/	Perno antisfilamento zincato-viti inox-piastrina zama/ Galvanised anti-lift pin - stainless steel screws - zamak plate/ Axe anti-soulèvement zingué - vis inox - plaque Zama
065/	Perno antisfilamento inox-viti inox-piastrina zama/ Stainless steel anti-lift pin - stainless steel screws - zamak plate/ Axe anti-soulèvement inox - vis inox - plaque Zama

Cerniera Quik ad aggancio rapido



CARATTERISTICHE

La cerniera QUIK ha una portata di 65 Kg per coppia di cerniere (100 Kg per la versione a 3 ali), ed è stata studiata e realizzata dalla CASAL con lo scopo di ridurre i tempi d'installazione; le caratteristiche della piastrina e del perno antisfilamento in acciaio consentono di recuperare le tolleranze tra i profili facilitando l'operazione del montaggio del serramento. La scelta dell'acciaio inox per le piastrine di fissaggio, del perno e delle viti è la garanzia di qualità del prodotto. Ciò rappresenta la validità dell'azienda CASAL, orientata alla soddisfazione del cliente e a migliorare la qualità dei prodotti e dei servizi offerti ai clienti e consumatori.

MATERIALI E COMPONENTI

1 pz. Cerniera in alluminio estruso maschio QUIK lega 6060
1 pz. Cerniera in alluminio estruso femmina QUIK lega 6060
1 boccola in nylon 6.6
2 piastrine di fissaggio in acciaio inox aisi 430
4 viti in acciaio inox 304 da M5
1 perno antisfilamento in acciaio inox 7x76

FINITURE

Anodizzato: argento, bronzo, elettrocolore, elox nero.
Verniciato: Ral standard vedi tabella colori
Speciali: Oro

CONFEZIONI

50 pz per confezione

VARIANTI

Le cerniere sono disponibili anche nella versione a 3 ali

Quik Hinge for quick installation



CHARACTERISTICS

The QUIK hinge has a loading capacity of 65 Kg for a pair of hinges (100 Kg for the 3-wings version), and it was designed and made by CASAL in order to ensure rapid application and reduce the installation times, thanks to the way of the plate and steel pin are made up. The tolerances, between the sections can be taken up, facilitating installation on the doors. The use of the stainless steel for the pin's anchoring plates and screws are the guarantee of product quality. It also distinguishes the validity of the firm CASAL which is truly market-oriented and intent on constantly improving the quality of its product and its services as well.

MATERIALS AND COMPONENTS

1 pc extruded aluminium male hinge alloy 6060
1 pc extruded aluminium female hinge alloy 6060
1 nylon bush 6.6
2 stainless steel securing plates aisi 430
4 M5 steel screws aisi 304
1 stainless steel pin, d. 7x L.76

FINISHES

Anodized: silver, bronze, electro colour, black elox
Ral: standard, colour chart
Specials: gold

PACKS

50 pcs in each pack

OPTIONAL (on request)

Also available in 3-wings version

Paumelle Quik a montage rapide



CARACTERISTIQUES

La paumelle QUIK a une portée de 65 Kg par paire de paumelles (100 Kg pour la version à 3 lames) et c'est une nouveauté proposée par CASAL, étudiée et réalisée dans le but de réduire la durée d'installation. Les caractéristiques de sa claue et de son axe en acier permettent de récupérer les jeux entre les profilés et facilitent les opérations de montage de la menuiserie. Le choix des matériaux en acier inox pour les plaques de fixation de l'axe et des vis garantit la sûreté et la qualité de ce produit. Il démontre également le sérieux de l'entreprise CASAL, véritablement à l'écoute du marché et désireuse d'améliorer systématiquement la qualité de ses produits et des services qu'elle propose à ses clients, mais aussi aux consommateurs en general.

MATERIAUX ET PIECES

1 Paumelle en aluminium extrudé male alliage 6060
1 paumelle en aluminium extrudé femelle alliage 6060
1 douille en nylon 6.6
2 plaques de fixation en acier inox aisi 430
4 vis en acier aisi 304 M5
1 axe en acier inox d. 7xL.76

FINITIONS

Anodisées: argent, bronze, couleur électrique, elox noir
Ral: standard, tableau des couleurs
Speciale: or

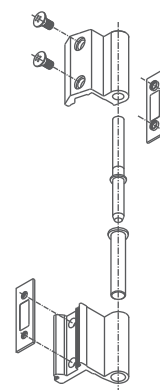
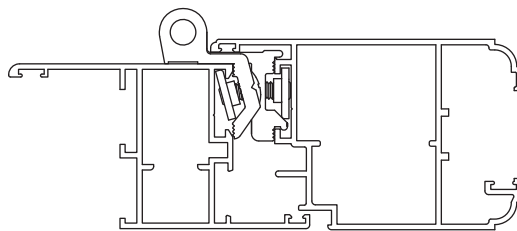
EMBALLAGES

50 pièces par boîte

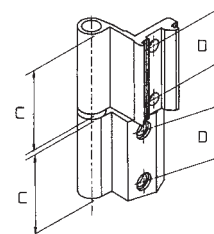
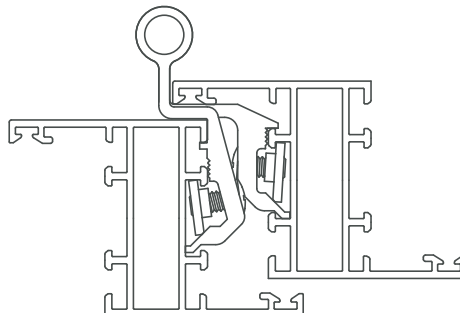
OPTIONNEL (sur demande)

Paumelles aussi disponibles à 3 lames

060/2 (CAMERA EUROPEA)



060/6 (ERRE 40)



060/09

ART.	Descrizione profilati/Description of sections/Type of profilé	Quote/Dimensions/Cotes	
		C	D
060/1	ALL.CO 5 SORMONTO	45	30
060/2	DOMAL STOPPER/EXPORT 40-50/NC INTERNAT. (CAMERA EUROPEA)	45	30
060/3	DOMAL 40	45	30
060/4	ERRE 40-50 III^ ANTA	45	30
060/5	DOMAL STOPPER III^ ANTA	45	30
060/6	ERRE 40	45	30
060/7	NC NUOVO	45	30
060/9	NC INTERNATIONAL III^ ANTA	45	30
060/10	ERRE 40 COLLO LUNGO	45	30
060/11	QUIK EKIP 40 SORMONTO	45	30
060/12	PERS.EPOCAL	45	30

Varianti/Variants

ART.	Componenti/Components/pieces
061/	Perno antisfilamento zincato-viti zincate-piastrina inox/ Galvanised anti-lift pin - galvanised screws - stainless steel plate / Axe anti-soulèvement zingué - vis zinguées - plaque inox
062/	Perno antisfilamento zincato-viti inox-piastrina inox/ Galvanised anti-lift pin - stainless steel screws - stainless steel plate/Axe anti-soulèvement zingué - vis inox - plaque inox
063/	Perno antisfilamento zincato-viti zincate-piastrina zama/ Galvanised anti-lift pin - galvanised screws - zamak plate / Axe anti-soulèvement zingué - vis zinguées - plaque Zama
064/	Perno antisfilamento zincato-viti inox-piastrina zama/ Galvanised anti-lift pin - stainless steel screws - zamak plate/Axe anti-soulèvement zingué - vis inox - plaque Zama
065/	Perno antisfilamento inox-viti inox-piastrina zama/ Stainless steel anti-lift pin - stainless steel screws - zamak plate/Axe anti-soulèvement inox - vis inox - plaque Zama

Cerniera Quik ad aggancio rapido

Quik Hinge for quick installation

Paumelle Quik a montaggio rapido

CARATTERISTICHE

La cerniera QUIK ha una portata di 65 Kg per coppia di cerniere (100 Kg per la versione a 3 ali), ed è stata studiata e realizzata dalla CASAL con lo scopo di ridurre i tempi d'installazione; le caratteristiche della piastrina e del perno antisfilamento in acciaio consentono di recuperare le tolleranze tra i profili facilitando l'operazione del montaggio del serramento. La scelta dell'acciaio inox per le piastrine di fissaggio, del perno e delle viti è la garanzia di qualità del prodotto. Ciò rappresenta la validità dell'azienda CASAL, orientata alla soddisfazione del cliente e a migliorare la qualità dei prodotti e dei servizi offerti ai clienti e consumatori.

CHARACTERISTICS

The QUIK hinge has a loading capacity of 65 Kg for a pair of hinges (100 Kg for the 3-wings version), and it was designed and made by CASAL in order to ensure rapid application and reduce the installation times, thanks to the way of the plate and steel pin are made up. The tolerances, between the sections can be taken up, facilitating installation on the doors. The use of the stainless steel for the pin's anchoring plates and screws are the guarantee of product quality. It also distinguishes the validity of the firm CASAL which is truly market-oriented and intent on constantly improving the quality of its product and its services as well.

CARACTERISTIQUES

La paumelle QUIK a une portée de 65 Kg par paire de paumelles (100 Kg pour la version à 3 lames) et c'est une nouveauté proposée par CASAL, étudiée et réalisée dans le but de réduire la durée d'installation. Les caractéristiques de sa claqué et de son axe en acier permettent de récupérer les jeux entre les profilés et facilitent les opérations de montage de la menuiserie. Le choix des matériaux en acier inox pour les plaques de fixation de l'axe et des vis garantit la sûreté et la qualité de ce produit. Il démontre également le sérieux de l'entreprise CASAL, véritablement à l'écoute du marché et désireuse d'améliorer systématiquement la qualité de ses produits et des services qu'elle propose à ses clients, mais aussi aux consommateurs en général.

MATERIALI E COMPONENTI

1 pz. Cerniera in alluminio estruso maschio QUIK lega 6060
1 pz. Cerniera in alluminio estruso femmina QUIK lega 6060
1 boccola in nylon 6.6
2 piastrine di fissaggio in acciaio inox aisi 430
4 viti in acciaio inox 304 da M5
1 perno antisfilamento in acciaio inox 7x76

MATERIALS AND COMPONENTS

1 pc extruded aluminium male hinge alloy 6060
1 pc extruded aluminium female hinge alloy 6060
1 nylon bush 6.6
2 stainless steel securing plates aisi 430
4 M5 steel screws aisi 304
1 stainless steel pin, d. 7x L.76

MATERIAUX ET PIECES

1 Paumelle en aluminium extrudé male alliage 6060
1 paumelle en aluminium extrudé femelle alliage 6060
1 douille en nylon 6.6
2 plaques de fixation en acier inox aisi 430
4 vis en acier aisi 304 M5
1 axe en acier inox d. 7xL.76

FINITURE

Anodizzato: argento, bronzo, elettrocolore, elox nero.
Verniciato: Ral standard vedi tabella colori
Speciali: Oro

FINISHES

Anodized: silver, bronze, electro colour, black elox
Ral: standard, colour chart
Specials: gold

FINITIONS

Anodisées: argent, bronze, couleur électrique, elox noir
Ral: standard, tableau des couleurs
Speciale: or

CONFEZIONI

50 pz per confezione

PACKS

50 pcs in each pack

EMBALLAGES

50 pièces par boîte

VARIANTI

Le cerniere sono disponibili anche nella versione a 3 ali

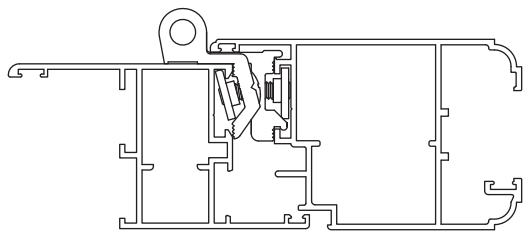
OPTIONAL (on request)

Also available in 3-wings version

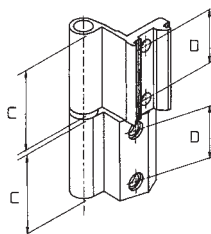
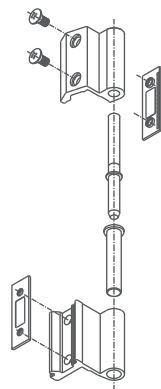
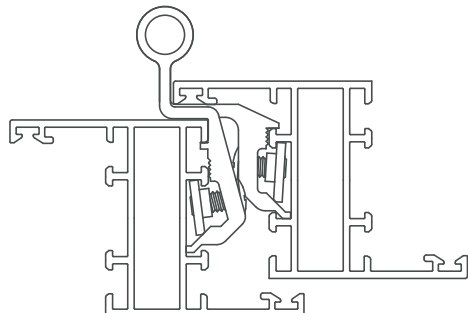
OPTIONNEL (sur demande)

Paumelles aussi disponibles à 3 lames

060/2 (CAMERA EUROPEA)



060/6 (ERRE 40)



060/10

ART.	Descrizione profilati/Description of sections/Type of profilé	Quote/Dimensions/Cotes	
		C	D
060/1	ALL.CO 5 SORMONTO	45	30
060/2	DOMAL STOPPER/EXPORT 40-50/NC INTERNAT. (CAMERA EUROPEA)	45	30
060/3	DOMAL 40	45	30
060/4	ERRE 40-50 III^ ANTA	45	30
060/5	DOMAL STOPPER III^ ANTA	45	30
060/6	ERRE 40	45	30
060/7	NC NUOVO	45	30
060/9	NC INTERNATIONAL III^ ANTA	45	30
060/10	ERRE 40 COLLO LUNGO	45	30
060/11	QUIK EKIP 40 SORMONTO	45	30
060/12	PERS.EPOCAL	45	30

Varianti/Variants

ART.	Componenti/Components/pieces
061/	Perno antisfilamento zincato-viti zincate-piastrina inox/ Galvanised anti-lift pin - galvanised screws - stainless steel plate/ Axe anti-soulèvement zingué - vis zinguées - plaque inox
062/	Perno antisfilamento zincato-viti inox-piastrina inox/ Galvanised anti-lift pin - stainless steel screws - stainless steel plate/ Axe anti-soulèvement zingué - vis inox - plaque inox
063/	Perno antisfilamento zincato-viti zincate-piastrina zama/ Galvanised anti-lift pin - galvanised screws - zamak plate/ Axe anti-soulèvement zingué - vis zinguées - plaque Zama
064/	Perno antisfilamento zincato-viti inox-piastrina zama/ Galvanised anti-lift pin - stainless steel screws - zamak plate/ Axe anti-soulèvement zingué - vis inox - plaque Zama
065/	Perno antisfilamento inox-viti inox-piastrina zama/ Stainless steel anti-lift pin - stainless steel screws - zamak plate/ Axe anti-soulèvement inox - vis inox - plaque Zama

Cerniera Quik ad aggancio rapido



CARATTERISTICHE

La cerniera QUIK ha una portata di 65 Kg per coppia di cerniere (100 Kg per la versione a 3 ali), ed è stata studiata e realizzata dalla CASAL con lo scopo di ridurre i tempi d'installazione; le caratteristiche della piastrina e del perno antisfilamento in acciaio consentono di recuperare le tolleranze tra i profili facilitando l'operazione del montaggio del serramento. La scelta dell'acciaio inox per le piastrine di fissaggio, del perno e delle viti è la garanzia di qualità del prodotto. Ciò rappresenta la validità dell'azienda CASAL, orientata alla soddisfazione del cliente e a migliorare la qualità dei prodotti e dei servizi offerti ai clienti e consumatori.

MATERIALI E COMPONENTI

1 pz. Cerniera in alluminio estruso maschio QUIK lega 6060
1 pz. Cerniera in alluminio estruso femmina QUIK lega 6060
1 boccola in nylon 6.6
2 piastrine di fissaggio in acciaio inox aisi 430
4 viti in acciaio inox 304 da M5
1 perno antisfilamento in acciaio inox 7x76

FINITURE

Anodizzato: argento, bronzo, elettrocolore, elox nero.
Verniciato: Ral standard vedi tabella colori
Speciali: Oro

CONFEZIONI

50 pz per confezione

VARIANTI

Le cerniere sono disponibili anche nella versione a 3 ali

Quik Hinge for quick installation



CHARACTERISTICS

The QUIK hinge has a loading capacity of 65 Kg for a pair of hinges (100 Kg for the 3-wings version), and it was designed and made by CASAL in order to ensure rapid application and reduce the installation times, thanks to the way of the plate and steel pin are made up. The tolerances, between the sections can be taken up, facilitating installation on the doors. The use of the stainless steel for the pin's anchoring plates and screws are the guarantee of product quality. It also distinguishes the validity of the firm CASAL which is truly market-oriented and intent on constantly improving the quality of its product and it's services as well.

MATERIALS AND COMPONENTS

1 pc extruded aluminium male hinge alloy 6060
1 pc extruded aluminium female hinge alloy 6060
1 nylon bush 6.6
2 stainless steel securing plates aisi 430
4 M5 steel screws aisi 304
1 stainless steel pin, d. 7x L.76

FINISHES

Anodized: silver, bronze, electro colour, black elox
Ral: standard, colour chart
Specials: gold

PACKS

50 pcs in each pack

OPTIONAL (on request)

Also available in 3-wings version

Paumelle Quik a montage rapide



CARACTERISTIQUES

La paumelle QUIK a une portée de 65 Kg par paire de paumelles (100 Kg pour la version à 3 lames) et c'est une nouveauté proposée par CASAL, étudiée et réalisée dans le but de réduire la durée d'installation. Les caractéristiques de sa claque et de son axe en acier permettent de récupérer les jeux entre les profilés et facilitent les opérations de montage de la menuiserie. Le choix des matériaux en acier inox pour les plaques de fixation de l'axe et des vis garantit la sûreté et la qualité de ce produit. Il démontre également le sérieux de l'entreprise CASAL, véritablement à l'écoute du marché et désireuse d'améliorer systématiquement la qualité de ses produits et des services qu'elle propose à ses clients, mais aussi aux consommateurs en general.

MATERIAUX ET PIECES

1 Paumelle en aluminium extrudé male alliage 6060
1 paumelle en aluminium extrudé femelle alliage 6060
1 douille en nylon 6.6
2 plaques de fixation en acier inox aisi 430
4 vis en acier aisi 304 M5
1 axe en acier inox d. 7xL.76

FINITIONS

Anodisées: argent, bronze, couleur électrique, elox noir
Ral: standard, tableau des couleurs
Speciale: or

EMBALLAGES

50 pièces par boîte

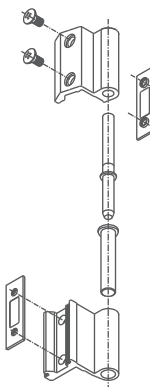
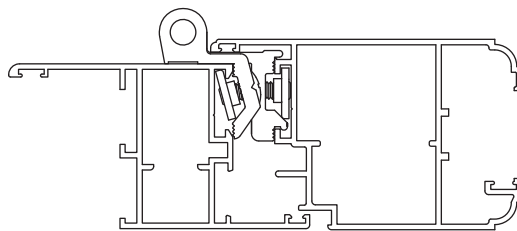
OPTIONNEL (sur demande)

Paumelles aussi disponibles à 3 lames

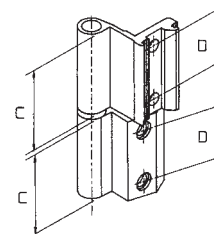
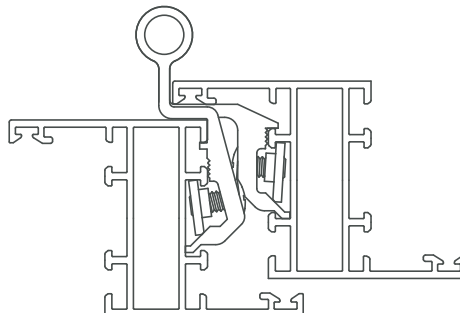


060/11

060/2 (CAMERA EUROPEA)



060/6 (ERRE 40)



ART.	Descrizione profilati/Description of sections/Type of profilé	Quote/Dimensions/Cotes	
		C	D
060/1	ALL.CO 5 SORMONTO	45	30
060/2	DOMAL STOPPER/EXPORT 40-50/NC INTERNAT. (CAMERA EUROPEA)	45	30
060/3	DOMAL 40	45	30
060/4	ERRE 40-50 III^ ANTA	45	30
060/5	DOMAL STOPPER III^ ANTA	45	30
060/6	ERRE 40	45	30
060/7	NC NUOVO	45	30
060/9	NC INTERNATIONAL III^ ANTA	45	30
060/10	ERRE 40 COLLO LUNGO	45	30
060/11	QUIK EKIP 40 SORMONTO	45	30
060/12	PERS.EPOCAL	45	30

Varianti/Variants

ART.	Componenti/Components/pieces
061/	Perno antisfilamento zincato-viti zincate-piastrina inox/ Galvanised anti-lift pin - galvanised screws - stainless steel plate / Axe anti-soulèvement zingué - vis zinguées - plaque inox
062/	Perno antisfilamento zincato-viti inox-piastrina inox/ Galvanised anti-lift pin - stainless steel screws - stainless steel plate/Axe anti-soulèvement zingué - vis inox - plaque inox
063/	Perno antisfilamento zincato-viti zincate-piastrina zama/ Galvanised anti-lift pin - galvanised screws - zamak plate / Axe anti-soulèvement zingué - vis zinguées - plaque Zama
064/	Perno antisfilamento zincato-viti inox-piastrina zama/ Galvanised anti-lift pin - stainless steel screws - zamak plate/Axe anti-soulèvement zingué - vis inox - plaque Zama
065/	Perno antisfilamento inox-viti inox-piastrina zama/ Stainless steel anti-lift pin - stainless steel screws - zamak plate/Axe anti-soulèvement inox - vis inox - plaque Zama

Cerniera Quik ad aggancio rapido

Quik Hinge for quick installation

Paumelle Quik a montaggio rapido

CARATTERISTICHE

La cerniera QUIK ha una portata di 65 Kg per coppia di cerniere (100 Kg per la versione a 3 ali), ed è stata studiata e realizzata dalla CASAL con lo scopo di ridurre i tempi d'installazione; le caratteristiche della piastrina e del perno antisfilamento in acciaio consentono di recuperare le tolleranze tra i profili facilitando l'operazione del montaggio del serramento. La scelta dell'acciaio inox per le piastrine di fissaggio, del perno e delle viti è la garanzia di qualità del prodotto. Ciò rappresenta la validità dell'azienda CASAL, orientata alla soddisfazione del cliente e a migliorare la qualità dei prodotti e dei servizi offerti ai clienti e consumatori.

CHARACTERISTICS

The QUIK hinge has a loading capacity of 65 Kg for a pair of hinges (100 Kg for the 3-wings version), and it was designed and made by CASAL in order to ensure rapid application and reduce the installation times, thanks to the way of the plate and steel pin are made up. The tolerances, between the sections can be taken up, facilitating installation on the doors. The use of the stainless steel for the pin's anchoring plates and screws are the guarantee of product quality. It also distinguishes the validity of the firm CASAL which is truly market-oriented and intent on constantly improving the quality of its product and its services as well.

CARACTERISTIQUES

La paumelle QUIK a une portée de 65 Kg par paire de paumelles (100 Kg pour la version à 3 lames) et c'est une nouveauté proposée par CASAL, étudiée et réalisée dans le but de réduire la durée d'installation. Les caractéristiques de sa claqué et de son axe en acier permettent de récupérer les jeux entre les profilés et facilitent les opérations de montage de la menuiserie. Le choix des matériaux en acier inox pour les plaques de fixation de l'axe et des vis garantit la sûreté et la qualité de ce produit. Il démontre également le sérieux de l'entreprise CASAL, véritablement à l'écoute du marché et désireuse d'améliorer systématiquement la qualité de ses produits et des services qu'elle propose à ses clients, mais aussi aux consommateurs en général.

MATERIALI E COMPONENTI

1 pz. Cerniera in alluminio estruso maschio QUIK lega 6060
1 pz. Cerniera in alluminio estruso femmina QUIK lega 6060
1 boccola in nylon 6.6
2 piastrine di fissaggio in acciaio inox aisi 430
4 viti in acciaio inox 304 da M5
1 perno antisfilamento in acciaio inox 7x76

MATERIALS AND COMPONENTS

1 pc extruded aluminium male hinge alloy 6060
1 pc extruded aluminium female hinge alloy 6060
1 nylon bush 6.6
2 stainless steel securing plates aisi 430
4 M5 steel screws aisi 304
1 stainless steel pin, d. 7x L.76

MATERIAUX ET PIECES

1 Paumelle en aluminium extrudé male alliage 6060
1 paumelle en aluminium extrudé femelle alliage 6060
1 douille en nylon 6.6
2 plaques de fixation en acier inox aisi 430
4 vis en acier aisi 304 M5
1 axe en acier inox d. 7xL.76

FINITURE

Anodizzato: argento, bronzo, elettrocolore, elox nero.
Verniciato: Ral standard vedi tabella colori
Speciali: Oro

FINISHES

Anodized: silver, bronze, electro colour, black elox
Ral: standard, colour chart
Specials: gold

FINITIONS

Anodisées: argent, bronze, couleur électrique, elox noir
Ral: standard, tableau des couleurs
Speciale: or

CONFEZIONI

50 pz per confezione

PACKS

50 pcs in each pack

EMBALLAGES

50 pièces par boîte

VARIANTI

Le cerniere sono disponibili anche nella versione a 3 ali

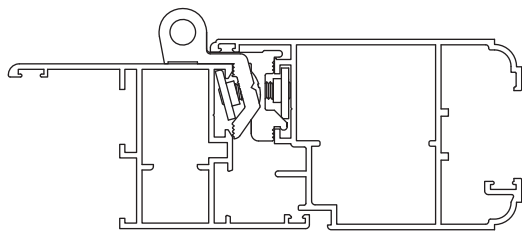
OPTIONAL (on request)

Also available in 3-wings version

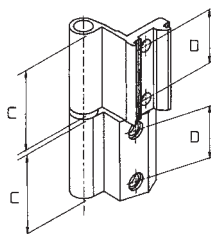
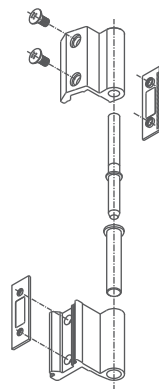
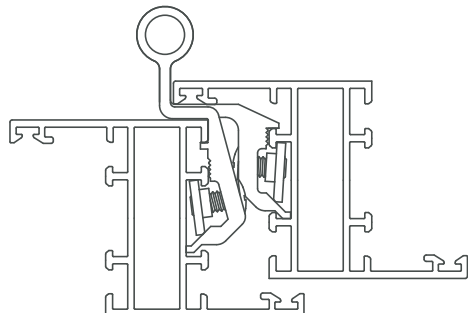
OPTIONNEL (sur demande)

Paumelles aussi disponibles à 3 lames

060/2 (CAMERA EUROPEA)



060/6 (ERRE 40)



060/12

ART.	Descrizione profilati/Description of sections/Type of profilé	Quote/Dimensions/Cotes	
		C	D
060/1	ALL.CO 5 SORMONTO	45	30
060/2	DOMAL STOPPER/EXPORT 40-50/NC INTERNAT. (CAMERA EUROPEA)	45	30
060/3	DOMAL 40	45	30
060/4	ERRE 40-50 III^ ANTA	45	30
060/5	DOMAL STOPPER III^ ANTA	45	30
060/6	ERRE 40	45	30
060/7	NC NUOVO	45	30
060/9	NC INTERNATIONAL III^ ANTA	45	30
060/10	ERRE 40 COLLO LUNGO	45	30
060/11	QUIK EKIP 40 SORMONTO	45	30
060/12	PERS.EPOCAL	45	30

Varianti/Variants

ART.	Componenti/Components/pieces
061/	Perno antisfilamento zincato-viti zincate-piastrina inox/ Galvanised anti-lift pin - galvanised screws - stainless steel plate/ Axe anti-soulèvement zingué - vis zinguées - plaque inox
062/	Perno antisfilamento zincato-viti inox-piastrina inox/ Galvanised anti-lift pin - stainless steel screws - stainless steel plate/ Axe anti-soulèvement zingué - vis inox - plaque inox
063/	Perno antisfilamento zincato-viti zincate-piastrina zama/ Galvanised anti-lift pin - galvanised screws - zamak plate/ Axe anti-soulèvement zingué - vis zinguées - plaque Zama
064/	Perno antisfilamento zincato-viti inox-piastrina zama/ Galvanised anti-lift pin - stainless steel screws - zamak plate/ Axe anti-soulèvement zingué - vis inox - plaque Zama
065/	Perno antisfilamento inox-viti inox-piastrina zama/ Stainless steel anti-lift pin - stainless steel screws - zamak plate/ Axe anti-soulèvement inox - vis inox - plaque Zama

Cerniera Quik ad aggancio rapido



CARATTERISTICHE

La cerniera QUIK ha una portata di 65 Kg per coppia di cerniere (100 Kg per la versione a 3 ali), ed è stata studiata e realizzata dalla CASAL con lo scopo di ridurre i tempi d'installazione; le caratteristiche della piastrina e del perno antisfilamento in acciaio consentono di recuperare le tolleranze tra i profili facilitando l'operazione del montaggio del serramento. La scelta dell'acciaio inox per le piastrine di fissaggio, del perno e delle viti è la garanzia di qualità del prodotto. Ciò rappresenta la validità dell'azienda CASAL, orientata alla soddisfazione del cliente e a migliorare la qualità dei prodotti e dei servizi offerti ai clienti e consumatori.

MATERIALI E COMPONENTI

1 pz. Cerniera in alluminio estruso maschio QUIK lega 6060
1 pz. Cerniera in alluminio estruso femmina QUIK lega 6060
1 boccola in nylon 6.6
2 piastrine di fissaggio in acciaio inox aisi 430
4 viti in acciaio inox 304 da M5
1 perno antisfilamento in acciaio inox 7x76

FINITURE

Anodizzato: argento, bronzo, elettrocolore, elox nero.
Verniciato: Ral standard vedi tabella colori
Speciali: Oro

CONFEZIONI

50 pz per confezione

VARIANTI

Le cerniere sono disponibili anche nella versione a 3 ali

Quik Hinge for quick installation



CHARACTERISTICS

The QUIK hinge has a loading capacity of 65 Kg for a pair of hinges (100 Kg for the 3-wings version), and it was designed and made by CASAL in order to ensure rapid application and reduce the installation times, thanks to the way of the plate and steel pin are made up. The tolerances, between the sections can be taken up, facilitating installation on the doors. The use of the stainless steel for the pin's anchoring plates and screws are the guarantee of product quality. It also distinguishes the validity of the firm CASAL which is truly market-oriented and intent on constantly improving the quality of its product and it's services as well.

MATERIALS AND COMPONENTS

1 pc extruded aluminium male hinge alloy 6060
1 pc extruded aluminium female hinge alloy 6060
1 nylon bush 6.6
2 stainless steel securing plates aisi 430
4 M5 steel screws aisi 304
1 stainless steel pin, d. 7x L.76

FINISHES

Anodized: silver, bronze, electro colour, black elox
Ral: standard, colour chart
Specials: gold

PACKS

50 pcs in each pack

OPTIONAL (on request)

Also available in 3-wings version

Paumelle Quik a montaggio rapido



CARACTERISTIQUES

La paumelle QUIK a une portée de 65 Kg par paire de paumelles (100 Kg pour la version à 3 lames) et c'est une nouveauté proposée par CASAL, étudiée et réalisée dans le but de réduire la durée d'installation. Les caractéristiques de sa claque et de son axe en acier permettent de récupérer les jeux entre les profilés et facilitent les opérations de montage de la menuiserie. Le choix des matériaux en acier inox pour les plaques de fixation de l'axe et des vis garantit la sûreté et la qualité de ce produit. Il démontre également le sérieux de l'entreprise CASAL, véritablement à l'écoute du marché et désireuse d'améliorer systématiquement la qualité de ses produits et des services qu'elle propose à ses clients, mais aussi aux consommateurs en general.

MATERIAUX ET PIECES

1 Paumelle en aluminium extrudé male alliage 6060
1 paumelle en aluminium extrudé femelle alliage 6060
1 douille en nylon 6.6
2 plaques de fixation en acier inox aisi 430
4 vis en acier aisi 304 M5
1 axe en acier inox d. 7xL.76

FINITIONS

Anodisées: argent, bronze, couleur électrique, elox noir
Ral: standard, tableau des couleurs
Speciale: or

EMBALLAGES

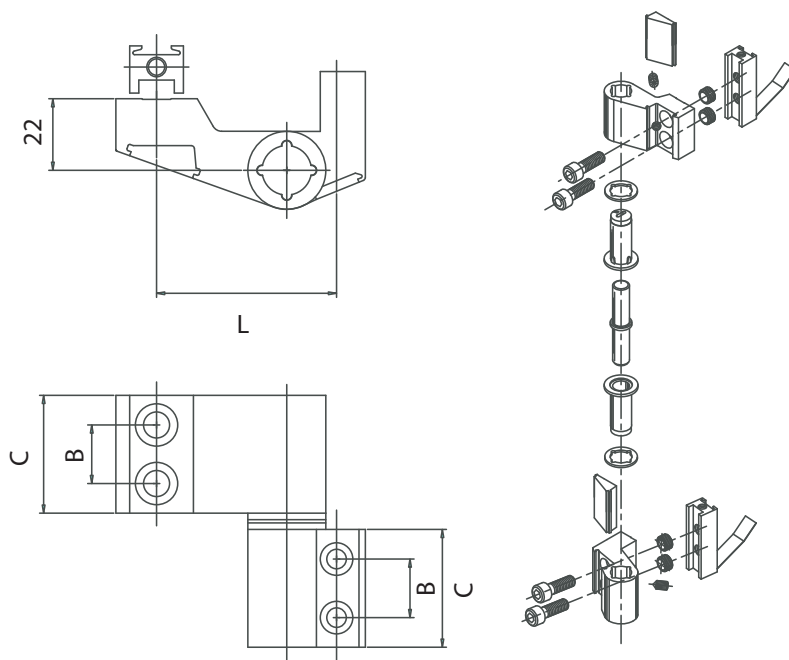
50 pièces par boîte

OPTIONNEL (sur demande)

Paumelles aussi disponibles à 3 lames

Cerniera Hercules

165



ART.	Descrizione profilati/Description of sections/Type of profilé	Quote/Dimensions/Cotes		
		C	B	L
165	HERCULES maschio ristretto gradino da 8 mm/ HERCULES narrow male hinge 8 mm adapter/ HERCULES mâle étroit palier de 8 mm	36,2	18	55,3-2 parts
166	HERCULES maschio ristretto gradino da 7 mm/ HERCULES narrow male hinge 7 mm adapter/ HERCULES mâle étroit palier de 7 mm	36,2	18	55,3-2 parts
167	HERCULES maschio ristretto gradino da 5 mm/ HERCULES narrow male hinge 5 mm adapter/ HERCULES mâle étroit palier de 5 mm	36,2	18	55,3-2 parts
168	HERCULES maschio ristretto a base piana/ HERCULES flat base narrow male hinge/ HERCULES mâle étroit à base plane	36,2	18	55,3-2 parts
169	HERCULES interasse 42/ HERCULES centre distance 42/ HERCULES entraxe 42	36,2	18	42-2 parts
170	HERCULES interasse 61/ HERCULES centre distance 61/ HERCULES entraxe 61	36,2	18	61-2 parts
171	HERCULES interasse 80/ HERCULES centre distance 80/ HERCULES entraxe 80	36,2	18	80-2 parts
172	HERCULES 3 ALI interasse 61/ HERCULES 3 WING hinge with centre distance 61/ HERCULES 3 LAMES entraxe 61	36,2	18	61-3 parts
173	HERCULES 3 ALI interasse 80/ HERCULES 3 WING hinge with centre distance 80/ HERCULES 3 LAMES entraxe 80	36,2	18	80-3 parts
305	CERNIERA SPECIALE REUNION/ SPECIAL REUNION HINGE/ PAUMELLE SPECIALE REUNION			
306	CERNIERA SPECIALE REUNION 3 ALI/ SPECIAL 3 WING REUNION HINGE/ PAUMELLE SPECIALE REUNION 3 LAMES			

CERNIERA HERCULES

CARATTERISTICHE

Cerniera studiata e progettata per porte di sicurezza e porte blindate, grazie alle sue particolari caratteristiche di montaggio e a una portata di 140 Kg per coppia di cerniere. La piastrina di copertura delle viti di fissaggio è bloccata con un grano dalla parte interna della cerniera, e può essere rimossa solo con l'apertura del serramento. I componenti in dotazione consentono un facile utilizzo e un semplificato sistema di montaggio: piastrina di fissaggio a molla, guidata da un'asta filettata di diametro 6 mm, e dima per la foratura (opzionale).

MATERIALI E COMPONENTI

1 pz. Cerniera in alluminio estruso maschio int. 15
1 pz. Cerniera in alluminio estruso femmina int. 40
2 boccole eccentriche in nylon 6.6 FV 30%
2 piastrine di copertura in alluminio estruso
1 perno d. 12xL.67 inox 304
2 piastrine di fissaggio in alluminio estruso grezzo
1 molla per piastrine di fissaggio in resina
2 rondelle di spessore in nylon
2 viti TCEI M8x25 zincate
2 viti TCEI M6x40 zincate
2 boccole guida zigrinate d. 8x11 zincate
2 grani a coppa M6x10 inox

FINITURE

Anodizzato: argento, bronzo, elettrocolore, elox nero.
Verniciato: Ral standard vedi tabella colori
Speciali: Oro

CONFEZIONI

25 pz per confezione

HERCULES HINGE

CHARACTERISTICS

The hinge was studied and designed for safety and armoured doors, thanks to its specific assembling features and a loading capacity of 140 Kg per pair of hinges. The plate covering the securing screws is fixed with a dowel from the inside of the hinge and can only be removed when the door is open. The components provided guarantee an easy use and a simple installation: spring fixing plate, guided by a threaded rod with diameter of 6 mm, and a template for the drilling (optional).

MATERIALS AND COMPONENTS

1 pc extruded aluminium male hinge, centre distance 15
1 pc extruded aluminium female hinge, centre distance 40
2 nylon eccentric bushes 6.6 FV 30%
2 extruded aluminium covering plates
1 pin d. 12xL67 inox 304
2 extruded aluminium fixing plates
1 springs for the plate
2 thick washers
2 M8x25 hexagonal headed screws
2 M6x40 hexagonal headed screws
2 knurled guide bushes, d.8x11
2 M6x10 inox dowels

FINISHES

Anodized: silver, bronze, electro colour, black elox
Ral: standard, colour chart
Specials: gold

PACKS

25 pcs in each pack

PAUMELLE HERCULES

CARACTERISTIQUES

La charnière a été étudié et conçu pour les portes blindées, grâce à ses caractéristiques de montage et à une capacité de chargement de 140 kg par paire de charnières. La plaque de recouvrement des vis de fixation est bloquée par un boulon à l'intérieur de la charnière. Elle peut être démontée seulement lors de l'ouverture de la menuiserie. Les éléments fournis - plaque de fixation à ressort, guidée par une tige filetée de 6 mm de diamètre, et gabarit pour le perçage (optionnel) - permettent une utilisation facile et un système de montage simplifié.

MATERIAUX ET PIECES

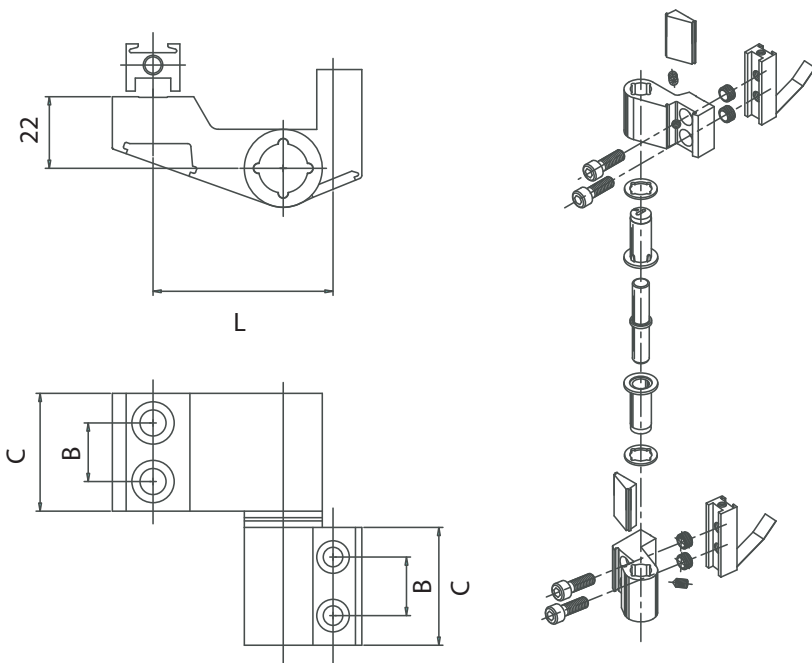
1 Paumelle en aluminium extrudé mâle int. 15
1 paumelle en aluminium extrudé femelle int. 40
2 douilles excentriques 6.6 FV 30%
2 plaques de recouvrement
1 axe d. 12xL.67 inox 304
2 plaques de fixation
1 ressorts pour plaque
2 rondelles épaisses
2 vis TCEI M8x25 zingué
2 vis TCEI M6x40 zingué
2 douilles de guidage moletées d. 8x11
2 boulons à pointe M6x10

FINITIONS

Anodisées: argent, bronze, couleur électrique, elox noir
Ral: standard, tableau des couleurs
Speciale: or

EMBALLAGES

25 pièces par boîte



166

ART.	Descrizione profilati/Description of sections/Type of profilé	Quote/Dimensions/Cotes		
		C	B	L
165	HERCULES maschio ristretto gradino da 8 mm/ HERCULES narrow male hinge 8 mm adapter/ HERCULES mâle étroit palier de 8 mm	36,2	18	55,3-2 parts
166	HERCULES maschio ristretto gradino da 7 mm/ HERCULES narrow male hinge 7 mm adapter/ HERCULES mâle étroit palier de 7 mm	36,2	18	55,3-2 parts
167	HERCULES maschio ristretto gradino da 5 mm/ HERCULES narrow male hinge 5 mm adapter/ HERCULES mâle étroit palier de 5 mm	36,2	18	55,3-2 parts
168	HERCULES maschio ristretto a base piana/ HERCULES flat base narrow male hinge/ HERCULES mâle étroit à base plane	36,2	18	55,3-2 parts
169	HERCULES interasse 42/ HERCULES centre distance 42/ HERCULES entraxe 42	36,2	18	42-2 parts
170	HERCULES interasse 61/ HERCULES centre distance 61/ HERCULES entraxe 61	36,2	18	61-2 parts
171	HERCULES interasse 80/ HERCULES centre distance 80/ HERCULES entraxe 80	36,2	18	80-2 parts
172	HERCULES 3 ALL interasse 61/ HERCULES 3 WING hinge with centre distance 61/ HERCULES 3 LAMES entraxe 61	36,2	18	61-3 parts
173	HERCULES 3 ALL interasse 80/ HERCULES 3 WING hinge with centre distance 80/ HERCULES 3 LAMES entraxe 80	36,2	18	80-3 parts
305	CERNIERA SPECIALE REUNION/ SPECIAL REUNION HINGE/ PAUMELLE SPECIALE REUNION			
306	CERNIERA SPECIALE REUNION 3 ALL/ SPECIAL 3 WING REUNION HINGE/ PAUMELLE SPECIALE REUNION 3 LAMES			

CERNIERA HERCULES

CARATTERISTICHE

Cerniera studiata e progettata per porte di sicurezza e porte blindate, grazie alle sue particolari caratteristiche di montaggio e a una portata di 140 Kg per coppia di cerniere. La piastrina di copertura delle viti di fissaggio è bloccata con un grano dalla parte interna della cerniera, e può essere rimossa solo con l'apertura del serramento. I componenti in dotazione consentono un facile utilizzo e un semplificato sistema di montaggio: piastrina di fissaggio a molla, guidata da un'asta filettata di diametro 6 mm, e dima per la foratura (opzionale).

MATERIALI E COMPONENTI

1 pz. Cerniera in alluminio estruso maschio int. 15
 1 pz. Cerniera in alluminio estruso femmina int. 40
 2 boccole eccentriche in nylon 6.6 FV 30%
 2 piastrine di copertura in alluminio estruso
 1 perno d. 12xL.67 inox 304
 2 piastrine di fissaggio in alluminio estruso grezzo
 1 molla per piastrine di fissaggio in resina
 2 rondelle di spessore in nylon
 2 viti TCEI M8x25 zincate
 2 viti TCEI M6x40 zincate
 2 boccole guida zigrinate d. 8x11 zincate
 2 grani a coppa M6x10 inox

FINITURE

Anodizzato: argento, bronzo, elettrocolore, elox nero.
 Verniciato: Ral standard vedi tabella colori
 Speciali: Oro

CONFEZIONI

25 pz per confezione

HERCULES HINGE

CHARACTERISTICS

The hinge was studied and designed for safety and armoured doors, thanks to its specific assembling features and a loading capacity of 140 Kg per pair of hinges. The plate covering the securing screws is fixed with a dowel from the inside of the hinge and can only be removed when the door is open. The components provided guarantee an easy use and a simple installation: spring fixing plate, guided by a threaded rod with diameter of 6 mm, and a template for the drilling (optional).

MATERIALS AND COMPONENTS

1 pc extruded aluminium male hinge, centre distance 15
 1 pc extruded aluminium female hinge, centre distance 40
 2 nylon eccentric bushes 6.6 FV 30%
 2 extruded aluminium covering plates
 1 pin d. 12xL67 inox 304
 2 extruded aluminium fixing plates
 1 springs for the plate
 2 thick washers
 2 M8x25 hexagonal headed screws
 2 M6x40 hexagonal headed screws
 2 knurled guide bushes, d.8x11
 2 M6x10 inox dowels

FINISHES

Anodized: silver, bronze, electro colour, black elox
 Ral: standard, colour chart
 Specials: gold

PACKS

25 pcs in each pack

PAUMELLE HERCULES

CARACTERISTIQUES

La charnière a été étudié et conçu pour les portes blindées, grâce à ses caractéristiques de montage et à une capacité de chargement de 140 kg par paire de charnières. La plaque de recouvrement des vis de fixation est bloquée par un boulon à l'intérieur de la charnière. Elle peut être démontée seulement lors de l'ouverture de la menuiserie. Les éléments fournis - plaque de fixation à ressort, guidée par une tige fileté de 6 mm de diamètre, et gabarit pour le perçage (optionnel) - permettent une utilisation facile et un système de montage simplifié.

MATERIAUX ET PIECES

1 Paumelle en aluminium extrudé mâle int. 15
 1 paumelle en aluminium extrudé femelle int. 40
 2 douilles excentriques 6.6 FV 30%
 2 plaques de recouvrement
 1 axe d. 12xL.67 inox 304
 2 plaques de fixation
 1 ressorts pour plaque
 2 rondelles épaisses
 2 vis TCEI M8x25 zingué
 2 vis TCEI M6x40 zingué
 2 douilles de guidage moletées d. 8x11
 2 boulons à pointe M6x10

FINITIONS

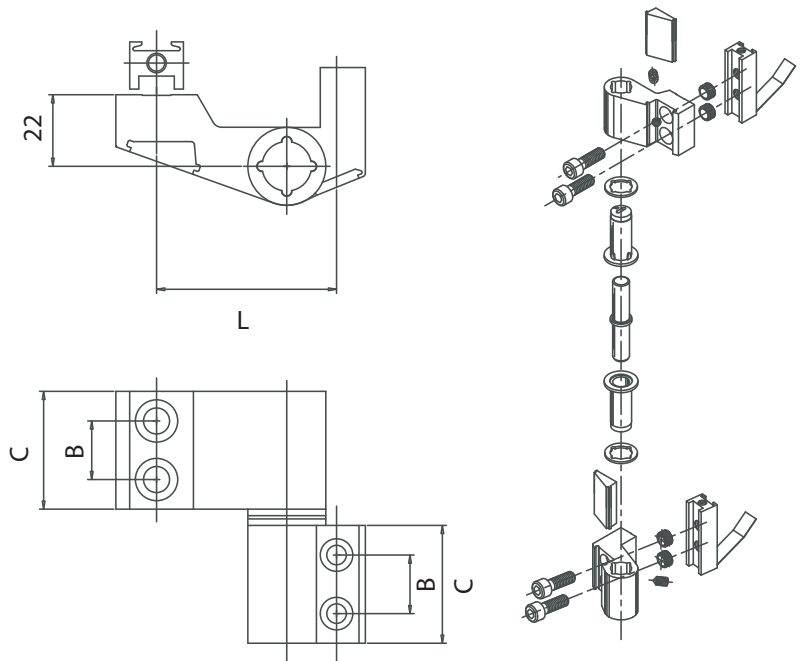
Anodisées: argent, bronze, couleur électrique, elox noir
 Ral: standard, tableau des couleurs
 Speciale: or

EMBALLAGES

25 pièces par boîte

Cerniera Hercules

167



ART.	Descrizione profilati/Description of sections/Type of profilé	Quote/Dimensions/Cotes		
		C	B	L
165	HERCULES maschio ristretto gradino da 8 mm/ HERCULES narrow male hinge 8 mm adapter/ HERCULES mâle étroit palier de 8 mm	36,2	18	55,3-2 parts
166	HERCULES maschio ristretto gradino da 7 mm/ HERCULES narrow male hinge 7 mm adapter/ HERCULES mâle étroit palier de 7 mm	36,2	18	55,3-2 parts
167	HERCULES maschio ristretto gradino da 5 mm/ HERCULES narrow male hinge 5 mm adapter/ HERCULES mâle étroit palier de 5 mm	36,2	18	55,3-2 parts
168	HERCULES maschio ristretto a base piana/ HERCULES flat base narrow male hinge/ HERCULES mâle étroit à base plane	36,2	18	55,3-2 parts
169	HERCULES interasse 42/ HERCULES centre distance 42/ HERCULES entraxe 42	36,2	18	42-2 parts
170	HERCULES interasse 61/ HERCULES centre distance 61/ HERCULES entraxe 61	36,2	18	61-2 parts
171	HERCULES interasse 80/ HERCULES centre distance 80/ HERCULES entraxe 80	36,2	18	80-2 parts
172	HERCULES 3 ALI interasse 61/ HERCULES 3 WING hinge with centre distance 61/ HERCULES 3 LAMES entraxe 61	36,2	18	61-3 parts
173	HERCULES 3 ALI interasse 80/ HERCULES 3 WING hinge with centre distance 80/ HERCULES 3 LAMES entraxe 80	36,2	18	80-3 parts
305	CERNIERA SPECIALE REUNION/ SPECIAL REUNION HINGE/ PAUMELLE SPECIALE REUNION			
306	CERNIERA SPECIALE REUNION 3 ALI/ SPECIAL 3 WING REUNION HINGE/ PAUMELLE SPECIALE REUNION 3 LAMES			

CERNIERA HERCULES

CARATTERISTICHE

Cerniera studiata e progettata per porte di sicurezza e porte blindate, grazie alle sue particolari caratteristiche di montaggio e a una portata di 140 Kg per coppia di cerniere. La piastrina di copertura delle viti di fissaggio è bloccata con un grano dalla parte interna della cerniera, e può essere rimossa solo con l'apertura del serramento. I componenti in dotazione consentono un facile utilizzo e un semplificato sistema di montaggio: piastrina di fissaggio a molla, guidata da un'asta filettata di diametro 6 mm, e dima per la foratura (opzionale).

MATERIALI E COMPONENTI

1 pz. Cerniera in alluminio estruso maschio int. 15
 1 pz. Cerniera in alluminio estruso femmina int. 40
 2 boccole eccentriche in nylon 6.6 FV 30%
 2 piastrine di copertura in alluminio estruso
 1 perno d. 12xL.67 inox 304
 2 piastrine di fissaggio in alluminio estruso grezzo
 1 molla per piastrine di fissaggio in resina
 2 rondelle di spessore in nylon
 2 viti TCEI M8x25 zincate
 2 viti TCEI M6x40 zincate
 2 boccole guida zigrinate d. 8x11 zincate
 2 grani a coppa M6x10 inox

FINITURE

Anodizzato: argento, bronzo, elettrocolore, elox nero.
 Verniciato: Ral standard vedi tabella colori
 Speciali: Oro

CONFEZIONI

25 pz per confezione

HERCULES HINGE

CHARACTERISTICS

The hinge was studied and designed for safety and armoured doors, thanks to its specific assembling features and a loading capacity of 140 Kg per pair of hinges. The plate covering the securing screws is fixed with a dowel from the inside of the hinge and can only be removed when the door is open. The components provided guarantee an easy use and a simple installation: spring fixing plate, guided by a threaded rod with diameter of 6 mm, and a template for the drilling (optional).

MATERIALS AND COMPONENTS

1 pc extruded aluminium male hinge, centre distance 15
 1 pc extruded aluminium female hinge, centre distance 40
 2 nylon eccentric bushes 6.6 FV 30%
 2 extruded aluminium covering plates
 1 pin d. 12xL67 inox 304
 2 extruded aluminium fixing plates
 1 springs for the plate
 2 thick washers
 2 M8x25 hexagonal headed screws
 2 M6x40 hexagonal headed screws
 2 knurled guide bushes, d.8x11
 2 M6x10 inox dowels

FINISHES

Anodized: silver, bronze, electro colour, black elox
 Ral: standard, colour chart
 Specials: gold

PACKS

25 pcs in each pack

PAUMELLE HERCULES

CARACTERISTIQUES

La charnière a été étudié et conçu pour les portes blindées, grâce à ses caractéristiques de montage et à une capacité de chargement de 140 kg par paire de charnières. La plaque de recouvrement des vis de fixation est bloquée par un boulon à l'intérieur de la charnière. Elle peut être démontée seulement lors de l'ouverture de la menuiserie. Les éléments fournis - plaque de fixation à ressort, guidée par une tige filetée de 6 mm de diamètre, et gabarit pour le perçage (optionnel) - permettent une utilisation facile et un système de montage simplifié.

MATERIAUX ET PIECES

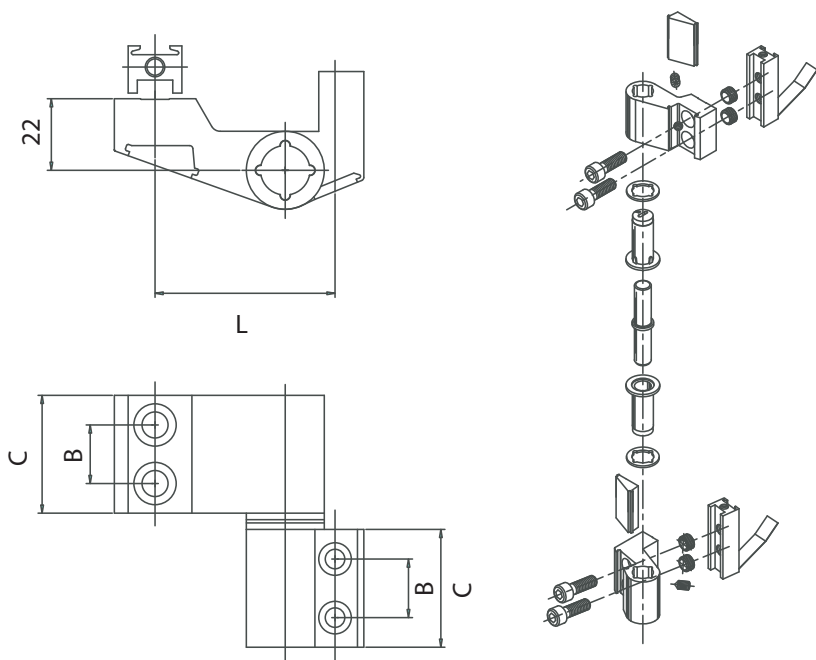
1 Paumelle en aluminium extrudé mâle int. 15
 1 paumelle en aluminium extrudé femelle int. 40
 2 douilles excentriques 6.6 FV 30%
 2 plaques de recouvrement
 1 axe d. 12xL.67 inox 304
 2 plaques de fixation
 1 ressorts pour plaque
 2 rondelles épaisses
 2 vis TCEI M8x25 zingué
 2 vis TCEI M6x40 zingué
 2 douilles de guidage moletées d. 8x11
 2 boulons à pointe M6x10

FINITIONS

Anodisées: argent, bronze, couleur électrique, elox noir
 Ral: standard, tableau des couleurs
 Speciale: or

EMBALLAGES

25 pièces par boîte



168

ART.	Descrizione profilati/Description of sections/Type of profilé	Quote/Dimensions/Cotes		
		C	B	L
165	HERCULES maschio ristretto gradino da 8 mm/ HERCULES narrow male hinge 8 mm adapter/ HERCULES mâle étroit palier de 8 mm	36,2	18	55,3-2 parts
166	HERCULES maschio ristretto gradino da 7 mm/ HERCULES narrow male hinge 7 mm adapter/ HERCULES mâle étroit palier de 7 mm	36,2	18	55,3-2 parts
167	HERCULES maschio ristretto gradino da 5 mm/ HERCULES narrow male hinge 5 mm adapter/ HERCULES mâle étroit palier de 5 mm	36,2	18	55,3-2 parts
168	HERCULES maschio ristretto a base piana/ HERCULES flat base narrow male hinge/ HERCULES mâle étroit à base plane	36,2	18	55,3-2 parts
169	HERCULES interasse 42/ HERCULES centre distance 42/ HERCULES entraxe 42	36,2	18	42-2 parts
170	HERCULES interasse 61/ HERCULES centre distance 61/ HERCULES entraxe 61	36,2	18	61-2 parts
171	HERCULES interasse 80/ HERCULES centre distance 80/ HERCULES entraxe 80	36,2	18	80-2 parts
172	HERCULES 3 ALL interasse 61/ HERCULES 3 WING hinge with centre distance 61/ HERCULES 3 LAMES entraxe 61	36,2	18	61-3 parts
173	HERCULES 3 ALL interasse 80/ HERCULES 3 WING hinge with centre distance 80/ HERCULES 3 LAMES entraxe 80	36,2	18	80-3 parts
305	CERNIERA SPECIALE REUNION/ SPECIAL REUNION HINGE/ PAUMELLE SPECIALE REUNION			
306	CERNIERA SPECIALE REUNION 3 ALL/ SPECIAL 3 WING REUNION HINGE/ PAUMELLE SPECIALE REUNION 3 LAMES			

CERNIERA HERCULES

CARATTERISTICHE

Cerniera studiata e progettata per porte di sicurezza e porte blindate, grazie alle sue particolari caratteristiche di montaggio e a una portata di 140 Kg per coppia di cerniere. La piastrina di copertura delle viti di fissaggio è bloccata con un grano dalla parte interna della cerniera, e può essere rimossa solo con l'apertura del serramento. I componenti in dotazione consentono un facile utilizzo e un semplificato sistema di montaggio: piastrina di fissaggio a molla, guidata da un'asta filettata di diametro 6 mm, e dima per la foratura (opzionale).

MATERIALI E COMPONENTI

1 pz. Cerniera in alluminio estruso maschio int. 15
1 pz. Cerniera in alluminio estruso femmina int. 40
2 boccole eccentriche in nylon 6.6 FV 30%
2 piastrine di copertura in alluminio estruso
1 perno d. 12xL.67 inox 304
2 piastrine di fissaggio in alluminio estruso grezzo
1 molla per piastrine di fissaggio in resina
2 rondelle di spessore in nylon
2 viti TCEI M8x25 zincate
2 viti TCEI M6x40 zincate
2 boccole guida zigrinate d. 8x11 zincate
2 grani a coppa M6x10 inox

FINITURE

Anodizzato: argento, bronzo, elettrocolore, elox nero.
Verniciato: Ral standard vedi tabella colori
Speciali: Oro

CONFEZIONI

25 pz per confezione

HERCULES HINGE

CHARACTERISTICS

The hinge was studied and designed for safety and armoured doors, thanks to its specific assembling features and a loading capacity of 140 Kg per pair of hinges. The plate covering the securing screws is fixed with a dowel from the inside of the hinge and can only be removed when the door is open. The components provided guarantee an easy use and a simple installation: spring fixing plate, guided by a threaded rod with diameter of 6 mm, and a template for the drilling (optional).

MATERIALS AND COMPONENTS

1 pc extruded aluminium male hinge, centre distance 15
1 pc extruded aluminium female hinge, centre distance 40
2 nylon eccentric bushes 6.6 FV 30%
2 extruded aluminium covering plates
1 pin d. 12xL67 inox 304
2 extruded aluminium fixing plates
1 springs for the plate
2 thick washers
2 M8x25 hexagonal headed screws
2 M6x40 hexagonal headed screws
2 knurled guide bushes, d.8x11
2 M6x10 inox dowels

FINISHES

Anodized: silver, bronze, electro colour, black elox
Ral: standard, colour chart
Specials: gold

PACKS

25 pcs in each pack

PAUMELLE HERCULES

CARACTERISTIQUES

La charnière a été étudié et conçu pour les portes blindées, grâce à ses caractéristiques de montage et à une capacité de chargement de 140 kg par paire de charnières. La plaque de recouvrement des vis de fixation est bloquée par un boulon à l'intérieur de la charnière. Elle peut être démontée seulement lors de l'ouverture de la menuiserie. Les éléments fournis - plaque de fixation à ressort, guidée par une tige fileté de 6 mm de diamètre, et gabarit pour le perçage (optionnel) - permettent une utilisation facile et un système de montage simplifié.

MATERIAUX ET PIECES

1 Paumelle en aluminium extrudé mâle int. 15
1 paumelle en aluminium extrudé femelle int. 40
2 douilles excentriques 6.6 FV 30%
2 plaques de recouvrement
1 axe d. 12xL.67 inox 304
2 plaques de fixation
1 ressorts pour plaque
2 rondelles épaisses
2 vis TCEI M8x25 zingué
2 vis TCEI M6x40 zingué
2 douilles de guidage moletées d. 8x11
2 boulons à pointe M6x10

FINITIONS

Anodisées: argent, bronze, couleur électrique, elox noir
Ral: standard, tableau des couleurs
Speciale: or

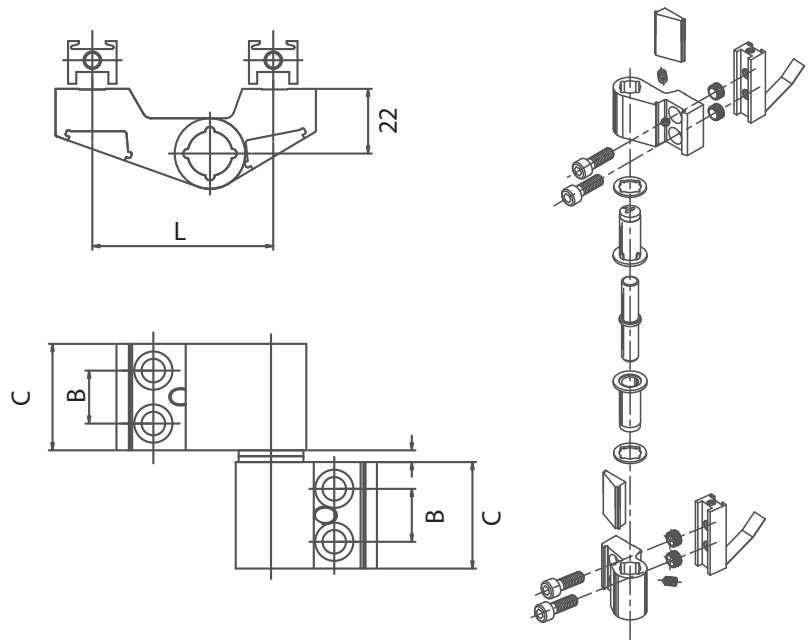
EMBALLAGES

25 pièces par boîte

Cerniera Hercules



169



ART.	Descrizione profilati/Description of sections/Type of profilé	Quote/Dimensions/Cotes		
		C	B	L
165	HERCULES maschio ristretto gradino da 8 mm/ HERCULES narrow male hinge 8 mm adapter/ HERCULES mâle étroit palier de 8 mm	36,2	18	55,3-2 parts
166	HERCULES maschio ristretto gradino da 7 mm/ HERCULES narrow male hinge 7 mm adapter/ HERCULES mâle étroit palier de 7 mm	36,2	18	55,3-2 parts
167	HERCULES maschio ristretto gradino da 5 mm/ HERCULES narrow male hinge 5 mm adapter/ HERCULES mâle étroit palier de 5 mm	36,2	18	55,3-2 parts
168	HERCULES maschio ristretto a base piana/ HERCULES flat base narrow male hinge/ HERCULES mâle étroit à base plane	36,2	18	55,3-2 parts
169	HERCULES interasse 42/ HERCULES centre distance 42/ HERCULES entraxe 42	36,2	18	42-2 parts
170	HERCULES interasse 61/ HERCULES centre distance 61/ HERCULES entraxe 61	36,2	18	61-2 parts
171	HERCULES interasse 80/ HERCULES centre distance 80/ HERCULES entraxe 80	36,2	18	80-2 parts
172	HERCULES 3 ALI interasse 61/ HERCULES 3 WING hinge with centre distance 61/ HERCULES 3 LAMES entraxe 61	36,2	18	61-3 parts
173	HERCULES 3 ALI interasse 80/ HERCULES 3 WING hinge with centre distance 80/ HERCULES 3 LAMES entraxe 80	36,2	18	80-3 parts
305	CERNIERA SPECIALE REUNION/ SPECIAL REUNION HINGE/ PAUMELLE SPECIALE REUNION			
306	CERNIERA SPECIALE REUNION 3 ALI/ SPECIAL 3 WING REUNION HINGE/ PAUMELLE SPECIALE REUNION 3 LAMES			

CERNIERA HERCULES

CARATTERISTICHE

Cerniera studiata e progettata per porte di sicurezza e porte blindate, grazie alle sue particolari caratteristiche di montaggio e a una portata di 140 Kg per coppia di cerniere. La piastrina di copertura delle viti di fissaggio è bloccata con un grano dalla parte interna della cerniera, e può essere rimossa solo con l'apertura del serramento. I componenti in dotazione consentono un facile utilizzo e un semplificato sistema di montaggio: piastrina di fissaggio a molla, guidata da un'asta filettata di diametro 6 mm, e dima per la foratura (opzionale).

MATERIALI E COMPONENTI

2 pz. Cerniera in alluminio estruso maschio int. 21
2 boccole eccentriche in nylon 6.6 FV 30%
2 piastrine di copertura in alluminio estruso
1 perno d.12xL.67 inox 304
2 piastrine di fissaggio in alluminio estruso grezzo
2 molle per piastrine di fissaggio in resina
2 rondelle di spessore in nylon
4 viti TCEI M8x25 zincate
4 boccole guida zigrinate d.8x11 zincate
2 grani a coppa M6x10 inox

FINITURE

Anodizzato: argento, bronzo, elettrocolore, elox nero.
Verniciato: Ral standard vedi tabella colori
Speciali: Oro

CONFEZIONI

25 pz per confezione

HERCULES HINGE

CHARACTERISTICS

The hinge was studied and designed for safety and armoured doors, thanks to its specific assembling features and a loading capacity of 140 Kg per pair of hinges. The plate covering the securing screws is fixed with a dowel from the inside of the hinge and can only be removed when the door is open. The components provided guarantee an easy use and a simple installation: spring fixing plate, guided by a threaded rod with diameter of 6 mm, and a template for the drilling (optional).

MATERIALS AND COMPONENTS

2 pc extruded aluminium male hinge, centre distance 21
2 nylon eccentric bushes 6.6 FV 30%
2 extruded aluminium covering plates
1 pin d. 12xL67 inox 304
2 extruded aluminium fixing plates
2 springs for the plate
2 thick washers
4 M8x25 hexagonal headed screws
4 knurled guide bushes, d.8x11
2 M6x10 inox dowels

FINISHES

Anodized: silver, bronze, electro colour, black elox
Ral: standard, colour chart
Special: gold

PACKS

25 pcs in each pack

PAUMELLE HERCULES

CARACTERISTIQUES

La charnière a été étudié et conçu pour les portes blindées, grâce à ses caractéristiques de montage et à une capacité de chargement de 140 kg par paire de charnières. La plaque de recouvrement des vis de fixation est bloquée par un boulon à l'intérieur de la charnière. Elle peut être démontée seulement lors de l'ouverture de la menuiserie. Les éléments fournis - plaque de fixation à ressort, guidée par une tige filetée de 6 mm de diamètre, et gabarit pour le perçage (optionnel) - permettent une utilisation facile et un système de montage simplifié.

MATERIAUX ET PIECES

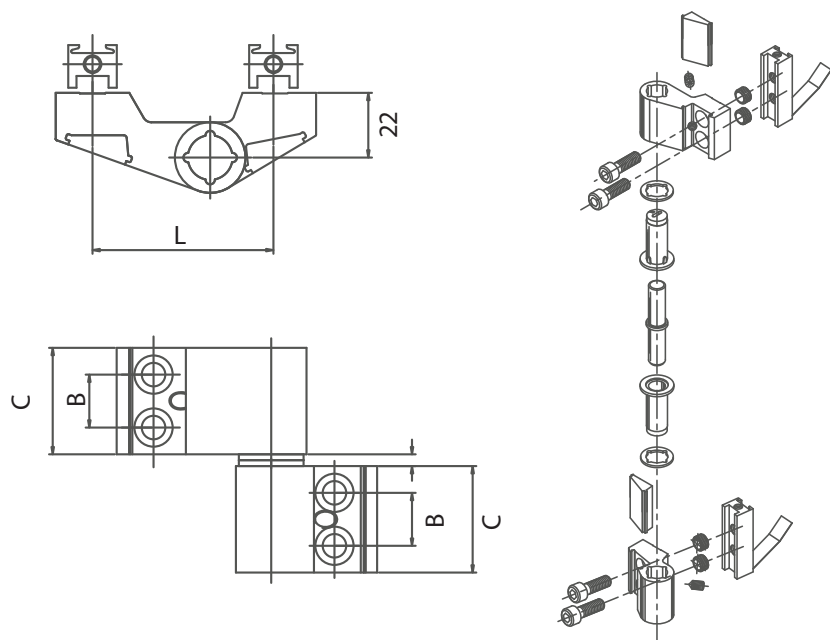
2 Paumelle en aluminium extrudé mâle int. 15
2 douilles excentriques 6.6 FV 30%
2 plaques de recouvrement
1 axe d. 12xL.67 inox 304
2 plaques de fixation
2 ressorts pour plaque
2 rondelles épaisses
4 vis TCEI M8x25 zingué
4 douilles de guidage moletées d.8x11
2 boulons à pointe M6x10

FINITIONS

Anodisées: argent, bronze, couleur électrique, elox noir
Ral: standard, tableau des couleurs
Speciale: or

EMBALLAGES

25 pièces par boîte



170

ART.	Descrizione profilati/Description of sections/Type of profilé	Quote/Dimensions/Cotes		
		C	B	L
165	HERCULES maschio ristretto gradino da 8 mm/ HERCULES narrow male hinge 8 mm adapter/ HERCULES mâle étroit palier de 8 mm	36,2	18	55,3-2 parts
166	HERCULES maschio ristretto gradino da 7 mm/ HERCULES narrow male hinge 7 mm adapter/ HERCULES mâle étroit palier de 7 mm	36,2	18	55,3-2 parts
167	HERCULES maschio ristretto gradino da 5 mm/ HERCULES narrow male hinge 5 mm adapter/ HERCULES mâle étroit palier de 5 mm	36,2	18	55,3-2 parts
168	HERCULES maschio ristretto a base piana/ HERCULES flat base narrow male hinge/ HERCULES mâle étroit à base plane	36,2	18	55,3-2 parts
169	HERCULES interasse 42/ HERCULES centre distance 42/ HERCULES entraxe 42	36,2	18	42-2 parts
170	HERCULES interasse 61/ HERCULES centre distance 61/ HERCULES entraxe 61	36,2	18	61-2 parts
171	HERCULES interasse 80/ HERCULES centre distance 80/ HERCULES entraxe 80	36,2	18	80-2 parts
172	HERCULES 3 ALL interasse 61/ HERCULES 3 WING hinge with centre distance 61/ HERCULES 3 LAMES entraxe 61	36,2	18	61-3 parts
173	HERCULES 3 ALL interasse 80/ HERCULES 3 WING hinge with centre distance 80/ HERCULES 3 LAMES entraxe 80	36,2	18	80-3 parts
305	CERNIERA SPECIALE REUNION/ SPECIAL REUNION HINGE/ PAUMELLE SPECIALE REUNION			
306	CERNIERA SPECIALE REUNION 3 ALL/ SPECIAL 3 WING REUNION HINGE/ PAUMELLE SPECIALE REUNION 3 LAMES			



CERNIERA HERCULES

CARATTERISTICHE

Cerniera studiata e progettata per porte di sicurezza e porte blindate, grazie alle sue particolari caratteristiche di montaggio e a una portata di 140 Kg per coppia di cerniere. La piastrina di copertura delle viti di fissaggio è bloccata con un grano dalla parte interna della cerniera, e può essere rimossa solo con l'apertura del serramento. I componenti in dotazione consentono un facile utilizzo e un semplificato sistema di montaggio: piastrina di fissaggio a molla, guidata da un'asta filettata di diametro 6 mm, e dima per la foratura (opzionale).

MATERIALI E COMPONENTI

- 1 pz. Cerniera in alluminio estruso maschio int. 21
- 1 pz. Cerniera in alluminio estruso femmina int. 40
- 2 boccole eccentriche in nylon 6.6 FV 30%
- 2 piastrine di copertura in alluminio estruso
- 1 perno d. 12xL.67 inox 304
- 2 piastrine di fissaggio in alluminio estruso grezzo
- 2 molle per piastrine di fissaggio in resina
- 2 rondelle di spessore in nylon
- 4 viti TCEI M8x25 zincate
- 4 boccole guida zigrinate d. 8x11 zincate
- 2 grani a coppa M6x10 inox

FINITURE

Anodizzato: argento, bronzo, elettrocolore, elox nero.
Verniciato: Ral standard vedi tabella colori
Speciali: Oro

CONFEZIONI

25 pz per confezione



HERCULES HINGE

CHARACTERISTICS

The hinge was studied and designed for safety and armoured doors, thanks to its specific assembling features and a loading capacity of 140 Kg per pair of hinges. The plate covering the securing screws is fixed with a dowel from the inside of the hinge and can only be removed when the door is open. The components provided guarantee an easy use and a simple installation: spring fixing plate, guided by a threaded rod with diameter of 6 mm, and a template for the drilling (optional).

MATERIALS AND COMPONENTS

- 1 pc extruded aluminium male hinge, centre distance 21
- 1 pc extruded aluminium female hinge, centre distance 40
- 2 nylon eccentric bushes 6.6 FV 30%
- 2 extruded aluminium covering plates
- 1 pin d. 12xL67 inox 304
- 2 extruded aluminium fixing plates
- 2 springs for the plate
- 2 thick washers
- 4 M8x25 hexagonal headed screws
- 4 knurled guide bushes, d.8x11
- 2 M6x10 inox dowels

FINISHES

Anodized: silver, bronze, electro colour, black elox
Ral: standard, colour chart
Specials: gold

PACKS

25 pcs in each pack



PAUMELLE HERCULES

CARACTERISTIQUES

La charnière a été étudié et conçu pour les portes blindées, grâce à ses caractéristiques de montage et à une capacité de chargement de 140 kg par paire de charnières. La plaque de recouvrement des vis de fixation est bloquée par un boulon à l'intérieur de la charnière. Elle peut être démontée seulement lors de l'ouverture de la menuiserie. Les éléments fournis - plaque de fixation à ressort, guidée par une tige fileté de 6 mm de diamètre, et gabarit pour le perçage (optionnel) - permettent une utilisation facile et un système de montage simplifié.

MATERIAUX ET PIÈCES

- 1 Paumelle en aluminium extrudé mâle int. 21
- 1 paumelle en aluminium extrudé femelle int. 40
- 2 douilles excentriques 6.6 FV 30%
- 2 plaques de recouvrement
- 1 axe d. 12xL.67 inox 304
- 2 plaques de fixation
- 2 ressorts pour plaque
- 2 rondelles épaisses
- 4 vis TCEI M8x25 zingué
- 4 douilles de guidage moletées d. 8x11
- 2 boulons à pointe M6x10

FINITIONS

Anodisés: argent, bronze, couleur électrique, elox noir
Ral: standard, tableau des couleurs
Speciale: or

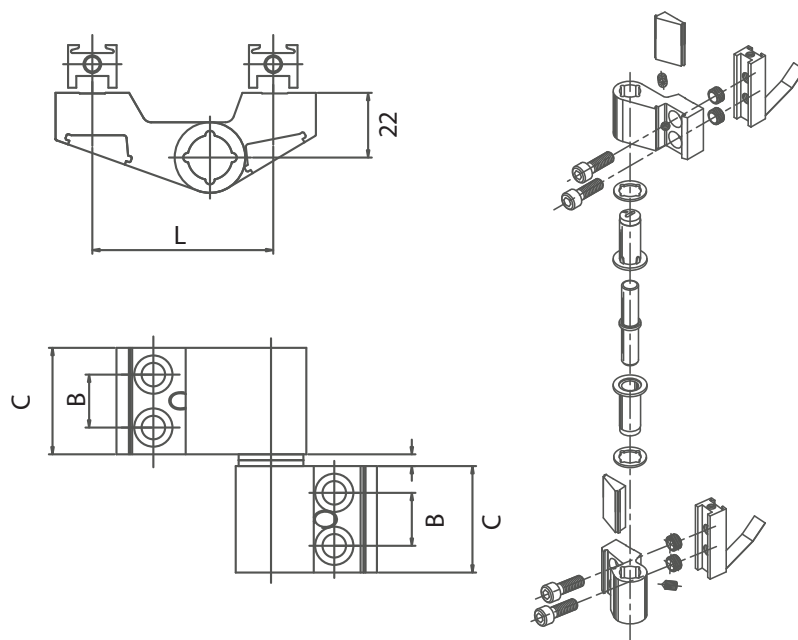
EMBALLAGES

25 pièces par boîte

Cerniera Hercules



171



ART.	Descrizione profilati/Description of sections/Type of profilé	Quote/Dimensions/Cotes		
		C	B	L
165	HERCULES maschio ristretto gradino da 8 mm/ HERCULES narrow male hinge 8 mm adapter/ HERCULES mâle étroit palier de 8 mm	36,2	18	55,3-2 parts
166	HERCULES maschio ristretto gradino da 7 mm/ HERCULES narrow male hinge 7 mm adapter/ HERCULES mâle étroit palier de 7 mm	36,2	18	55,3-2 parts
167	HERCULES maschio ristretto gradino da 5 mm/ HERCULES narrow male hinge 5 mm adapter/ HERCULES mâle étroit palier de 5 mm	36,2	18	55,3-2 parts
168	HERCULES maschio ristretto a base piana/ HERCULES flat base narrow male hinge/ HERCULES mâle étroit à base plane	36,2	18	55,3-2 parts
169	HERCULES interasse 42/ HERCULES centre distance 42/ HERCULES entraxe 42	36,2	18	42-2 parts
170	HERCULES interasse 61/ HERCULES centre distance 61/ HERCULES entraxe 61	36,2	18	61-2 parts
171	HERCULES interasse 80/ HERCULES centre distance 80/ HERCULES entraxe 80	36,2	18	80-2 parts
172	HERCULES 3 ALI interasse 61/ HERCULES 3 WING hinge with centre distance 61/ HERCULES 3 LAMES entraxe 61	36,2	18	61-3 parts
173	HERCULES 3 ALI interasse 80/ HERCULES 3 WING hinge with centre distance 80/ HERCULES 3 LAMES entraxe 80	36,2	18	80-3 parts
305	CERNIERA SPECIALE REUNION/ SPECIAL REUNION HINGE/ PAUMELLE SPECIALE REUNION			
306	CERNIERA SPECIALE REUNION 3 ALI/ SPECIAL 3 WING REUNION HINGE/ PAUMELLE SPECIALE REUNION 3 LAMES			

CERNIERA HERCULES

CARATTERISTICHE

Cerniera studiata e progettata per porte di sicurezza e porte blindate, grazie alle sue particolari caratteristiche di montaggio e a una portata di 140 Kg per coppia di cerniere. La piastrina di copertura delle viti di fissaggio è bloccata con un grano dalla parte interna della cerniera, e può essere rimossa solo con l'apertura del serramento. I componenti in dotazione consentono un facile utilizzo e un semplificato sistema di montaggio: piastrina di fissaggio a molla, guidata da un'asta filettata di diametro 6 mm, e dima per la foratura (opzionale).

MATERIALI E COMPONENTI

2 pz. Cerniera in alluminio estruso femmina int. 40
2 boccole eccentriche in nylon 6.6 FV 30%
2 piastrine di copertura in alluminio estruso
1 perno d.12xL.67 inox 304
2 piastrine di fissaggio in alluminio estruso grezzo
2 molle per piastrine di fissaggio in resina
2 rondelle di spessore in nylon
4 viti TCEI M8x25 zincate
4 boccole guida zigrinate d.8x11 zincate
2 grani a coppa M6x10 inox

FINITURE

Anodizzato: argento, bronzo, elettrocolore, elox nero.
Verniciato: Ral standard vedi tabella colori
Speciali: Oro

CONFEZIONI

25 pz per confezione

HERCULES HINGE

CHARACTERISTICS

The hinge was studied and designed for safety and armoured doors, thanks to its specific assembling features and a loading capacity of 140 Kg per pair of hinges. The plate covering the securing screws is fixed with a dowel from the inside of the hinge and can only be removed when the door is open. The components provided guarantee an easy use and a simple installation: spring fixing plate, guided by a threaded rod with diameter of 6 mm, and a template for the drilling (optional).

MATERIALS AND COMPONENTS

2 pc extruded aluminium female hinge, centre distance 40
2 nylon eccentric bushes 6.6 FV 30%
2 extruded aluminium covering plates
1 pin d. 12xL67 inox 304
2 extruded aluminium fixing plates
2 springs for the plate
2 thick washers
4 M8x25 hexagonal headed screws
4 knurled guide bushes, d.8x11
2 M6x10 inox dowels

FINISHES

Anodized: silver, bronze, electro colour, black elox
Ral: standard, colour chart
Special: gold

PACKS

25 pcs in each pack

PAUMELLE HERCULES

CARACTERISTIQUES

La charnière a été étudié et conçu pour les portes blindées, grâce à ses caractéristiques de montage et à une capacité de chargement de 140 kg par paire de charnières. La plaque de recouvrement des vis de fixation est bloquée par un boulon à l'intérieur de la charnière. Elle peut être démontée seulement lors de l'ouverture de la menuiserie. Les éléments fournis - plaque de fixation à ressort, guidée par une tige filetée de 6 mm de diamètre, et gabarit pour le perçage (optionnel) - permettent une utilisation facile et un système de montage simplifié.

MATERIAUX ET PIECES

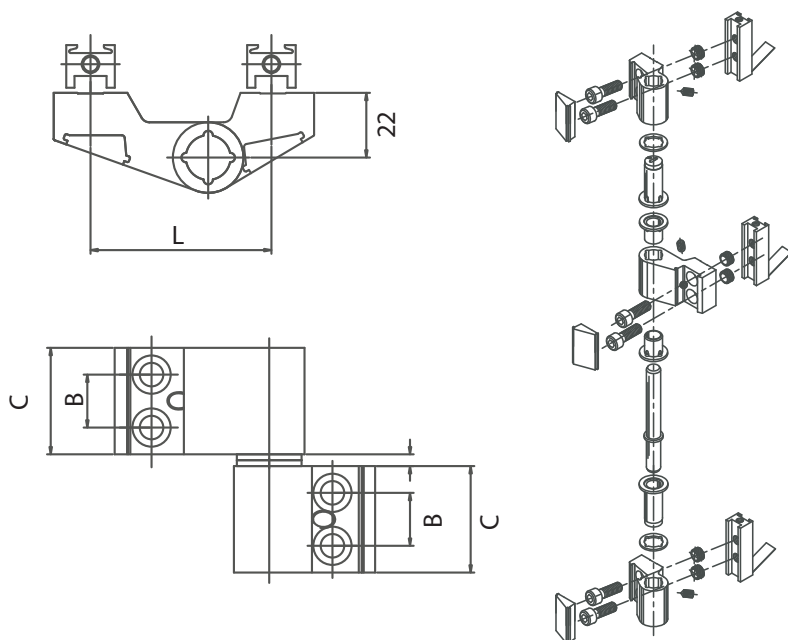
2 Paumelle en aluminium extrudé femelle int. 40
2 douilles excentriques 6.6 FV 30%
2 plaques de recouvrement
1 axe d. 12xL.67 inox 304
2 plaques de fixation
2 ressorts pour plaque
2 rondelles épaisses
4 vis TCEI M8x25 zingué
4 douilles de guidage moletées d.8x11
2 boulons à pointe M6x10

FINITIONS

Anodisées: argent, bronze, couleur électrique, elox noir
Ral: standard, tableau des couleurs
Speciale: or

EMBALLAGES

25 pièces par boîte



172

ART.	Descrizione profilati/Description of sections/Type of profilé	Quote/Dimensions/Cotes		
		C	B	L
165	HERCULES maschio ristretto gradino da 8 mm/ HERCULES narrow male hinge 8 mm adapter/ HERCULES mâle étroit palier de 8 mm	36,2	18	55,3-2 parts
166	HERCULES maschio ristretto gradino da 7 mm/ HERCULES narrow male hinge 7 mm adapter/ HERCULES mâle étroit palier de 7 mm	36,2	18	55,3-2 parts
167	HERCULES maschio ristretto gradino da 5 mm/ HERCULES narrow male hinge 5 mm adapter/ HERCULES mâle étroit palier de 5 mm	36,2	18	55,3-2 parts
168	HERCULES maschio ristretto a base piana/ HERCULES flat base narrow male hinge/ HERCULES mâle étroit à base plane	36,2	18	55,3-2 parts
169	HERCULES interasse 42/ HERCULES centre distance 42/ HERCULES entraxe 42	36,2	18	42-2 parts
170	HERCULES interasse 61/ HERCULES centre distance 61/ HERCULES entraxe 61	36,2	18	61-2 parts
171	HERCULES interasse 80/ HERCULES centre distance 80/ HERCULES entraxe 80	36,2	18	80-2 parts
172	HERCULES 3 ALL interasse 61/ HERCULES 3 WING hinge with centre distance 61/ HERCULES 3 LAMES entraxe 61	36,2	18	61-3 parts
173	HERCULES 3 ALL interasse 80/ HERCULES 3 WING hinge with centre distance 80/ HERCULES 3 LAMES entraxe 80	36,2	18	80-3 parts
305	CERNIERA SPECIALE REUNION/ SPECIAL REUNION HINGE/ PAUMELLE SPECIALE REUNION			
306	CERNIERA SPECIALE REUNION 3 ALL/ SPECIAL 3 WING REUNION HINGE/ PAUMELLE SPECIALE REUNION 3 LAMES			

CERNIERA HERCULES

CARATTERISTICHE

Cerniera studiata e progettata per porte di sicurezza e porte blindate, grazie alle sue particolari caratteristiche di montaggio e a una portata di 140 Kg per coppia di cerniere. La piastrina di copertura delle viti di fissaggio è bloccata con un grano dalla parte interna della cerniera, e può essere rimossa solo con l'apertura del serramento. I componenti in dotazione consentono un facile utilizzo e un semplificato sistema di montaggio: piastrina di fissaggio a molla, guidata da un'asta filettata di diametro 6 mm, e dima per la foratura (opzionale).

MATERIALI E COMPONENTI

2 pz. Cerniera in alluminio estruso maschio int. 21
1 pz. Cerniera in alluminio estruso femmina int. 40
2 boccole eccentriche in nylon
2 boccole eccentriche aperte
3 piastrine di copertura in alluminio estruso
1 perno d. 12xL.105 inox 304
3 piastrine di fissaggio in alluminio estruso grezzo
3 molle per piastrine di fissaggio in resina
4 rondelle di spessore in nylon
6 viti TCEI M8x25 zincate
6 boccole guida zigrinate d. 8x11 zincate
3 grani a coppa M6x10 inox

FINITURE

Anodizzato: argento, bronzo, elettrocolore, elox nero.
Verniciato: Ral standard vedi tabella colori
Speciali: Oro

CONFEZIONI

15 pz per confezione

HERCULES HINGE

CHARACTERISTICS

The hinge was studied and designed for safety and armoured doors, thanks to its specific assembling features and a loading capacity of 140 Kg per pair of hinges. The plate covering the securing screws is fixed with a dowel from the inside of the hinge and can only be removed when the door is open. The components provided guarantee an easy use and a simple installation: spring fixing plate, guided by a threaded rod with diameter of 6 mm, and a template for the drilling (optional).

MATERIALS AND COMPONENTS

2 pc extruded aluminium male hinge, centre distance 21
1 pc extruded aluminium female hinge, centre distance 40
2 nylon eccentric bushes
2 open eccentric bushes
3 extruded aluminium covering plates
1 pin d. 12xL105 inox 304
3 extruded aluminium fixing plates
3 springs for the plate
4 thick washers
6 M8x25 hexagonal headed screws
6 knurled guide bushes, d. 8x11
3 M6x10 inox dowels

FINISHES

Anodized: silver, bronze, electro colour, black elox
Ral: standard, colour chart
Specials: gold

PACKS

15 pcs in each pack

PAUMELLE HERCULES

CARACTERISTIQUES

La charnière a été étudié et conçu pour les portes blindées, grâce à ses caractéristiques de montage et à une capacité de chargement de 140 kg par paire de charnières. La plaque de recouvrement des vis de fixation est bloquée par un boulon à l'intérieur de la charnière. Elle peut être démontée seulement lors de l'ouverture de la menuiserie. Les éléments fournis - plaque de fixation à ressort, guidée par une tige filetée de 6 mm de diamètre, et gabarit pour le perçage (optionnel) - permettent une utilisation facile et un système de montage simplifié.

MATERIAUX ET PIÈCES

2 Paumelle en aluminium extrudé mâle int. 21
1 Paumelle en aluminium extrudé femelle int. 40
2 douilles excentriques
2 douilles excentriques ouvertes
3 plaques de recouvrement
1 axe d. 12xL.105 inox 304
3 plaques de fixation
3 ressorts pour plaque
4 rondelles épaisses
6 vis TCEI M8x25 zingué
6 douilles de guidage moletées d. 8x11
3 boulons à pointe M6x10

FINITIONS

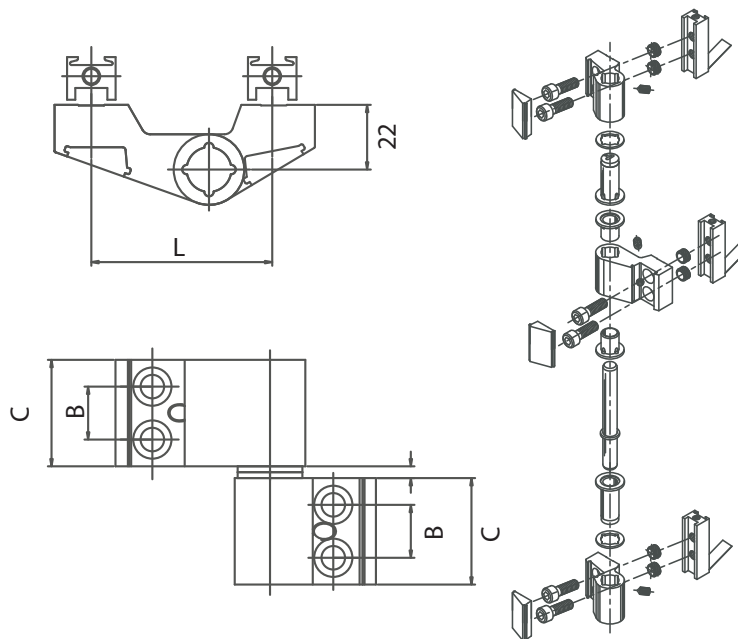
Anodisées: argent, bronze, couleur électrique, elox noir
Ral: standard, tableau des couleurs
Specials: or

EMBALLAGES

15 pièces par boîte

Cerniera Hercules

173



ART.	Descrizione profilati/Description of sections/Type of profilé	Quote/Dimensions/Cotes		
		C	B	L
165	HERCULES maschio ristretto gradino da 8 mm/ HERCULES narrow male hinge 8 mm adapter/ HERCULES mâle étroit palier de 8 mm	36,2	18	55,3-2 parts
166	HERCULES maschio ristretto gradino da 7 mm/ HERCULES narrow male hinge 7 mm adapter/ HERCULES mâle étroit palier de 7 mm	36,2	18	55,3-2 parts
167	HERCULES maschio ristretto gradino da 5 mm/ HERCULES narrow male hinge 5 mm adapter/ HERCULES mâle étroit palier de 5 mm	36,2	18	55,3-2 parts
168	HERCULES maschio ristretto a base piana/ HERCULES flat base narrow male hinge/HERCULES mâle étroit à base plane	36,2	18	55,3-2 parts
169	HERCULES interasse 42/ HERCULES centre distance 42/HERCULES entraxe 42	36,2	18	42-2 parts
170	HERCULES interasse 61/ HERCULES centre distance 61/HERCULES entraxe 61	36,2	18	61-2 parts
171	HERCULES interasse 80/ HERCULES centre distance 80/HERCULES entraxe 80	36,2	18	80-2 parts
172	HERCULES 3 ALI interasse 61/ HERCULES 3 WING hinge with centre distance 61/HERCULES 3 LAMES entraxe 61	36,2	18	61-3 parts
173	HERCULES 3 ALI interasse 80/ HERCULES 3 WING hinge with centre distance 80/HERCULES 3 LAMES entraxe 80	36,2	18	80-3 parts
305	CERNIERA SPECIALE REUNION/ SPECIAL REUNION HINGE/ PAUMELLE SPECIALE REUNION			
306	CERNIERA SPECIALE REUNION 3 ALI/ SPECIAL 3 WING REUNION HINGE/ PAUMELLE SPECIALE REUNION 3 LAMES			

CERNIERA HERCULES

CARATTERISTICHE

Cerniera studiata e progettata per porte di sicurezza e porte blindate, grazie alle sue particolari caratteristiche di montaggio e a una portata di 140 Kg per coppia di cerniere. La piastrina di copertura delle viti di fissaggio è bloccata con un grano dalla parte interna della cerniera, e può essere rimossa solo con l'apertura del serramento. I componenti in dotazione consentono un facile utilizzo e un semplificato sistema di montaggio: piastrina di fissaggio a molla, guidata da un'asta filettata di diametro 6 mm, e dima per la foratura (opzionale).

MATERIALI E COMPONENTI

3 pz. Cerniera in alluminio estruso femmina int. 40
2 boccole eccentriche in nylon
2 boccole eccentriche aperte
3 piastrine di copertura in alluminio estruso
1 perno d. 12xL.105 inox 304
3 piastrine di fissaggio in alluminio estruso grezzo
3 molle per piastrine di fissaggio in resina
4 rondelle di spessore in nylon
6 viti TCEI M8x25 zincate
6 boccole guida zigrinate d. 8x11 zincate
3 grani a coppa M6x10 inox

FINITURE

Anodizzato: argento, bronzo, elettrocolore, elox nero.
Verniciato: Ral standard vedi tabella colori
Speciali: Oro

CONFEZIONI

15 pz per confezione

HERCULES HINGE

CHARACTERISTICS

The hinge was studied and designed for safety and armoured doors, thanks to its specific assembling features and a loading capacity of 140 Kg per pair of hinges. The plate covering the securing screws is fixed with a dowel from the inside of the hinge and can only be removed when the door is open. The components provided guarantee an easy use and a simple installation: spring fixing plate, guided by a threaded rod with diameter of 6 mm, and a template for the drilling (optional).

MATERIALS AND COMPONENTS

3 pc extruded aluminium female hinge, centre distance 40
2 nylon eccentric bushes
2 open eccentric bushes
3 extruded aluminium covering plates
1 pin d. 12xL105 inox 304
3 extruded aluminium fixing plates
3 springs for the plate
4 thick washers
6 M8x25 hexagonal headed screws
6 knurled guide bushes, d.8x11
3 M6x10 inox dowels

FINISHES

Anodized: silver, bronze, electro colour, black elox
Ral: standard, colour chart
Specials: gold

PACKS

15 pcs in each pack

PAUMELLE HERCULES

CARACTERISTIQUES

La charnière a été étudié et conçu pour les portes blindées, grâce à ses caractéristiques de montage et à une capacité de chargement de 140 kg par paire de charnières. La plaque de recouvrement des vis de fixation est bloquée par un boulon à l'intérieur de la charnière. Elle peut être démontée seulement lors de l'ouverture de la menuiserie. Les éléments fournis - plaque de fixation à ressort, guidée par une tige filetée de 6 mm de diamètre, et gabarit pour le perçage (optionnel) - permettent une utilisation facile et un système de montage simplifié.

MATERIAUX ET PIECES

3 Paumelle en aluminium extrudé femelle int. 40
2 douilles excentriques
2 douilles excentriques ouvertes
3 plaques de recouvrement
1 axe d. 12xL.105 inox 304
3 plaques de fixation
3 ressorts pour plaque
4 rondelles épaisses
6 vis TCEI M8x25 zingué
6 douilles de guidage moletées d.8x11
3 boulons à pointe M6x10

FINITIONS

Anodisées: argent, bronze, couleur électrique, elox noir
Ral: standard, tableau des couleurs
Speciale: or

EMBALLAGES

15 pièces par boîte



305

ART.	Descrizione profilati/Description of sections/Type of profilé	Quote/Dimensions/Cotes		
		C	B	L
165	HERCULES maschio ristretto gradino da 8 mm/ HERCULES narrow male hinge 8 mm adapter/ HERCULES mâle étroit palier de 8 mm	36,2	18	55,3-2 parts
166	HERCULES maschio ristretto gradino da 7 mm/ HERCULES narrow male hinge 7 mm adapter/ HERCULES mâle étroit palier de 7 mm	36,2	18	55,3-2 parts
167	HERCULES maschio ristretto gradino da 5 mm/ HERCULES narrow male hinge 5 mm adapter/ HERCULES mâle étroit palier de 5 mm	36,2	18	55,3-2 parts
168	HERCULES maschio ristretto a base piana/ HERCULES flat base narrow male hinge/ HERCULES mâle étroit à base plane	36,2	18	55,3-2 parts
169	HERCULES interasse 42/ HERCULES centre distance 42/ HERCULES entraxe 42	36,2	18	42-2 parts
170	HERCULES interasse 61/ HERCULES centre distance 61/ HERCULES entraxe 61	36,2	18	61-2 parts
171	HERCULES interasse 80/ HERCULES centre distance 80/ HERCULES entraxe 80	36,2	18	80-2 parts
172	HERCULES 3 ALL interasse 61/ HERCULES 3 WING hinge with centre distance 61/ HERCULES 3 LAMES entraxe 61	36,2	18	61-3 parts
173	HERCULES 3 ALL interasse 80/ HERCULES 3 WING hinge with centre distance 80/ HERCULES 3 LAMES entraxe 80	36,2	18	80-3 parts
305	CERNIERA SPECIALE REUNION/ SPECIAL REUNION HINGE/ PAUMELLE SPECIALE REUNION			
306	CERNIERA SPECIALE REUNION 3 ALL/ SPECIAL 3 WING REUNION HINGE/ PAUMELLE SPECIALE REUNION 3 LAMES			



CERNIERA HERCULES

CARATTERISTICHE

Cerniera studiata e progettata per porte per il profilo Gelosia.

MATERIALI E COMPONENTI

1 pz. Cerniera speciale Reunion maschio lega 6060
 1 pz. Cerniera speciale Reunion femmina lega 6060
 2 boccole sistema regolabile
 2 Tappi boccole eccentriche
 1 rondella sistema regolabile
 1 perno d.11xL.65 inox 304
 2 piastrine di fissaggio cerniera speciale in alluminio
 4 viti TBEI M6x14 inox UNI 7380
 2 grani a coppa M6x10 inox

FINITURE

Anodizzato: argento, bronzo, elettrocolore, elox nero.
 Verniciato: Ral standard vedi tabella colori
 Speciali: Oro

CONFEZIONI

15 pz per confezione



HERCULES HINGE

CHARACTERISTICS

Hinge designed and developed for doors for Gelosia profile.

MATERIALS AND COMPONENTS

1 pc Special Reunion male hinge alloy 6060
 1 pc Special Reunion female hinge alloy 6060
 2 Adjustable system bushes
 2 Caps for eccentric bushes
 1 Adjustable system washer
 1 Stainless steel 304 pin d.11xL.65
 2 Fixing plates special aluminium hinge
 4 TBEI M6x14 stainless steel screws UNI 7380
 2 M6x10 Stainless steel dowels

FINISHES

Anodized: silver, bronze, electro colour, black elox
 Ral: standard, colour chart
 Specials: gold

PACKS

15 pcs in each pack



PAUMELLE HERCULES

CARACTERISTIQUES

Paumelle étudiée et projetée pour portes avec profil Gelosia.

MATERIAUX ET PIECES

1 paumelle spéciale Réunion mâle alliage 6060
 1 paumelle spéciale Réunion femelle alliage 6060
 2 douilles système réglable
 2 bouchons de douilles excentriques
 1 rondelle système réglable
 1 axe d.11xL.65 inox 304
 2 plaques de fixation paumelle spéciale en aluminium
 4 vis TBEI M6x14 inox UNI 7380
 2 boulons à pointe M6x10 inox

FINITIONS

Anodisées: argent, bronze, couleur électrique, elox noir
 Ral: standard, tableau des couleurs
 Speciale: or

EMBALLAGES

15 pièces par boîte

Cerniera Hercules



306

ART.	Descrizione profilati/Description of sections/Type of profilé	Quote/Dimensions/Cotes		
		C	B	L
165	HERCULES maschio ristretto gradino da 8 mm/ HERCULES narrow male hinge 8 mm adapter/ HERCULES mâle étroit palier de 8 mm	36,2	18	55,3-2 parts
166	HERCULES maschio ristretto gradino da 7 mm/ HERCULES narrow male hinge 7 mm adapter/ HERCULES mâle étroit palier de 7 mm	36,2	18	55,3-2 parts
167	HERCULES maschio ristretto gradino da 5 mm/ HERCULES narrow male hinge 5 mm adapter/ HERCULES mâle étroit palier de 5 mm	36,2	18	55,3-2 parts
168	HERCULES maschio ristretto a base piana/ HERCULES flat base narrow male hinge/ HERCULES mâle étroit à base plane	36,2	18	55,3-2 parts
169	HERCULES interasse 42/ HERCULES centre distance 42/ HERCULES entraxe 42	36,2	18	42-2 parts
170	HERCULES interasse 61/ HERCULES centre distance 61/ HERCULES entraxe 61	36,2	18	61-2 parts
171	HERCULES interasse 80/ HERCULES centre distance 80/ HERCULES entraxe 80	36,2	18	80-2 parts
172	HERCULES 3 ALI interasse 61/ HERCULES 3 WING hinge with centre distance 61/ HERCULES 3 LAMES entraxe 61	36,2	18	61-3 parts
173	HERCULES 3 ALI interasse 80/ HERCULES 3 WING hinge with centre distance 80/ HERCULES 3 LAMES entraxe 80	36,2	18	80-3 parts
305	CERNIERA SPECIALE REUNION/ SPECIAL REUNION HINGE/ PAUMELLE SPECIALE REUNION			
306	CERNIERA SPECIALE REUNION 3 ALI/ SPECIAL 3 WING REUNION HINGE/ PAUMELLE SPECIALE REUNION 3 LAMES			



CERNIERA HERCULES

CARATTERISTICHE

Cerniera studiata e progettata per porte per il profilo Gelosia.

MATERIALI E COMPONENTI

2 pz. Cerniera speciale Reunion maschio
1 pz. Cerniera speciale Reunion femmina
1 boccola 3 ali sistema regolabile JMD
2 boccole sistema regolabile
2 Tappi boccola eccentrica
3 piastrine di fissaggio cerniera speciale in alluminio
2 rondelle sistema regolabile JMD
6 viti TBEI M6x14 inox UNI 7380

FINITURE

Anodizzato: argento, bronzo, elettrocolore, elox nero.
Verniciato: Ral standard vedi tabella colori
Speciali: Oro

CONFEZIONI

15 pz per confezione



HERCULES HINGE

CHARACTERISTICS

Hinge designed and developed for doors for Gelosia profile.

MATERIALS AND COMPONENTS

2 pcs Special Reunion male hinge
1 pc Special Reunion female hinge
1 3 wing bush JMD adjustable system
2 Adjustable system bushes
2 Eccentric bush caps
3 Fixing plates special aluminium hinge
2 JMD adjustable system washers
6 TBEI M6x14 stainless steel screws UNI 7380

FINISHES

Anodized: silver, bronze, electro colour, black elox
Ral: standard, colour chart
Specials: gold

PACKS

15 pcs in each pack



PAUMELLE HERCULES

CARACTERISTIQUES

Paumelle étudiée et projetée pour portes avec profil Gelosia.

MATERIAUX ET PIECES

2 paumelles spéciales Réunion mâle
1 paumelle spéciale Réunion femelle
1 douille 3 ailes système réglable JMD
2 douilles système réglable
2 bouchons de douilles excentriques
3 plaques de fixation paumelle spéciale en aluminium
2 rondelles système réglable JMD
6 vis TBEI M6x14 inox UNI 7380

FINITIONS

Anodisées: argent, bronze, couleur électrique, elox noir
Ral: standard, tableau des couleurs
Speciale: or

EMBALLAGES

15 pièces par boîte

ART.	Descrizione/Description/Type
175	GRADINO/Adapter/Palier da 8 mm



ART.	Descrizione/Description/Type
175/1	GRADINO/Adapter/Palier da 7 mm



CARATTERISTICHE

Il gradino per le cerniere Hercules è stato realizzato in alluminio lega 6060 ed è il sistema più semplice ed economico per adattare la stessa cerniera Hercules a tutti i profili a base piana e sormonto.

MATERIALI E COMPONENTI
1 pz. alluminio lega 6060

FINITURE

Anodizzato: argento, bronzo, elettrocolore, elox nero.
Verniciato: Ral standard vedi tabella colori
Speciali: Oro

CONFEZIONI

10 pz per confezione



CHARACTERISTICS

The adapter for Hercules hinges, in aluminium alloy 6060, is the most economic way of adapting the Hercules hinge to all flat base and overlapping sections.

MATERIALS AND COMPONENTS
1 pc aluminium alloy 6060

FINISHES

Anodized: silver, bronze, electro colour, black elox
Ral: standard, colour chart
Specials: gold

PACKS

10 pcs in each pack



CARACTERISTIQUES

Le palier pour les paumelles Hercules a été réalisé en aluminium alliage 6060. Il s'agit là du système le plus simple et le plus économique pour adapter la paumelle Hercules à tous les profils à base plane et superposée.

MATERIAUX ET PIÈCES
1 pièce en aluminium alliage 6060

FINITIONS

Anodisées: argent, bronze, couleur électrique, elox noir
Ral: standard, tableau des couleurs
Spéciale: or

EMBALLAGES

10 pièces par boîte

Accessori Cerniera Hercules

ART.	Descrizione profilati/Description of sections/Type of profilé
175/6	GRADINO/Adapter/Palier da 6 mm

175/6

ART.	Descrizione profilati/Description of sections/Type of profilé
175/2	GRADINO/Adapter/Palier da 5 mm

175/2

ART.	Descrizione profilati/Description of sections/Type of profilé
175/3	GRADINO/Adapter/Palier da 4 mm

175/3

CARATTERISTICHE

Il gradino per le cerniere Hercules è stato realizzato in alluminio lega 6060 ed è il sistema più semplice ed economico per adattare la stessa cerniera Hercules a tutti i profili a base piana e sormonto.

MATERIALI E COMPONENTI
1 pz. alluminio lega 6060

FINITURE
Anodizzato: argento, bronzo, elettrocolore, elox nero.
Verniciato: Ral standard vedi tabella colori
Speciali: Oro

CONFEZIONI
10 pz per confezione

CHARACTERISTICS

The adapter for Hercules hinges, in aluminium alloy 6060, is the most economic way of adapting the Hercules hinge to all flat base and overlapping sections.

MATERIALS AND COMPONENTS
1 pc aluminium alloy 6060

FINISHES
Anodized: silver, bronze, electro colour, black elox
Ral: standard, colour chart
Specials: gold

PACKS
10 pcs in each pack

CARACTERISTIQUES

Le palier pour les paumelles Hercules a été réalisé en aluminium alliage 6060. Il s'agit là du système le plus simple et le plus économique pour adapter la paumelle Hercules à tous les profils à base plane et superposée.

MATERIAUX ET PIÈCES
1 pièce en aluminium alliage 6060

FINITIONS
Anodisées: argent, bronze, couleur électrique, elox noir
Ral: standard, tableau des couleurs
Spéciale: or

EMBALLAGES
10 pièces par boîte

Accessori Cerniera Hercules

ART.	Descrizione/Description/Type
175/4	GRADINO/Adapter/Palier da 9 mm



ART.	Descrizione/Description/Type
175/5	GRADINO/Adapter/Palier da 10 mm



CARATTERISTICHE

Il gradino per le cerniere Hercules è stato realizzato in alluminio lega 6060 ed è il sistema più semplice ed economico per adattare la stessa cerniera Hercules a tutti i profili a base piana e sormonto.

MATERIALI E COMPONENTI
1 pz. alluminio lega 6060

FINITURE

Anodizzato: argento, bronzo, elettrocolore, elox nero.
Verniciato: Ral standard vedi tabella colori
Speciali: Oro

CONFEZIONI
10 pz per confezione



CHARACTERISTICS

The adapter for Hercules hinges, in aluminium alloy 6060, is the most economic way of adapting the Hercules hinge to all flat base and overlapping sections.

MATERIALS AND COMPONENTS
1 pc aluminium alloy 6060

FINISHES

Anodized: silver, bronze, electro colour, black elox
Ral: standard, colour chart
Specials: gold

PACKS
10 pcs in each pack



CARACTERISTIQUES

1 palier pour les paumelles Hercules a été réalisé en aluminium alliage 6060. Il s'agit là du système le plus simple et le plus économique pour adapter la paumelle Hercules à tous les profils à base plane et superposée.

MATERIAUX ET PIÈCES
1 pièce en aluminium alliage 6060

FINITIONS

Anodisées: argent, bronze, couleur électrique, elox noir
Ral: standard, tableau des couleurs
Speciale: or

EMBALLAGES
10 pièces par boîte

Accessori Cerniera Hercules

176

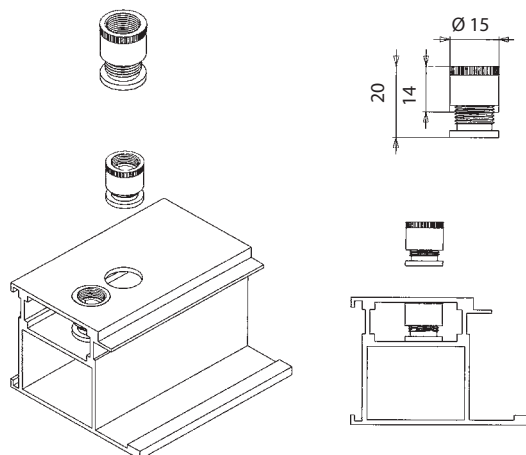


ART.

Descrizione profilati/Description of sections/Type of profilé

176

DISTANZIATORE REGOLABILI/ Adjustable galvanized/ Ecarteur réglable da 14 mm a 20 mm



177

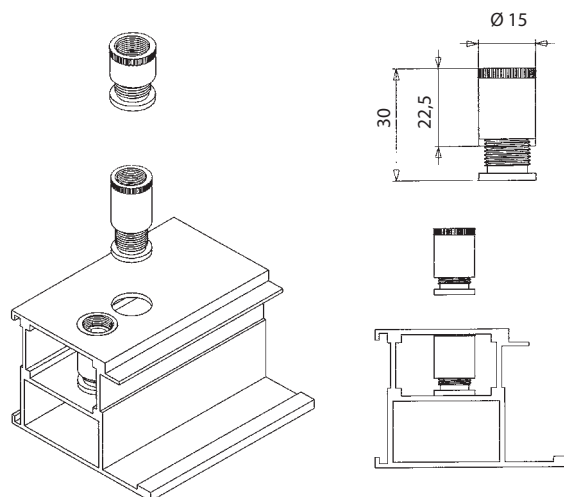


ART.

Descrizione profilati/Description of sections/Type of profilé

177

DISTANZIATORE REGOLABILI/ Adjustable galvanized/ Ecarteur réglable da 22,5 mm a 30 mm



CARATTERISTICHE

Distanziatore regolabile zincato per l'applicazione delle cerniere Hercules su profili a taglio termico. Campo di regolazione da 14 a 20 mm

FINITURE
Zincato

CONFEZIONI
100 pz per confezione



CHARACTERISTICS

Adjustable galvanized spacer to mount Hercules hinges on thermal cut sections. Adjustemnt range from 14 to 20 mm

FINISHES
Galvanised

PACKS
100 pz per confezione



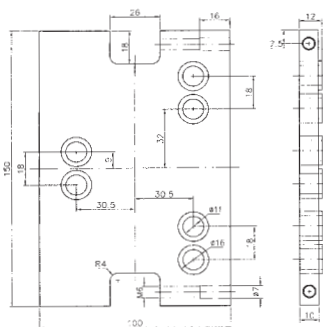
CARACTERISTIQUES

Ecarteur réglable zingué pour l'application des paumelles Hercules sur des profils à coupe thermique. Champs de réglage de 14 à 20 mm

FINITIONS
Zingué

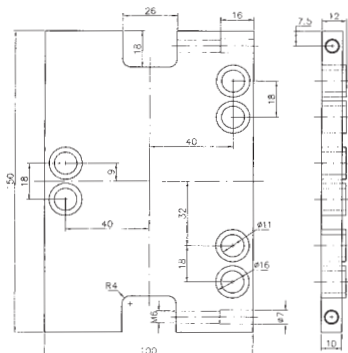
EMBALLAGES
100 pz per confezione

ART.	Descrizione/Description/Type
2000	DIMA/Template/Gabarit PER HERCULES int.61



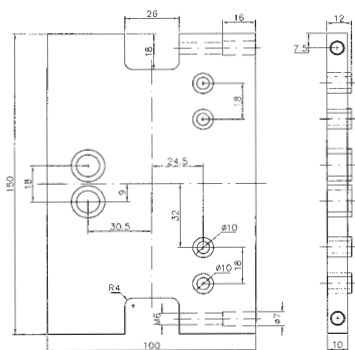
2000

ART.	Descrizione/Description/Type
2001	DIMA/Template/Gabarit PER HERCULES int.80



2001

ART.	Descrizione/Description/Type
2002	DIMA PER HERCULES MASCHIO RISTRETTO/ Template for HERCULES narrow male hinge/ Gabarit pour HERCULES mâle étroit



2002



CARATTERISTICHE

Dima in alluminio estruso per lavorazione dei profilati per il montaggio delle cerniere Hercules 2 ali o 3 ali con interasse 61 mm (2000) - interasse 80 mm (2001) - interasse 55 mm (2002). Sistema di fissaggio laterale.

FINITURE
Grezza

CONFEZIONI
1 pz per confezione



CHARACTERISTICS

Sections to mount Hercules 2 or 3 wing hinges with distance between centres of 61 mm (2000) - 80 mm (2001) - 55 mm (2002). Side fixing system.

FINISHES
Mill finish

PACKS
1 pz per confezione



CARACTERISTIQUES

Gabarit en aluminium extrudé pour fabrication des profilés pour le montage des paumelles Hercules 2 ailes ou 3 ailes avec entraxe 61 mm (2000) - entraxe 80 mm (2001) - entraxe 55 mm (2002). Système de fixation latéral.

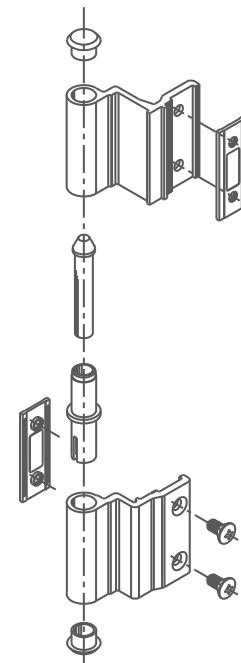
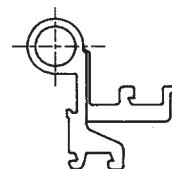
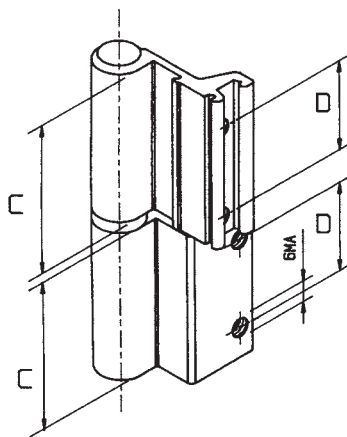
FINITIONS
Brut

EMBALLAGES
1 pz per confezione

Cerniere per Giunto Aperto



160/1



ART.	Descrizione profilati/Description of sections/Type of profilé	Quote/Dimensions/Cotes	
		C	D
160/1	ALL.CO 5 COMPLANARE/ COPLANAR / COPLANAIRE	50	30
160/2	DOMAL STOPPER - EXPORT 40/50	50	30
160/3	ALFETTA	50	30
160/5	NC INTERNATIONAL	50	30
160/6	ERRE 40/50	50	30
160/7	ALL.CO 1	45	30
160/8	ERRE 4 3^ANTA	50	30
160/9	NC NUOVO SORMONTO	50	30
160/10	EKIP 40 COMPLANARE	50	30
160/11	NC INTERNATIONAL 3^ANTA	50	30
160/12	DOMAL STOPPER 3^ANTA	50	30
160/13	ALL.CO 5 SORMONTO	50	30
160/14	ALL.CO 5 SORMONTO 3^ANTA	50	30
160/15	EURO STOPPER	50	30
160/16	EKIP 40 3^ANTA	50	30
160/17	EKIP 40 SORMONTO	45	30
160/18	DOMAL 40 ARROTONDATO	50	30
163/2	DOMAL STOPPER COLLO LUNGO/ LONG NECK/ COL LONG	50	30
191/1	CERNIERA PER PERSIANA EPOCAL/ HINGE FOR EPOCAL SHUTTER/ PAUMELLE POUR VOLET EPOCAL	50	30
191/2	CERN. PER PERS. EPOCAL COLLO LUNGO/ LONG NECK HINGE FOR EPOCAL SHUTTER/ PAUMELLE POUR VOLET EPOCAL COL LONG	50	30
194	P 4 SORMONTO	50	30
195	P 4 SORMONTO 3^ANTA	50	30
199/W3	ALL.CO WOOD 3^ANTA	45	30
160/20	REAL	50	30
160/2/3	DOMAL STOPPER 3 ALI/WINGS/ LAMES	50	30
160/15/3	EURO STOP 3 ALI/WINGS/ LAMES	50	30
160/6/3	R4 CON GRANI/ WITH DOWELS/ AVEC BOULONS 3 ALI/ WINGS/ LAMES	50	30
160/5/3	NC INTERNATIONAL 3 ALI/ WINGS/ LAMES	50	30
160/12/3	DOMAL STOP 3^ANTA 3 ALI/ WINGS/ LAMES	50	30
160/13/3	ALL.CO 5 SORM 3 ALI/ WINGS/ LAMES	50	30



CARATTERISTICHE

Cerniera di tipo reversibile studiata e realizzata con una particolare forma di fissaggio. Nel materiale in dotazione, infatti, ci sono 4 viti inox, la cui particolare forma consente, una volta avvitata la cerniera, di creare delle interferenze sulla cassa del serramento, aumentando in modo notevole le capacità di portata della cerniera, che è di 80 Kg per coppia cerniera. Le piastrine in acciaio inox in dotazione, inoltre, sono zigrinate sui lati per consentire maggiore tenuta nel fissaggio. I risultati ottenuti sono frutto delle prove tecniche fatte dalla CASAL su ogni tipo di profilo.

MATERIALI E COMPONENTI

1 pz. Cerniera in alluminio estruso maschio lega 6060
1 pz. Cerniera in alluminio estruso femmina lega 6060
1 boccola in nylon
2 tappi in nylon
1 perno zincato d. 8xL52
2 piastrine di fissaggio inox aisi 430
4 viti inox da M5

FINITURE

Anodizzato: argento, bronzo, elettrocolore, elox nero.
Verniciato: Ral standard vedi tabella colori
Speciali: Oro

CONFEZIONI

50 pz per confezione

VARIANTI

-A richiesta è possibile avere il perno in ox
-Le cerniere possono essere richieste 3 ali.



CHARACTERISTICS OPEN JOINT HINGE

Reversible type hinges designed and made with a particular fixing system. In fact, in the materials provided there are 4 special stainless steel screws; the particular shape of these screws, once the hinge is screwed on, create interferences on the door frame, considerably increasing hinge bearing capacity, which is of 80 Kg per hinge pair. In addition, the fixing plates in stainless steel furnished with, are knurling on sides to permit more fixing tightness. The results achieved are the fruit of technical tests that CASAL has conducted on all types of sections.

MATERIALS AND COMPONENTS

1 pc extruded aluminium male hinge alloy 6060
1 pc extruded aluminium female hinge alloy 6060
1 nylon bush
2 nylon caps
1 galvanized pin d. 8xL52
2 fixing plates inox aisi 430
4 M5 screws inox aisi 304

FINISHES

Anodized: silver, bronze, electro colour, black elox
Ral: standard, colour chart
Specials: gold

PACKS

50 pcs in each pack

OPTIONAL: On request

-the hinges can be supplied with pin in stainless steel
-Also available with three wings version



CARACTERISTIQUES PAUMELLE A JOINT OUVERT

Paumelle de type réversible, étudiée et réalisée avec un trou de fixation spécial. En effet, les accessoires fournis incluent 4 vis spéciales inox; leur forme particulière permet, une fois la paumelle vissée, de modifier la caisse de la menuiserie et d'augmenter considérablement la charge maximale de la paumelle, qui est de 80 Kg par paire de paumelle. Paumelle dotée de deux plaques en acier inox zinguées sur les côtés pour permettre une fixation plus résistante. Les résultats obtenus sont le fruit d'essais techniques effectués par CASAL sur tous les types de profils.

MATERIAUX ET PIECES

1 Paumelle en aluminium extrudé male alliage 6060
1 paumelle en aluminium extrudé femelle alliage 6060
1 douille en nylon
2 bouchons en nylon
1 axe zincué d. 8xL52
2 plaques de fixation inox aisi 430
4 vis M5 inox aisi 304

FINITIONS

Anodisées: argent, bronze, couleur électrique, elox noir
Ral: standard, tableau des couleurs
Speciale: or

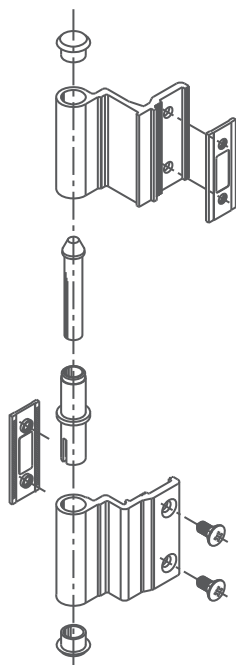
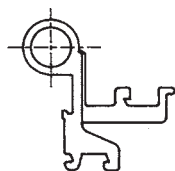
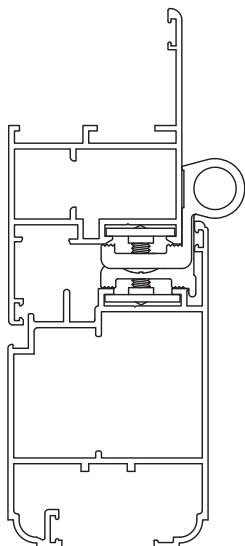
EMBALLAGES

50 pièces par boîte

SUR DEMANDE:

-paumelle peut être demandée avec axe en acier inox
-paumelle peut être demandée tris

160/2 (CAMERA EUROPEA)



Cerniere per Giunto Aperto



160/2

ART.	Descrizione profilati/Description of sections/Type of profilé	Quote/Dimensions/Cotes	
		C	D
160/1	ALL.CO 5 COMPLANARE/ COPLANAR/ COPLANAIRE	50	30
160/2	DOMAL STOPPER - EXPORT 40/50	50	30
160/3	ALFETTA	50	30
160/5	NC INTERNATIONAL	50	30
160/6	ERRE 40/50	50	30
160/7	ALL.CO 1	45	30
160/8	ERRE 4 3^ANTA	50	30
160/9	NC NUOVO SORMONTO	50	30
160/10	EKIP 40 COMPLANARE	50	30
160/11	NC INTERNATIONAL 3^ANTA	50	30
160/12	DOMAL STOPPER 3^ANTA	50	30
160/13	ALL.CO 5 SORMONTO	50	30
160/14	ALL.CO 5 SORMONTO 3^ANTA	50	30
160/15	EURO STOPPER	50	30
160/16	EKIP 40 3^ANTA	50	30
160/17	EKIP 40 SORMONTO	45	30
160/18	DOMAL 40 ARROTONDATO	50	30
163/2	DOMAL STOPPER COLLO LUNGO/ LONG NECK/ COL LONG	50	30
191/1	CERNIERA PER PERSIANA EPOCAL/ HINGE FOR EPOCAL SHUTTER/ PAUMELLE POUR VOLET EPOCAL	50	30
191/2	CERN. PER PERS. EPOCAL COLLO LUNGO/ LONG NECK HINGE FOR EPOCAL SHUTTER/ PAUMELLE POUR VOLET EPOCAL COL LONG	50	30
194	P 4 SORMONTO	50	30
195	P 4 SORMONTO 3^ANTA	50	30
199/W3	ALL.CO WOOD 3^ANTA	45	30
160/20	REAL	50	30
160/2/3	DOMAL STOPPER 3 ALI/WINGS/ LAMES	50	30
160/15/3	EURO STOP 3 ALI/WINGS/ LAMES	50	30
160/6/3	R4 CON GRANI/ WITH DOWELS/ AVEC BOULONS 3 ALI/ WINGS/ LAMES	50	30
160/5/3	NC INTERNATIONAL 3 ALI/ WINGS/ LAMES	50	30
160/12/3	DOMAL STOP 3^ANTA 3 ALI/ WINGS/ LAMES	50	30
160/13/3	ALL.CO 5 SORM 3 ALI/ WINGS/ LAMES	50	30



CARATTERISTICHE

Cerniera di tipo reversibile studiata e realizzata con una particolare forma di fissaggio. Nel materiale in dotazione, infatti, ci sono 4 viti inox, la cui particolare forma consente, una volta avvitata la cerniera, di creare delle interferenze sulla cassa del serramento, aumentando in modo notevole le capacità di portata della cerniera, che è di 80 Kg per coppia cerniera. Le piastrine in acciaio inox in dotazione, inoltre, sono zigrinate sui lati per consentire maggiore tenuta nel fissaggio. I risultati ottenuti sono frutto delle prove tecniche fatte dalla CASAL su ogni tipo di profilo.

MATERIALI E COMPONENTI

1 pz. Cerniera in alluminio estruso maschio lega 6060
1 pz. Cerniera in alluminio estruso femmina lega 6060
1 boccia in nylon
2 tappi in nylon
1 perno zincato d. 8xL52
2 piastrine di fissaggio inox aisi 430
4 viti inox da M5

FINITURE

Anodizzato: argento, bronzo, elettrocolore, elox nero.
Verniciato: Ral standard vedi tabella colori
Speciali: Oro

CONFEZIONI

50 pz per confezione

VARIANTI

-A richiesta è possibile avere il perno inox
-Le cerniere possono essere richieste 3 ali.



CHARACTERISTICS OPEN JOINT HINGE

Reversible type hinges designed and made with a particular fixing system. In fact, in the materials provided there are 4 special stainless steel screws; the particular shape of these screws, once the hinge is screwed on, create interferences on the door frame, considerably increasing hinge bearing capacity, which is of 80 Kg per hinge pair. In addition, the fixing plates in stainless steel furnished with, are knurling on sides to permit more fixing tightness. The results achieved are the fruit of technical tests that CASAL has conducted on all types of sections.

MATERIALS AND COMPONENTS

1 pc extruded aluminium male hinge alloy 6060
1 pc extruded aluminium female hinge alloy 6060
1 nylon bush
2 nylon caps
1 galvanized pin d. 8xL52
2 fixing plates inox aisi 430
4 M5 screws inox aisi 304

FINISHES

Anodized: silver, bronze, electro colour, black elox
Ral: standard, colour chart
Specials: gold

PACKS

50 pcs in each pack

OPTIONAL: On request

-the hinges can be supplied with pin in stainless steel
-Also available with three wings version



CARACTERISTIQUES PAUMELLE A JOINT OUVERT

Paumelle de type réversible, étudiée et réalisée avec un trou de fixation spécial. En effet, les accessoires fournis incluent 4 vis spéciales inox; leur forme particulière permet, une fois la paumelle vissée, de modifier la caisse de la menuiserie et d'augmenter considérablement la charge maximale de la paumelle, qui est de 80 Kg par paire de paumelle. Paumelle dotée de deux plaques en acier inox zinguées sur les côtés pour permettre une fixation plus résistante. Les résultats obtenus sont le fruit d'essais techniques effectués par CASAL sur tous les types de profils.

MATERIAUX ET PIECES

1 Paumelle en aluminium extrudé male alliage 6060
1 paumelle en aluminium extrudé femelle alliage 6060
1 douille en nylon
2 bouchons en nylon
1 axe zingué d. 8xL52
2 plaques de fixation inox aisi 430
4 vis M5 inox aisi 304

FINITIONS

Anodisées: argent, bronze, couleur électrique, elox noir
Ral: standard, tableau des couleurs
Speciale: or

EMBALLAGES

50 pièces par boîte

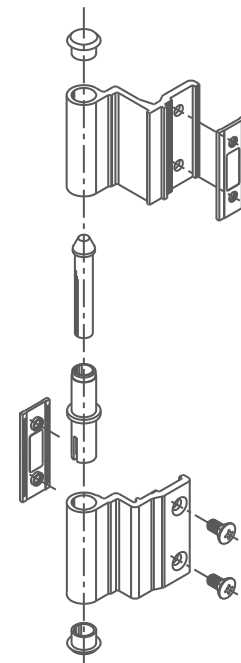
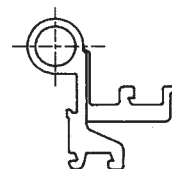
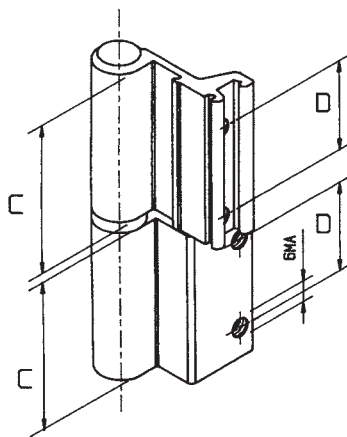
SUR DEMANDE:

-paumelle peut être demandée avec axe en acier inox
-paumelle peut être demandée tris

Cerniere per Giunto Aperto



160/3



ART.	Descrizione profilati/Description of sections/Type of profilé	Quote/Dimensions/Cotes	
		C	D
160/1	ALL.CO 5 COMPLANARE/ COPLANAR / COPLANAIRE	50	30
160/2	DOMAL STOPPER - EXPORT 40/50	50	30
160/3	ALFETTA	50	30
160/5	NC INTERNATIONAL	50	30
160/6	ERRE 40/50	50	30
160/7	ALL.CO 1	45	30
160/8	ERRE 4 3^ANTA	50	30
160/9	NC NUOVO SORMONTO	50	30
160/10	EKIP 40 COMPLANARE	50	30
160/11	NC INTERNATIONAL 3^ANTA	50	30
160/12	DOMAL STOPPER 3^ANTA	50	30
160/13	ALL.CO 5 SORMONTO	50	30
160/14	ALL.CO 5 SORMONTO 3^ANTA	50	30
160/15	EURO STOPPER	50	30
160/16	EKIP 40 3^ANTA	50	30
160/17	EKIP 40 SORMONTO	45	30
160/18	DOMAL 40 ARROTONDATO	50	30
163/2	DOMAL STOPPER COLLO LUNGO/ LONG NECK/ COL LONG	50	30
191/1	CERNIERA PER PERSIANA EPOCAL/ HINGE FOR EPOCAL SHUTTER/ PAUMELLE POUR VOLET EPOCAL	50	30
191/2	CERN. PER PERS. EPOCAL COLLO LUNGO/ LONG NECK HINGE FOR EPOCAL SHUTTER/ PAUMELLE POUR VOLET EPOCAL COL LONG	50	30
194	P 4 SORMONTO	50	30
195	P 4 SORMONTO 3^ANTA	50	30
199/W3	ALL.CO WOOD 3^ANTA	45	30
160/20	REAL	50	30
160/2/3	DOMAL STOPPER 3 ALI/WINGS/ LAMES	50	30
160/15/3	EURO STOP 3 ALI/WINGS/ LAMES	50	30
160/6/3	R4 CON GRANI/ WITH DOWELS/ AVEC BOULONS 3 ALI/ WINGS/ LAMES	50	30
160/5/3	NC INTERNATIONAL 3 ALI/ WINGS/ LAMES	50	30
160/12/3	DOMAL STOP 3^ANTA 3 ALI/ WINGS/ LAMES	50	30
160/13/3	ALL.CO 5 SORM 3 ALI/ WINGS/ LAMES	50	30



CARATTERISTICHE

Cerniera di tipo reversibile studiata e realizzata con una particolare forma di fissaggio. Nel materiale in dotazione, infatti, ci sono 4 viti inox, la cui particolare forma consente, una volta avvitata la cerniera, di creare delle interferenze sulla cassa del serramento, aumentando in modo notevole le capacità di portata della cerniera, che è di 80 Kg per coppia cerniera. Le piastrine in acciaio inox in dotazione, inoltre, sono zigrinate sui lati per consentire maggiore tenuta nel fissaggio. I risultati ottenuti sono frutto delle prove tecniche fatte dalla CASAL su ogni tipo di profilo.

MATERIALI E COMPONENTI

1 pz. Cerniera in alluminio estruso maschio lega 6060
1 pz. Cerniera in alluminio estruso femmina lega 6060
1 boccola in nylon
2 tappi in nylon
1 perno zincato d. 8xL52
2 piastrine di fissaggio inox aisi 430
4 viti inox da M5

FINITURE

Anodizzato: argento, bronzo, elettrocolore, elox nero.
Verniciato: Ral standard vedi tabella colori
Speciali: Oro

CONFEZIONI

50 pz per confezione

VARIANTI

-A richiesta è possibile avere il perno in inox
-Le cerniere possono essere richieste 3 ali.



CHARACTERISTICS OPEN JOINT HINGE

Reversible type hinges designed and made with a particular fixing system. In fact, in the materials provided there are 4 special stainless steel screws; the particular shape of these screws, once the hinge is screwed on, create interferences on the door frame, considerably increasing hinge bearing capacity, which is of 80 Kg per hinge pair. In addition, the fixing plates in stainless steel furnished with, are knurling on sides to permit more fixing tightness. The results achieved are the fruit of technical tests that CASAL has conducted on all types of sections.

MATERIALS AND COMPONENTS

1 pc extruded aluminium male hinge alloy 6060
1 pc extruded aluminium female hinge alloy 6060
1 nylon bush
2 nylon caps
1 galvanized pin d. 8xL52
2 fixing plates inox aisi 430
4 M5 screws inox aisi 304

FINISHES

Anodized: silver, bronze, electro colour, black elox
Ral: standard, colour chart
Specials: gold

PACKS

50 pcs in each pack

OPTIONAL: On request

-the hinges can be supplied with pin in stainless steel
-Also available with three wings version



CARACTERISTIQUES PAUMELLE A JOINT OUVERT

Paumelle de type réversible, étudiée et réalisée avec un trou de fixation spécial. En effet, les accessoires fournis incluent 4 vis spéciales inox; leur forme particulière permet, une fois la paumelle vissée, de modifier la caisse de la menuiserie et d'augmenter considérablement la charge maximale de la paumelle, qui est de 80 Kg par paire de paumelle. Paumelle dotée de deux plaques en acier inox zinguées sur les côtés pour permettre une fixation plus résistante. Les résultats obtenus sont le fruit d'essais techniques effectués par CASAL sur tous les types de profils.

MATERIAUX ET PIECES

1 Paumelle en aluminium extrudé male alliage 6060
1 paumelle en aluminium extrudé femelle alliage 6060
1 douille en nylon
2 bouchons en nylon
1 axe zincé d. 8xL52
2 plaques de fixation inox aisi 430
4 vis M5 inox aisi 304

FINITIONS

Anodisées: argent, bronze, couleur électrique, elox noir
Ral: standard, tableau des couleurs
Speciale: or

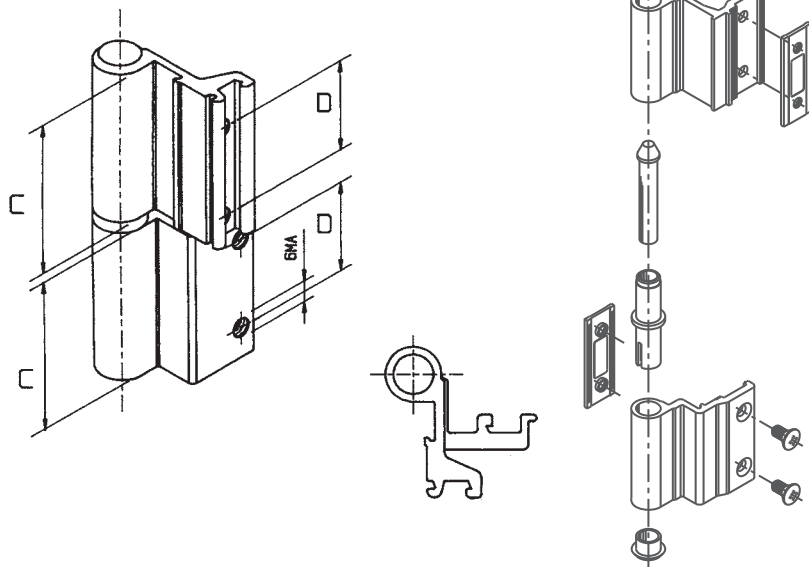
EMBALLAGES

50 pièces par boîte

SUR DEMANDE:

-paumelle peut être demandée avec axe en acier inox
-paumelle peut être demandée tris

Cerniere per Giunto Aperto



160/5

ART.	Descrizione profilati/Description of sections/Type of profilé	Quote/Dimensions/Cotes	
		C	D
160/1	ALL.CO 5 COMPLANARE/ COPLANAR/ COPLANAIRE	50	30
160/2	DOMAL STOPPER - EXPORT 40/50	50	30
160/3	ALFETTA	50	30
160/5	NC INTERNATIONAL	50	30
160/6	ERRE 40/50	50	30
160/7	ALL.CO 1	45	30
160/8	ERRE 4 3^ANTA	50	30
160/9	NC NUOVO SORMONTO	50	30
160/10	EKIP 40 COMPLANARE	50	30
160/11	NC INTERNATIONAL 3^ANTA	50	30
160/12	DOMAL STOPPER 3^ANTA	50	30
160/13	ALL.CO 5 SORMONTO	50	30
160/14	ALL.CO 5 SORMONTO 3^ANTA	50	30
160/15	EURO STOPPER	50	30
160/16	EKIP 40 3^ANTA	50	30
160/17	EKIP 40 SORMONTO	45	30
160/18	DOMAL 40 ARROTONDATO	50	30
163/2	DOMAL STOPPER COLLO LUNGO/ LONG NECK/ COL LONG	50	30
191/1	CERNIERA PER PERSIANA EPOCAL/ HINGE FOR EPOCAL SHUTTER/ PAUMELLE POUR VOLET EPOCAL	50	30
191/2	CERN. PER PERS. EPOCAL COLLO LUNGO/ LONG NECK HINGE FOR EPOCAL SHUTTER/ PAUMELLE POUR VOLET EPOCAL COL LONG	50	30
194	P 4 SORMONTO	50	30
195	P 4 SORMONTO 3^ANTA	50	30
199/W3	ALL.CO WOOD 3^ANTA	45	30
160/20	REAL	50	30
160/2/3	DOMAL STOPPER 3 ALI/WINGS/LAMES	50	30
160/15/3	EURO STOP 3 ALI/WINGS/LAMES	50	30
160/6/3	R4 CON GRANI/ WITH DOWELS/ AVEC BOULONS 3 ALI/ WINGS/LAMES	50	30
160/5/3	NC INTERNATIONAL 3 ALI/ WINGS/LAMES	50	30
160/12/3	DOMAL STOP 3^ANTA 3 ALI/ WINGS/LAMES	50	30
160/13/3	ALL.CO 5 SORM 3 ALI/ WINGS/LAMES	50	30



CARATTERISTICHE

Cerniera di tipo reversibile studiata e realizzata con una particolare forma di fissaggio. Nel materiale in dotazione, infatti, ci sono 4 viti inox, la cui particolare forma consente, una volta avvitata la cerniera, di creare delle interferenze sulla cassa del serramento, aumentando in modo notevole le capacità di portata della cerniera, che è di 80 Kg per coppia cerniera. Le piastrine in acciaio inox in dotazione, inoltre, sono zigrinate sui lati per consentire maggiore tenuta nel fissaggio. I risultati ottenuti sono frutto delle prove tecniche fatte dalla CASAL su ogni tipo di profilo.

MATERIALI E COMPONENTI

1 pz. Cerniera in alluminio estruso maschio lega 6060
1 pz. Cerniera in alluminio estruso femmina lega 6060
1 boccia in nylon
2 tappi in nylon
1 perno zincato d. 8xL.52
2 piastrine di fissaggio inox aisi 430
4 viti inox da M5

FINITURE

Anodizzato: argento, bronzo, elettrocolore, elox nero.
Verniciato: Ral standard vedi tabella colori
Speciali: Oro

CONFEZIONI

50 pz per confezione

VARIANTI

-A richiesta è possibile avere il perno inox
-Le cerniere possono essere richieste 3 ali.



CHARACTERISTICS OPEN JOINT HINGE

Reversible type hinges designed and made with a particular fixing system. In fact, in the materials provided there are 4 special stainless steel screws; the particular shape of these screws, once the hinge is screwed on, create interferences on the door frame, considerably increasing hinge bearing capacity, which is of 80 Kg per hinge pair. In addition, the fixing plates in stainless steel furnished with, are knurling on sides to permit more fixing tightness. The results achieved are the fruit of technical tests that CASAL has conducted on all types of sections.

MATERIALS AND COMPONENTS

1 pc extruded aluminium male hinge alloy 6060
1 pc extruded aluminium female hinge alloy 6060
1 nylon bush
2 nylon caps
1 galvanized pin d. 8xL.52
2 fixing plates inox aisi 430
4 M5 screws inox aisi 304

FINISHES

Anodized: silver, bronze, electro colour, black elox
Ral: standard, colour chart
Specials: gold

PACKS

50 pcs in each pack

OPTIONAL: On request

-the hinges can be supplied with pin in stainless steel
-Also available with three wings version



CARACTERISTIQUES PAUMELLE A JOINT OUVERT

Paumelle de type réversible, étudiée et réalisée avec un trou de fixation spécial. En effet, les accessoires fournis incluent 4 vis spéciales inox; leur forme particulière permet, une fois la paumelle vissée, de modifier la caisse de la menuiserie et d'augmenter considérablement la charge maximale de la paumelle, qui est de 80 Kg par paire de paumelle. Paumelle dotée de deux plaques en acier inox zinguées sur les côtés pour permettre une fixation plus résistante. Les résultats obtenus sont le fruit d'essais techniques effectués par CASAL sur tous les types de profils.

MATERIAUX ET PIECES

1 Paumelle en aluminium extrudé male alliage 6060
1 paumelle en aluminium extrudé femelle alliage 6060
1 douille en nylon
2 bouchons en nylon
1 axe zingué d. 8xL.52
2 plaques de fixation inox aisi 430
4 vis M5 inox aisi 304

FINITIONS

Anodisées: argent, bronze, couleur électrique, elox noir
Ral: standard, tableau des couleurs
Speciale: or

EMBALLAGES

50 pièces par boîte

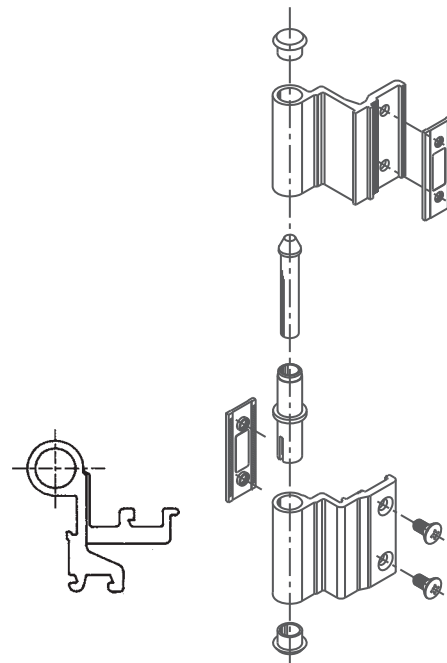
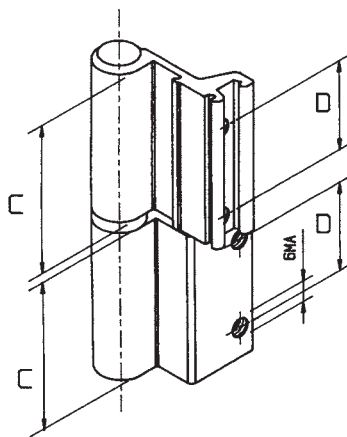
SUR DEMANDE:

-paumelle peut être demandée avec axe en acier inox
-paumelle peut être demandée tris

Cerniere per Giunto Aperto



160/6



ART.	Descrizione profilati/Description of sections/Type of profilé	Quote/Dimensions/Cotes	
		C	D
160/1	ALL.CO 5 COMPLANARE/ COPLANAR / COPLANAIRE	50	30
160/2	DOMAL STOPPER - EXPORT 40/50	50	30
160/3	ALFETTA	50	30
160/5	NC INTERNATIONAL	50	30
160/6	ERRE 40/50	50	30
160/7	ALL.CO 1	45	30
160/8	ERRE 4 3^ANTA	50	30
160/9	NC NUOVO SORMONTO	50	30
160/10	EKIP 40 COMPLANARE	50	30
160/11	NC INTERNATIONAL 3^ANTA	50	30
160/12	DOMAL STOPPER 3^ANTA	50	30
160/13	ALL.CO 5 SORMONTO	50	30
160/14	ALL.CO 5 SORMONTO 3^ANTA	50	30
160/15	EURO STOPPER	50	30
160/16	EKIP 40 3^ANTA	50	30
160/17	EKIP 40 SORMONTO	45	30
160/18	DOMAL 40 ARROTONDATO	50	30
163/2	DOMAL STOPPER COLLO LUNGO/ LONG NECK/ COL LONG	50	30
191/1	CERNIERA PER PERSIANA EPOCAL/ HINGE FOR EPOCAL SHUTTER/ PAUMELLE POUR VOLET EPOCAL	50	30
191/2	CERN. PER PERS. EPOCAL COLLO LUNGO/ LONG NECK HINGE FOR EPOCAL SHUTTER/ PAUMELLE POUR VOLET EPOCAL COL LONG	50	30
194	P 4 SORMONTO	50	30
195	P 4 SORMONTO 3^ANTA	50	30
199/W3	ALL.CO WOOD 3^ANTA	45	30
160/20	REAL	50	30
160/2/3	DOMAL STOPPER 3 ALI/WINGS/ LAMES	50	30
160/15/3	EURO STOP 3 ALI/WINGS/ LAMES	50	30
160/6/3	R4 CON GRANI/ WITH DOWELS/ AVEC BOULONS 3 ALI/ WINGS/ LAMES	50	30
160/5/3	NC INTERNATIONAL 3 ALI/ WINGS/ LAMES	50	30
160/12/3	DOMAL STOP 3^ANTA 3 ALI/ WINGS/ LAMES	50	30
160/13/3	ALL.CO 5 SORM 3 ALI/ WINGS/ LAMES	50	30



CARATTERISTICHE CERNIERE A GIUNTO APERTO

Cerniera di tipo reversibile studiata e realizzata con una particolare forma di fissaggio. Nel materiale in dotazione, infatti, ci sono 4 viti inox, la cui particolare forma consente, una volta avvitata la cerniera, di creare delle interferenze sulla cassa del serramento, aumentando in modo notevole le capacità di portata della cerniera, che è di 80 Kg per coppia cerniera. Le piastrine in acciaio inox in dotazione, inoltre, sono zigrinate sui lati per consentire maggiore tenuta nel fissaggio. I risultati ottenuti sono frutto delle prove tecniche fatte dalla CASAL su ogni tipo di profilo.

MATERIALI E COMPONENTI

1 pz. Cerniera in alluminio estruso maschio lega 6060
1 pz. Cerniera in alluminio estruso femmina lega 6060
1 boccola in nylon
2 tappi in nylon
1 perno zincato d. 8xL52
4 grani M6x10 inox x coppa

FINITURE

Anodizzato: argento, bronzo, elettrocolore, elox nero.
Verniciato: Ral standard vedi tabella colori
Speciali: Oro

CONFEZIONI

50 pz per confezione

VARIANTI

-A richiesta è possibile avere il perno in inox
-Le cerniere possono essere richieste 3 ali.



CHARACTERISTICS OPEN JOINT HINGE

Reversible type hinges designed and made with a particular fixing system. In fact, in the materials provided there are 4 special stainless steel screws; the particular shape of these screws, once the hinge is screwed on, create interferences on the door frame, considerably increasing hinge bearing capacity, which is of 80 Kg per hinge pair. In addition, the fixing plates in stainless steel furnished with, are knurling on sides to permit more fixing tightness. The results achieved are the fruit of technical tests that CASAL has conducted on all types of sections.

MATERIALS AND COMPONENTS

1 pc extruded aluminium male hinge alloy 6060
1 pc extruded aluminium female hinge alloy 6060
1 nylon bush
2 nylon caps
1 galvanized pin d. 8xL52
4 M6x10 stainless steel dowels

FINISHES

Anodized: silver, bronze, electro colour, black elox
Ral: standard, colour chart
Specials: gold

PACKS

50 pcs in each pack

OPTIONAL: On request

-the hinges can be supplied with pin in stainless steel
-Also available with three wings version



CARACTERISTIQUES PAUMELLE A JOINT OUVERT

Paumelle de type réversible, étudiée et réalisée avec un trou de fixation spécial. En effet, les accessoires fournis incluent 4 vis spéciales inox; leur forme particulière permet, une fois la paumelle vissée, de modifier la caisse de la menuiserie et d'augmenter considérablement la charge maximale de la paumelle, qui est de 80 Kg par paire de paumelle. Paumelle dotée de deux plaques en acier inox zinguées sur les côtés pour permettre une fixation plus résistante. Les résultats obtenus sont le fruit d'essais techniques effectués par CASAL sur tous les types de profils.

MATERIAUX ET PIECES

1 Paumelle en aluminium extrudé male alliage 6060
1 paumelle en aluminium extrudé femelle alliage 6060
1 douille en nylon
2 bouchons en nylon
1 axe zincué d. 8xL52
4 boulons M6x10 inox x pointe

FINITIONS

Anodisées: argent, bronze, couleur électrique, elox noir
Ral: standard, tableau des couleurs
Speciale: or

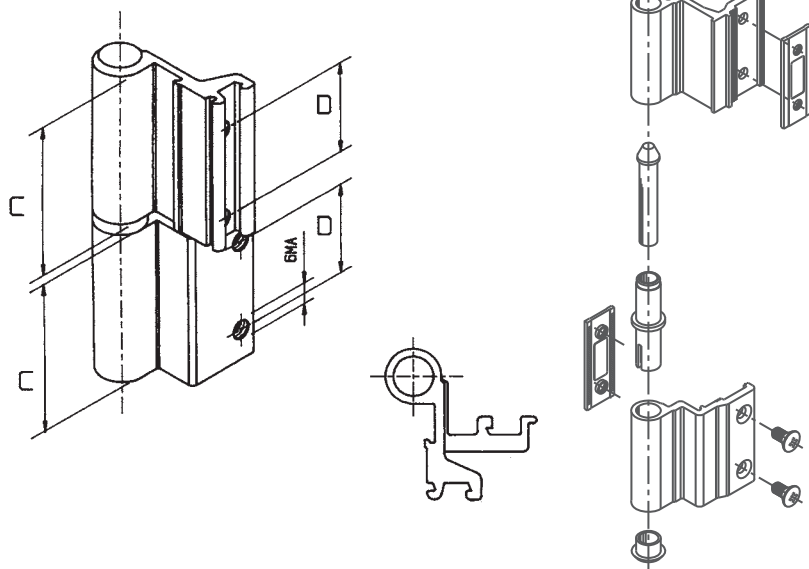
EMBALLAGES

50 pièces par boîte

SUR DEMANDE:

-paumelle peut être demandée avec axe en acier inox
-paumelle peut être demandée tris

Cerniere per Giunto Aperto



160/7

ART.	Descrizione profilati/Description of sections/Type of profilé	Quote/Dimensions/Cotes	
		C	D
160/1	ALL.CO 5 COMPLANARE/ COPLANAR/ COPLANAIRE	50	30
160/2	DOMAL STOPPER - EXPORT 40/50	50	30
160/3	ALFETTA	50	30
160/5	NC INTERNATIONAL	50	30
160/6	ERRE 40/50	50	30
160/7	ALL.CO 1	45	30
160/8	ERRE 4 3^ANTA	50	30
160/9	NC NUOVO SORMONTO	50	30
160/10	EKIP 40 COMPLANARE	50	30
160/11	NC INTERNATIONAL 3^ANTA	50	30
160/12	DOMAL STOPPER 3^ANTA	50	30
160/13	ALL.CO 5 SORMONTO	50	30
160/14	ALL.CO 5 SORMONTO 3^ANTA	50	30
160/15	EURO STOPPER	50	30
160/16	EKIP 40 3^ANTA	50	30
160/17	EKIP 40 SORMONTO	45	30
160/18	DOMAL 40 ARROTONDATO	50	30
163/2	DOMAL STOPPER COLLO LUNGO/ LONG NECK/ COL LONG	50	30
191/1	CERNIERA PER PERSIANA EPOCAL/ HINGE FOR EPOCAL SHUTTER/ PAUMELLE POUR VOLET EPOCAL	50	30
191/2	CERN. PER PERS. EPOCAL COLLO LUNGO/ LONG NECK HINGE FOR EPOCAL SHUTTER/ PAUMELLE POUR VOLET EPOCAL COL LONG	50	30
194	P 4 SORMONTO	50	30
195	P 4 SORMONTO 3^ANTA	50	30
199/W3	ALL.CO WOOD 3^ANTA	45	30
160/20	REAL	50	30
160/2/3	DOMAL STOPPER 3 ALI/WINGS/ LAMES	50	30
160/15/3	EURO STOP 3 ALI/WINGS/ LAMES	50	30
160/6/3	R4 CON GRANI/ WITH DOWELS/ AVEC BOULONS 3 ALI/ WINGS/ LAMES	50	30
160/5/3	NC INTERNATIONAL 3 ALI/ WINGS/ LAMES	50	30
160/12/3	DOMAL STOP 3^ANTA 3 ALI/ WINGS/ LAMES	50	30
160/13/3	ALL.CO 5 SORM 3 ALI/ WINGS/ LAMES	50	30



CARATTERISTICHE CERNIERE A GIUNTO APERTO
Cerniera di tipo reversibile studiata e realizzata con una particolare forma di fissaggio. Nel materiale in dotazione, infatti, ci sono 4 viti inox, la cui particolare forma consente, una volta avvitata la cerniera, di creare delle interferenze sulla cassa del serramento, aumentando in modo notevole le capacità di portata della cerniera, che è di 80 Kg per coppia cerniera. Le piastrine in acciaio inox in dotazione, inoltre, sono zigrinate sui lati per consentire maggiore tenuta nel fissaggio. I risultati ottenuti sono frutto delle prove tecniche fatte dalla CASAL su ogni tipo di profilo.

MATERIALI E COMPONENTI

1 pz. Cerniera in alluminio estruso maschio lega 6060
1 pz. Cerniera in alluminio estruso femmina lega 6060
1 boccola Ø 8 all.co 1
1 perno Ø 6x50
2 piastrine 19,5 L=45 all.
4 viti M5 inox 304

FINITURE

Anodizzato: argento, bronzo, elettrocolore, elox nero.
Verniciato: Ral standard vedi tabella colori
Speciali: Oro

CONFEZIONI

50 pz per confezione



CHARACTERISTICS OPEN JOINT HINGE
Reversible type hinges designed and made with a particular fixing system. In fact, in the materials provided there are 4 special stainless steel screws; the particular shape of these screws, once the hinge is screwed on, create interferences on the door frame, considerably increasing hinge bearing capacity, which is of 80 Kg per hinge pair. In addition, the fixing plates in stainless steel furnished with, are knurling on sides to permit more fixing tightness. The results achieved are the fruit of technical tests that CASAL has conducted on all types of sections.

MATERIALS AND COMPONENTS

1 pc extruded aluminium male hinge alloy 6060
1 pc extruded aluminium female hinge alloy 6060
1 bush Ø 8 All.co 1
1 pin Ø 6x50
2 plates 19.5 L=45 aluminium
4 M5 stainless steel 304 screws

FINISHES

Anodized: silver, bronze, electro colour, black elox
Ral: standard, colour chart
Specials: gold

PACKS

50 pcs in each pack



CARACTERISTIQUES PAUMELLE A JOINT OUVERT
Paumelle de type réversible, étudiée et réalisée avec un trou de fixation spécial. En effet, les accessoires fournis incluent 4 vis spéciales inox; leur forme particulière permet, une fois la paumelle vissée, de modifier la caisse de la menuiserie et d'augmenter considérablement la charge maximale de la paumelle, qui est de 80 Kg par paire de paumelle. Paumelle dotée de deux plaques en acier inox zinguées sur les côtés pour permettre une fixation plus résistante. Les résultats obtenus sont le fruit d'essais techniques effectués par CASAL sur tous les types de profils.

MATERIAUX ET PIECES

1 Paumelle en aluminium extrudé male alliage 6060
1 paumelle en aluminium extrudé femelle alliage 6060
1 douille Ø 8 all.co 1
1 axe Ø 6x50
2 plaques 19,5 L=45 all.
4 vis M5 inox 304

FINITIONS

Anodisées: argent, bronze, couleur électrique, elox noir
Ral: standard, tableau des couleurs
Speciale: or

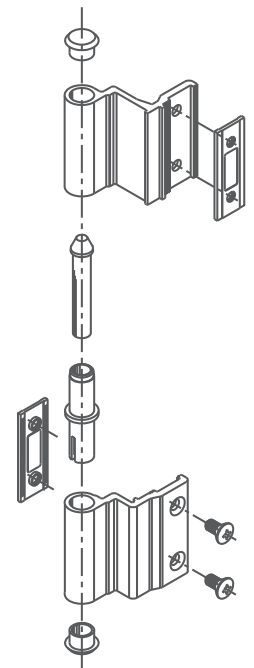
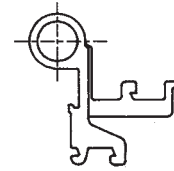
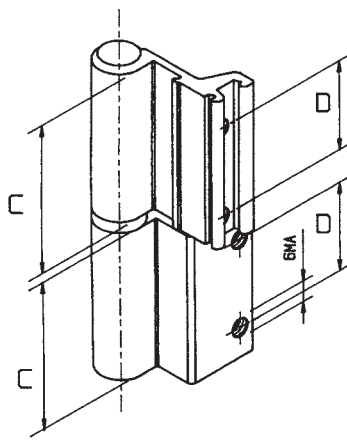
EMBALLAGES

50 pièces par boîte

Cerniere per Giunto Aperto



160/8



ART.	Descrizione profilati/Description of sections/Type of profilé	Quote/Dimensions/Cotes	
		C	D
160/1	ALL.CO 5 COMPLANARE/ COPLANAR / COPLANAIRE	50	30
160/2	DOMAL STOPPER - EXPORT 40/50	50	30
160/3	ALFETTA	50	30
160/5	NC INTERNATIONAL	50	30
160/6	ERRE 40/50	50	30
160/7	ALL.CO 1	45	30
160/8	ERRE 4 3^ANTA	50	30
160/9	NC NUOVO SORMONTO	50	30
160/10	EKIP 40 COMPLANARE	50	30
160/11	NC INTERNATIONAL 3^ANTA	50	30
160/12	DOMAL STOPPER 3^ANTA	50	30
160/13	ALL.CO 5 SORMONTO	50	30
160/14	ALL.CO 5 SORMONTO 3^ANTA	50	30
160/15	EURO STOPPER	50	30
160/16	EKIP 40 3^ANTA	50	30
160/17	EKIP 40 SORMONTO	45	30
160/18	DOMAL 40 ARROTONDATO	50	30
163/2	DOMAL STOPPER COLLO LUNGO/ LONG NECK/ COL LONG	50	30
191/1	CERNIERA PER PERSIANA EPOCAL/ HINGE FOR EPOCAL SHUTTER/ PAUMELLE POUR VOLET EPOCAL	50	30
191/2	CERN. PER PERS. EPOCAL COLLO LUNGO/ LONG NECK HINGE FOR EPOCAL SHUTTER/ PAUMELLE POUR VOLET EPOCAL COL LONG	50	30
194	P 4 SORMONTO	50	30
195	P 4 SORMONTO 3^ANTA	50	30
199/W3	ALL.CO WOOD 3^ANTA	45	30
160/20	REAL	50	30
160/2/3	DOMAL STOPPER 3 ALI/WINGS/ LAMES	50	30
160/15/3	EURO STOP 3 ALI/WINGS/ LAMES	50	30
160/6/3	R4 CON GRANI/ WITH DOWELS/ AVEC BOULONS 3 ALI/ WINGS/ LAMES	50	30
160/5/3	NC INTERNATIONAL 3 ALI/ WINGS/ LAMES	50	30
160/12/3	DOMAL STOP 3^ANTA 3 ALI/ WINGS/ LAMES	50	30
160/13/3	ALL.CO 5 SORM 3 ALI/ WINGS/ LAMES	50	30

 **CARATTERISTICHE CERNIERE A GIUNTO APERTO**
Cerniera di tipo reversibile studiata e realizzata con una particolare forma di fissaggio. Nel materiale in dotazione, infatti, ci sono 4 viti inox, la cui particolare forma consente, una volta avvitata la cerniera, di creare delle interferenze sulla cassa del serramento, aumentando in modo notevole le capacità di portata della cerniera, che è di 80 Kg per coppia cerniera. Le piastrine in acciaio inox in dotazione, inoltre, sono zigrinate sui lati per consentire maggiore tenuta nel fissaggio. I risultati ottenuti sono frutto delle prove tecniche fatte dalla CASAL su ogni tipo di profilo.

MATERIALI E COMPONENTI

1 pz. Cerniera in alluminio estruso maschio lega 6060
1 pz. Cerniera in alluminio estruso femmina lega 6060
1 boccia in nylon
2 tappi in nylon
1 perno zincato d. 8xL52
4 grani M6x10 inox a coppa

FINITURE


Anodizzato: argento, bronzo, elettrocolore, elox nero.
Verniciato: Ral standard vedi tabella colori
Speciali: Oro

CONFEZIONI

50 pz per confezione

VARIANTI

-A richiesta è possibile avere il perno in inox
-Le cerniere possono essere richieste 3 ali.

 **CHARACTERISTICS OPEN JOINT HINGE**
Reversible type hinges designed and made with a particular fixing system. In fact, in the materials provided there are 4 special stainless steel screws; the particular shape of these screws, once the hinge is screwed on, create interferences on the door frame, considerably increasing hinge bearing capacity, which is of 80 Kg per hinge pair. In addition, the fixing plates in stainless steel furnished with, are knurling on sides to permit more fixing tightness. The results achieved are the fruit of technical tests that CASAL has conducted on all types of sections.

MATERIALS AND COMPONENTS

1 pc extruded aluminium male hinge alloy 6060
1 pc extruded aluminium female hinge alloy 6060
1 nylon bush
2 nylon caps
1 galvanized pin d. 8xL52
4 M6x10 stainless steel dowels

FINISHES


Anodized: silver, bronze, electro colour, black elox
Ral: standard, colour chart
Specials: gold

PACKS

50 pcs in each pack

OPTIONAL: On request

-the hinges can be supplied with pin in stainless steel
-Also available with three wings version

 **CARACTERISTIQUES PAUMELLE A JOINT OUVERT**
Paumelle de type réversible, étudiée et réalisée avec un trou de fixation spécial. En effet, les accessoires fournis incluent 4 vis spéciales inox; leur forme particulière permet, une fois la paumelle vissée, de modifier la caisse de la menuiserie et d'augmenter considérablement la charge maximale de la paumelle, qui est de 80 Kg par paire de paumelle. Paumelle dotée de deux plaques en acier inox zinguées sur les côtés pour permettre une fixation plus résistante. Les résultats obtenus sont le fruit d'essais techniques effectués par CASAL sur tous les types de profils.

MATERIAUX ET PIECES

1 Paumelle en aluminium extrudé male alliage 6060
1 paumelle en aluminium extrudé femelle alliage 6060
1 douille en nylon
2 bouchons en nylon
1 axe zincué d. 8xL52
4 boulons M6x10 inox à pointe

FINITIONS

Anodisées: argent, bronze, couleur électrique, elox noir
Ral: standard, tableau des couleurs
Speciale: or

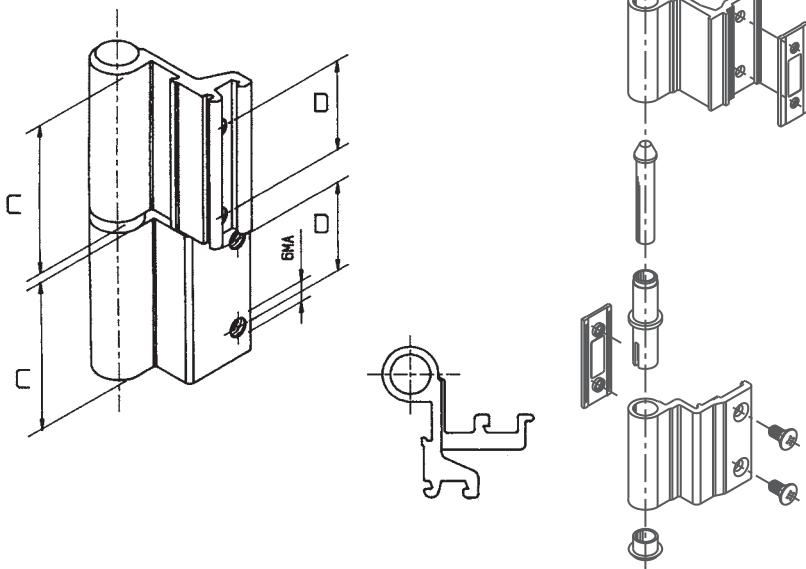
EMBALLAGES

50 pièces par boîte

SUR DEMANDE:

-paumelle peut être demandée avec axe en acier inox
-paumelle peut être demandée tris

Cerniere per Giunto Aperto



160/9

ART.	Descrizione profilati/Description of sections/Type of profilé	Quote/Dimensions/Cotes	
		C	D
160/1	ALL.CO 5 COMPLANARE/ COPLANAR/ COPLANAIRE	50	30
160/2	DOMAL STOPPER - EXPORT 40/50	50	30
160/3	ALFETTA	50	30
160/5	NC INTERNATIONAL	50	30
160/6	ERRE 40/50	50	30
160/7	ALL.CO 1	45	30
160/8	ERRE 4 3^ANTA	50	30
160/9	NC NUOVO SORMONTO	50	30
160/10	EKIP 40 COMPLANARE	50	30
160/11	NC INTERNATIONAL 3^ANTA	50	30
160/12	DOMAL STOPPER 3^ANTA	50	30
160/13	ALL.CO 5 SORMONTO	50	30
160/14	ALL.CO 5 SORMONTO 3^ANTA	50	30
160/15	EURO STOPPER	50	30
160/16	EKIP 40 3^ANTA	50	30
160/17	EKIP 40 SORMONTO	45	30
160/18	DOMAL 40 ARROTONDATO	50	30
163/2	DOMAL STOPPER COLLO LUNGO/ LONG NECK/ COL LONG	50	30
191/1	CERNIERA PER PERSIANA EPOCAL/ HINGE FOR EPOCAL SHUTTER/ PAUMELLE POUR VOLET EPOCAL	50	30
191/2	CERN. PER PERS. EPOCAL COLLO LUNGO/ LONG NECK HINGE FOR EPOCAL SHUTTER / PAUMELLE POUR VOLET EPOCAL COL LONG	50	30
194	P 4 SORMONTO	50	30
195	P 4 SORMONTO 3^ANTA	50	30
199/W3	ALL.CO WOOD 3^ANTA	45	30
160/20	REAL	50	30
160/2/3	DOMAL STOPPER 3 ALI/WINGS/ LAMES	50	30
160/15/3	EURO STOP 3 ALI/WINGS/ LAMES	50	30
160/6/3	R4 CON GRANI/ WITH DOWELS/ AVEC BOULONS 3 ALI/ WINGS/ LAMES	50	30
160/5/3	NC INTERNATIONAL 3 ALI/ WINGS/ LAMES	50	30
160/12/3	DOMAL STOP 3^ANTA 3 ALI/ WINGS/ LAMES	50	30
160/13/3	ALL.CO 5 SORM 3 ALI/ WINGS/ LAMES	50	30



CARATTERISTICHE CERNIERE A GIUNTO APERTO
Cerniera di tipo reversibile studiata e realizzata con una particolare forma di fissaggio. Nel materiale in dotazione, infatti, ci sono 4 viti inox, la cui particolare forma consente, una volta avvitata la cerniera, di creare delle interferenze sulla cassa del serramento, aumentando in modo notevole le capacità di portata della cerniera, che è di 80 Kg per coppia cerniera. Le piastrine in acciaio inox in dotazione, inoltre, sono zigrinate sui lati per consentire maggiore tenuta nel fissaggio. I risultati ottenuti sono frutto delle prove tecniche fatte dalla CASAL su ogni tipo di profilo.

MATERIALI E COMPONENTI

1 pz. Cerniera in alluminio estruso maschio lega 6060
1 pz. Cerniera in alluminio estruso femmina lega 6060
1 boccia in nylon
2 tappi in nylon
1 perno zincato d. 8xL52
2 piastrine di fissaggio inox aisi 430
4 viti inox da M5

FINITURE

Anodizzato: argento, bronzo, elettrocolore, elox nero.
Verniciato: Ral standard vedi tabella colori
Speciali: Oro

CONFEZIONI

50 pz per confezione

VARIANTI

-A richiesta è possibile avere il perno inox
-Le cerniere possono essere richieste 3 ali.



CHARACTERISTICS OPEN JOINT HINGE
Reversible type hinges designed and made with a particular fixing system. In fact, in the materials provided there are 4 special stainless steel screws; the particular shape of these screws, once the hinge is screwed on, create interferences on the door frame, considerably increasing hinge bearing capacity, which is of 80 Kg per hinge pair. In addition, the fixing plates in stainless steel furnished with, are knurling on sides to permit more fixing tightness. The results achieved are the fruit of technical tests that CASAL has conducted on all types of sections.

MATERIALS AND COMPONENTS

1 pc extruded aluminium male hinge alloy 6060
1 pc extruded aluminium female hinge alloy 6060
1 nylon bush
2 nylon caps
1 galvanized pin d. 8xL52
2 fixing plates inox aisi 430
4 M5 screws inox aisi 304

FINISHES

Anodized: silver, bronze, electro colour, black elox
Ral: standard, colour chart
Specials: gold

PACKS

50 pcs in each pack

OPTIONAL: On request

-the hinges can be supplied with pin in stainless steel
-Also available with three wings version



CARACTERISTIQUES PAUMELLE A JOINT OUVERT
Paumelle de type réversible, étudiée et réalisée avec un trou de fixation spécial. En effet, les accessoires fournis incluent 4 vis spéciales inox; leur forme particulière permet, une fois la paumelle vissée, de modifier la caisse de la menuiserie et d'augmenter considérablement la charge maximale de la paumelle, qui est de 80 Kg par paire de paumelle. Paumelle dotée de deux plaques en acier inox zinguées sur les côtés pour permettre une fixation plus résistante. Les résultats obtenus sont le fruit d'essais techniques effectués par CASAL sur tous les types de profils.

MATERIAUX ET PIECES

1 Paumelle en aluminium extrudé male alliage 6060
1 paumelle en aluminium extrudé femelle alliage 6060
1 douille en nylon
2 bouchons en nylon
1 axe zingué d. 8xL52
2 plaques de fixation inox aisi 430
4 vis M5 inox aisi 304

FINITIONS

Anodisées: argent, bronze, couleur électrique, elox noir
Ral: standard, tableau des couleurs
Speciale: or

EMBALLAGES

50 pièces par boîte

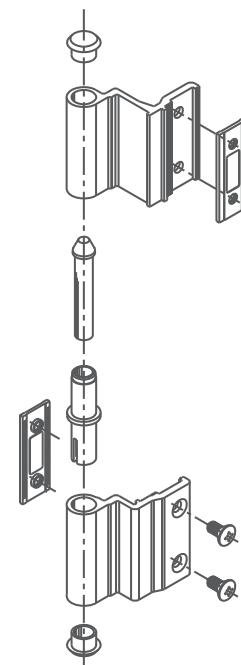
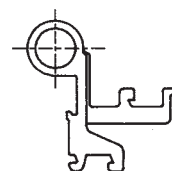
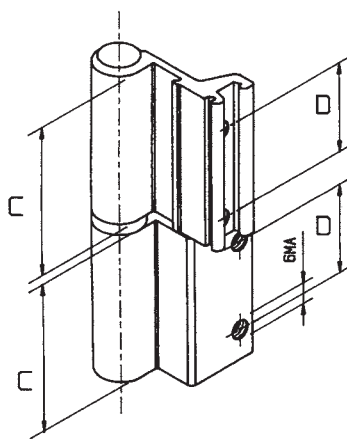
SUR DEMANDE:

-paumelle peut être demandée avec axe en acier inox
-paumelle peut être demandée tris

Cerniere per Giunto Aperto



160/10



ART.	Descrizione profilati/Description of sections/Type of profilé	Quote/Dimensions/Cotes	
		C	D
160/1	ALL.CO 5 COMPLANARE/ COPLANAR / COPLANAIRE	50	30
160/2	DOMAL STOPPER - EXPORT 40/50	50	30
160/3	ALFETTA	50	30
160/5	NC INTERNATIONAL	50	30
160/6	ERRE 40/50	50	30
160/7	ALL.CO 1	45	30
160/8	ERRE 4 3^ANTA	50	30
160/9	NC NUOVO SORMONTO	50	30
160/10	EKIP 40 COMPLANARE	50	30
160/11	NC INTERNATIONAL 3^ANTA	50	30
160/12	DOMAL STOPPER 3^ANTA	50	30
160/13	ALL.CO 5 SORMONTO	50	30
160/14	ALL.CO 5 SORMONTO 3^ANTA	50	30
160/15	EURO STOPPER	50	30
160/16	EKIP 40 3^ANTA	50	30
160/17	EKIP 40 SORMONTO	45	30
160/18	DOMAL 40 ARROTONDATO	50	30
163/2	DOMAL STOPPER COLLO LUNGO/ LONG NECK/ COL LONG	50	30
191/1	CERNIERA PER PERSIANA EPOCAL/ HINGE FOR EPOCAL SHUTTER/ PAUMELLE POUR VOLET EPOCAL	50	30
191/2	CERN. PER PERS. EPOCAL COLLO LUNGO/ LONG NECK HINGE FOR EPOCAL SHUTTER/ PAUMELLE POUR VOLET EPOCAL COL LONG	50	30
194	P 4 SORMONTO	50	30
195	P 4 SORMONTO 3^ANTA	50	30
199/W3	ALL.CO WOOD 3^ANTA	45	30
160/20	REAL	50	30
160/2/3	DOMAL STOPPER 3 ALI/WINGS/ LAMES	50	30
160/15/3	EURO STOP 3 ALI/WINGS/ LAMES	50	30
160/6/3	R4 CON GRANI/ WITH DOWELS/ AVEC BOULONS 3 ALI/ WINGS/ LAMES	50	30
160/5/3	NC INTERNATIONAL 3 ALI/ WINGS/ LAMES	50	30
160/12/3	DOMAL STOP 3^ANTA 3 ALI/ WINGS/ LAMES	50	30
160/13/3	ALL.CO 5 SORM 3 ALI/ WINGS/ LAMES	50	30



CARATTERISTICHE CERNIERE A GIUNTO APERTO

Cerniera di tipo reversibile studiata e realizzata con una particolare forma di fissaggio. Nel materiale in dotazione, infatti, ci sono 4 viti inox, la cui particolare forma consente, una volta avvitata la cerniera, di creare delle interferenze sulla cassa del serramento, aumentando in modo notevole le capacità di portata della cerniera, che è di 80 Kg per coppia cerniera. Le piastrine in acciaio inox in dotazione, inoltre, sono zigrinate sui lati per consentire maggiore tenuta nel fissaggio. I risultati ottenuti sono frutto delle prove tecniche fatte dalla CASAL su ogni tipo di profilo.

MATERIALI E COMPONENTI

1 pz. Cerniera in alluminio estruso maschio lega 6060
1 pz. Cerniera in alluminio estruso femmina lega 6060
1 boccia in nylon
2 tappi in nylon
1 perno zincato d. 8xL52
2 piastrine di fissaggio inox aisi 430
4 viti inox da M5

FINITURE

Anodizzato: argento, bronzo, elettrocolore, elox nero.
Verniciato: Ral standard vedi tabella colori
Speciali: Oro

CONFEZIONI

50 pz per confezione

VARIANTI

-A richiesta è possibile avere il perno in oxid
-Le cerniere possono essere richieste 3 ali.



CHARACTERISTICS OPEN JOINT HINGE

Reversible type hinges designed and made with a particular fixing system. In fact, in the materials provided there are 4 special stainless steel screws; the particular shape of these screws, once the hinge is screwed on, create interferences on the door frame, considerably increasing hinge bearing capacity, which is of 80 Kg per hinge pair. In addition, the fixing plates in stainless steel furnished with, are knurling on sides to permit more fixing tightness. The results achieved are the fruit of technical tests that CASAL has conducted on all types of sections.

MATERIALS AND COMPONENTS

1 pc extruded aluminium male hinge alloy 6060
1 pc extruded aluminium female hinge alloy 6060
1 nylon bush
2 nylon caps
1 galvanized pin d. 8xL52
2 fixing plates inox aisi 430
4 M5 screws inox aisi 304

FINISHES

Anodized: silver, bronze, electro colour, black elox
Ral: standard, colour chart
Special: gold

PACKS

50 pcs in each pack

OPTIONAL: On request

-the hinges can be supplied with pin in stainless steel
-Also available with three wings version



CARACTERISTIQUES PAUMELLE A JOINT OUVERT

Paumelle de type réversible, étudiée et réalisée avec un trou de fixation spécial. En effet, les accessoires fournis incluent 4 vis spéciales inox; leur forme particulière permet, une fois la paumelle vissée, de modifier la caisse de la menuiserie et d'augmenter considérablement la charge maximale de la paumelle, qui est de 80 Kg par paire de paumelle. Paumelle dotée de deux plaques en acier inox zinguées sur les côtés pour permettre une fixation plus résistante. Les résultats obtenus sont le fruit d'essais techniques effectués par CASAL sur tous les types de profils.

MATERIAUX ET PIECES

1 Paumelle en aluminium extrudé male alliage 6060
1 paumelle en aluminium extrudé femelle alliage 6060
1 douille en nylon
2 bouchons en nylon
1 axe zincué d. 8xL52
2 plaques de fixation inox aisi 430
4 vis M5 inox aisi 304

FINITIONS

Anodisées: argent, bronze, couleur électrique, elox noir
Ral: standard, tableau des couleurs
Speciale: or

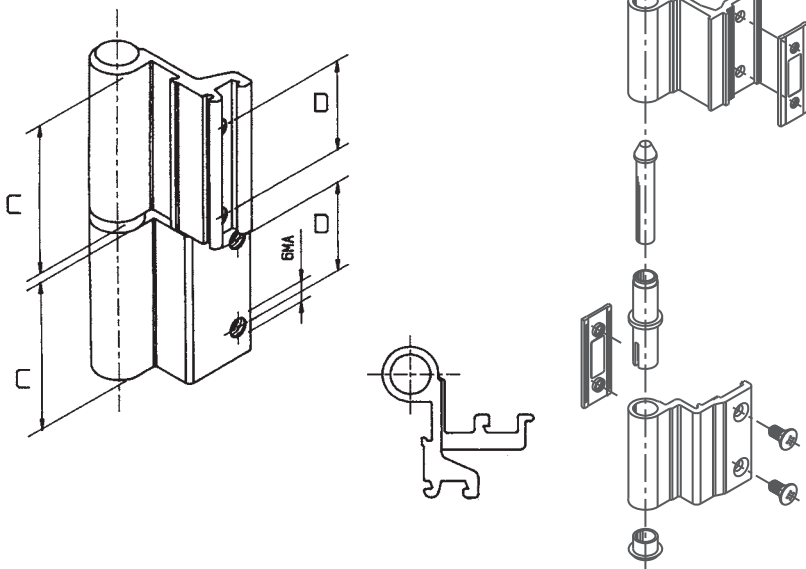
EMBALLAGES

50 pièces par boîte

SUR DEMANDE:

-paumelle peut être demandée avec axe en acier inox
-paumelle peut être demandée tris

Cerniere per Giunto Aperto



160/11

ART.	Descrizione profilati/Description of sections/Type of profilé	Quote/Dimensions/Cotes	
		C	D
160/1	ALL.CO 5 COMPLANARE/ COPLANAR/ COPLANAIRE	50	30
160/2	DOMAL STOPPER - EXPORT 40/50	50	30
160/3	ALFETTA	50	30
160/5	NC INTERNATIONAL	50	30
160/6	ERRE 40/50	50	30
160/7	ALL.CO 1	45	30
160/8	ERRE 4 3^ANTA	50	30
160/9	NC NUOVO SORMONTO	50	30
160/10	EKIP 40 COMPLANARE	50	30
160/11	NC INTERNATIONAL 3^ANTA	50	30
160/12	DOMAL STOPPER 3^ANTA	50	30
160/13	ALL.CO 5 SORMONTO	50	30
160/14	ALL.CO 5 SORMONTO 3^ANTA	50	30
160/15	EURO STOPPER	50	30
160/16	EKIP 40 3^ANTA	50	30
160/17	EKIP 40 SORMONTO	45	30
160/18	DOMAL 40 ARROTONDATO	50	30
163/2	DOMAL STOPPER COLLO LUNGO/ LONG NECK/ COL LONG	50	30
191/1	CERNIERA PER PERSIANA EPOCAL/ HINGE FOR EPOCAL SHUTTER/ PAUMELLE POUR VOLET EPOCAL	50	30
191/2	CERN. PER PERS. EPOCAL COLLO LUNGO/ LONG NECK HINGE FOR EPOCAL SHUTTER / PAUMELLE POUR VOLET EPOCAL COL LONG	50	30
194	P 4 SORMONTO	50	30
195	P 4 SORMONTO 3^ANTA	50	30
199/W3	ALL.CO WOOD 3^ANTA	45	30
160/20	REAL	50	30
160/2/3	DOMAL STOPPER 3 ALI/WINGS/ LAMES	50	30
160/15/3	EURO STOP 3 ALI/WINGS/ LAMES	50	30
160/6/3	R4 CON GRANI/ WITH DOWELS/ AVEC BOULONS 3 ALI/ WINGS/ LAMES	50	30
160/5/3	NC INTERNATIONAL 3 ALI/ WINGS/ LAMES	50	30
160/12/3	DOMAL STOP 3^ANTA 3 ALI/ WINGS/ LAMES	50	30
160/13/3	ALL.CO 5 SORM 3 ALI/ WINGS/ LAMES	50	30



CARATTERISTICHE CERNIERE A GIUNTO APERTO
Cerniera di tipo reversibile studiata e realizzata con una particolare forma di fissaggio. Nel materiale in dotazione, infatti, ci sono 4 viti inox, la cui particolare forma consente, una volta avvitata la cerniera, di creare delle interferenze sulla cassa del serramento, aumentando in modo notevole le capacità di portata della cerniera, che è di 80 Kg per coppia cerniera. Le piastrine in acciaio inox in dotazione, inoltre, sono zigrinate sui lati per consentire maggiore tenuta nel fissaggio. I risultati ottenuti sono frutto delle prove tecniche fatte dalla CASAL su ogni tipo di profilo.

MATERIALI E COMPONENTI

1 pz. Cerniera in alluminio estruso maschio lega 6060
1 pz. Cerniera in alluminio estruso femmina lega 6060
1 boccia in nylon
2 tappi in nylon
1 perno zincato d. 8xL52
2 piastrine di fissaggio inox aisi 430
4 viti inox da M5

FINITURE

Anodizzato: argento, bronzo, elettrocolore, elox nero.
Verniciato: Ral standard vedi tabella colori
Speciali: Oro

CONFEZIONI

50 pz per confezione

VARIANTI

-A richiesta è possibile avere il perno inox
-Le cerniere possono essere richieste 3 ali.



CHARACTERISTICS OPEN JOINT HINGE
Reversible type hinges designed and made with a particular fixing system. In fact, in the materials provided there are 4 special stainless steel screws; the particular shape of these screws, once the hinge is screwed on, create interferences on the door frame, considerably increasing hinge bearing capacity, which is of 80 Kg per hinge pair. In addition, the fixing plates in stainless steel furnished with, are knurling on sides to permit more fixing tightness. The results achieved are the fruit of technical tests that CASAL has conducted on all types of sections.

MATERIALS AND COMPONENTS

1 pc extruded aluminium male hinge alloy 6060
1 pc extruded aluminium female hinge alloy 6060
1 nylon bush
2 nylon caps
1 galvanized pin d. 8xL52
2 fixing plates inox aisi 430
4 M5 screws inox aisi 304

FINISHES

Anodized: silver, bronze, electro colour, black elox
Ral: standard, colour chart
Specials: gold

PACKS

50 pcs in each pack

OPTIONAL: On request

-the hinges can be supplied with pin in stainless steel
-Also available with three wings version



CARACTERISTIQUES PAUMELLE A JOINT OUVERT
Paumelle de type réversible, étudiée et réalisée avec un trou de fixation spécial. En effet, les accessoires fournis incluent 4 vis spéciales inox; leur forme particulière permet, une fois la paumelle vissée, de modifier la caisse de la menuiserie et d'augmenter considérablement la charge maximale de la paumelle, qui est de 80 Kg par paire de paumelle. Paumelle dotée de deux plaques en acier inox zinguées sur les côtés pour permettre une fixation plus résistante. Les résultats obtenus sont le fruit d'essais techniques effectués par CASAL sur tous les types de profils.

MATERIAUX ET PIECES

1 Paumelle en aluminium extrudé male alliage 6060
1 paumelle en aluminium extrudé femelle alliage 6060
1 douille en nylon
2 bouchons en nylon
1 axe zingué d. 8xL52
2 plaques de fixation inox aisi 430
4 vis M5 inox aisi 304

FINITIONS

Anodisées: argent, bronze, couleur électrique, elox noir
Ral: standard, tableau des couleurs
Speciale: or

EMBALLAGES

50 pièces par boîte

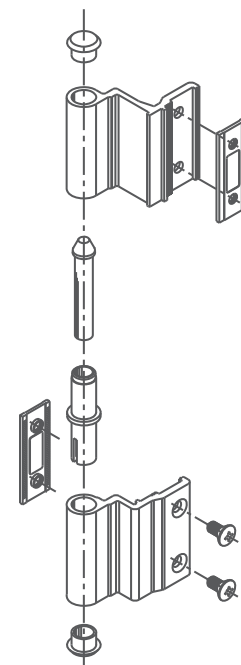
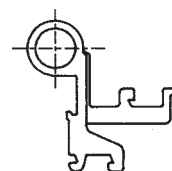
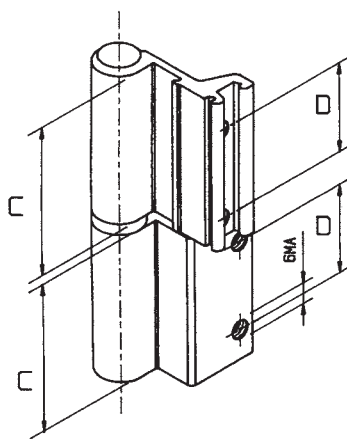
SUR DEMANDE:

-paumelle peut être demandée avec axe en acier inox
-paumelle peut être demandée tris

Cerniere per Giunto Aperto



160/12



ART.	Descrizione profilati/Description of sections/Type of profilé	Quote/Dimensions/Cotes	
		C	D
160/1	ALL.CO 5 COMPLANARE/ COPLANAR / COPLANAIRE	50	30
160/2	DOMAL STOPPER - EXPORT 40/50	50	30
160/3	ALFETTA	50	30
160/5	NC INTERNATIONAL	50	30
160/6	ERRE 40/50	50	30
160/7	ALL.CO 1	45	30
160/8	ERRE 4 3^ANTA	50	30
160/9	NC NUOVO SORMONTO	50	30
160/10	EKIP 40 COMPLANARE	50	30
160/11	NC INTERNATIONAL 3^ANTA	50	30
160/12	DOMAL STOPPER 3^ANTA	50	30
160/13	ALL.CO 5 SORMONTO	50	30
160/14	ALL.CO 5 SORMONTO 3^ANTA	50	30
160/15	EURO STOPPER	50	30
160/16	EKIP 40 3^ANTA	50	30
160/17	EKIP 40 SORMONTO	45	30
160/18	DOMAL 40 ARROTONDATO	50	30
163/2	DOMAL STOPPER COLLO LUNGO/ LONG NECK/ COL LONG	50	30
191/1	CERNIERA PER PERSIANA EPOCAL/ HINGE FOR EPOCAL SHUTTER/ PAUMELLE POUR VOLET EPOCAL	50	30
191/2	CERN. PER PERS. EPOCAL COLLO LUNGO/ LONG NECK HINGE FOR EPOCAL SHUTTER/ PAUMELLE POUR VOLET EPOCAL COL LONG	50	30
194	P 4 SORMONTO	50	30
195	P 4 SORMONTO 3^ANTA	50	30
199/W3	ALL.CO WOOD 3^ANTA	45	30
160/20	REAL	50	30
160/2/3	DOMAL STOPPER 3 ALI/WINGS/ LAMES	50	30
160/15/3	EURO STOP 3 ALI/WINGS/ LAMES	50	30
160/6/3	R4 CON GRANI/ WITH DOWELS/ AVEC BOULONS 3 ALI/ WINGS/ LAMES	50	30
160/5/3	NC INTERNATIONAL 3 ALI/ WINGS/ LAMES	50	30
160/12/3	DOMAL STOP 3^ANTA 3 ALI/ WINGS/ LAMES	50	30
160/13/3	ALL.CO 5 SORM 3 ALI/ WINGS/ LAMES	50	30



CARATTERISTICHE CERNIERE A GIUNTO APERTO

Cerniera di tipo reversibile studiata e realizzata con una particolare forma di fissaggio. Nel materiale in dotazione, infatti, ci sono 4 viti inox, la cui particolare forma consente, una volta avvitata la cerniera, di creare delle interferenze sulla cassa del serramento, aumentando in modo notevole le capacità di portata della cerniera, che è di 80 Kg per coppia cerniera. Le piastrine in acciaio inox in dotazione, inoltre, sono zigrinate sui lati per consentire maggiore tenuta nel fissaggio. I risultati ottenuti sono frutto delle prove tecniche fatte dalla CASAL su ogni tipo di profilo.

MATERIALI E COMPONENTI

1 pz. Cerniera in alluminio estruso maschio lega 6060
1 pz. Cerniera in alluminio estruso femmina lega 6060
1 boccia in nylon
2 tappi in nylon
1 perno zincato d. 8xL52
2 piastrine di fissaggio inox aisi 430
4 viti inox da M5

FINITURE

Anodizzato: argento, bronzo, elettrocolore, elox nero.
Verniciato: Ral standard vedi tabella colori
Speciali: Oro

CONFEZIONI

50 pz per confezione

VARIANTI

-A richiesta è possibile avere il perno in inox
-Le cerniere possono essere richieste 3 ali.



CHARACTERISTICS OPEN JOINT HINGE

Reversible type hinges designed and made with a particular fixing system. In fact, in the materials provided there are 4 special stainless steel screws; the particular shape of these screws, once the hinge is screwed on, create interferences on the door frame, considerably increasing hinge bearing capacity, which is of 80 Kg per hinge pair. In addition, the fixing plates in stainless steel furnished with, are knurling on sides to permit more fixing tightness. The results achieved are the fruit of technical tests that CASAL has conducted on all types of sections.

MATERIALS AND COMPONENTS

1 pc extruded aluminium male hinge alloy 6060
1 pc extruded aluminium female hinge alloy 6060
1 nylon bush
2 nylon caps
1 galvanized pin d. 8xL52
2 fixing plates inox aisi 430
4 M5 screws inox aisi 304

FINISHES

Anodized: silver, bronze, electro colour, black elox
Ral: standard, colour chart
Special: gold

PACKS

50 pcs in each pack

OPTIONAL: On request

-the hinges can be supplied with pin in stainless steel
-Also available with three wings version



CARACTERISTIQUES PAUMELLE A JOINT OUVERT

Paumelle de type réversible, étudiée et réalisée avec un trou de fixation spécial. En effet, les accessoires fournis incluent 4 vis spéciales inox; leur forme particulière permet, une fois la paumelle vissée, de modifier la caisse de la menuiserie et d'augmenter considérablement la charge maximale de la paumelle, qui est de 80 Kg par paire de paumelle. Paumelle dotée de deux plaques en acier inox zinguées sur les côtés pour permettre une fixation plus résistante. Les résultats obtenus sont le fruit d'essais techniques effectués par CASAL sur tous les types de profils.

MATERIAUX ET PIECES

1 Paumelle en aluminium extrudé male alliage 6060
1 paumelle en aluminium extrudé femelle alliage 6060
1 douille en nylon
2 bouchons en nylon
1 axe zincué d. 8xL52
2 plaques de fixation inox aisi 430
4 vis M5 inox aisi 304

FINITIONS

Anodisées: argent, bronze, couleur électrique, elox noir
Ral: standard, tableau des couleurs
Speciale: or

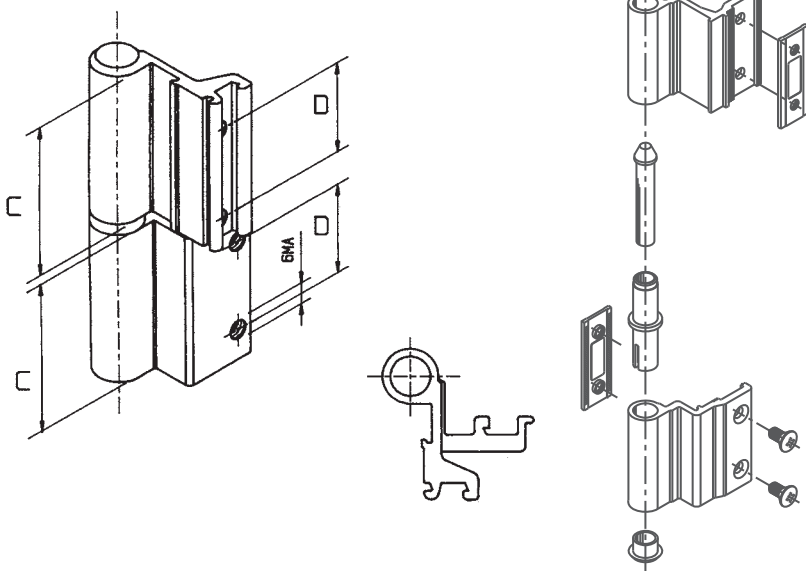
EMBALLAGES

50 pièces par boîte

SUR DEMANDE:

-paumelle peut être demandée avec axe en acier inox
-paumelle peut être demandée tris

Cerniere per Giunto Aperto



160/13

ART.	Descrizione profilati/Description of sections/Type of profilé	Quote/Dimensions/Cotes	
		C	D
160/1	ALL.CO 5 COMPLANARE/ COPLANAR/ COPLANAIRE	50	30
160/2	DOMAL STOPPER - EXPORT 40/50	50	30
160/3	ALFETTA	50	30
160/5	NC INTERNATIONAL	50	30
160/6	ERRE 40/50	50	30
160/7	ALL.CO 1	45	30
160/8	ERRE 4 3^ANTA	50	30
160/9	NC NUOVO SORMONTO	50	30
160/10	EKIP 40 COMPLANARE	50	30
160/11	NC INTERNATIONAL 3^ANTA	50	30
160/12	DOMAL STOPPER 3^ANTA	50	30
160/13	ALL.CO 5 SORMONTO	50	30
160/14	ALL.CO 5 SORMONTO 3^ANTA	50	30
160/15	EURO STOPPER	50	30
160/16	EKIP 40 3^ANTA	50	30
160/17	EKIP 40 SORMONTO	45	30
160/18	DOMAL 40 ARROTONDATO	50	30
163/2	DOMAL STOPPER COLLO LUNGO/ LONG NECK/ COL LONG	50	30
191/1	CERNIERA PER PERSIANA EPOCAL/ HINGE FOR EPOCAL SHUTTER/ PAUMELLE POUR VOLET EPOCAL	50	30
191/2	CERN. PER PERS. EPOCAL COLLO LUNGO/ LONG NECK HINGE FOR EPOCAL SHUTTER/ PAUMELLE POUR VOLET EPOCAL COL LONG	50	30
194	P 4 SORMONTO	50	30
195	P 4 SORMONTO 3^ANTA	50	30
199/W3	ALL.CO WOOD 3^ANTA	45	30
160/20	REAL	50	30
160/2/3	DOMAL STOPPER 3 ALI/WINGS/LAMES	50	30
160/15/3	EURO STOP 3 ALI/WINGS/LAMES	50	30
160/6/3	R4 CON GRANI/ WITH DOWELS/ AVEC BOULONS 3 ALI/ WINGS/LAMES	50	30
160/5/3	NC INTERNATIONAL 3 ALI/ WINGS/LAMES	50	30
160/12/3	DOMAL STOP 3^ANTA 3 ALI/ WINGS/LAMES	50	30
160/13/3	ALL.CO 5 SORM 3 ALI/ WINGS/LAMES	50	30



CARATTERISTICHE CERNIERE A GIUNTO APERTO
Cerniera di tipo reversibile studiata e realizzata con una particolare forma di fissaggio. Nel materiale in dotazione, infatti, ci sono 4 viti inox, la cui particolare forma consente, una volta avvitata la cerniera, di creare delle interferenze sulla cassa del serramento, aumentando in modo notevole le capacità di portata della cerniera, che è di 80 Kg per coppia cerniera. Le piastrine in acciaio inox in dotazione, inoltre, sono zigrinate sui lati per consentire maggiore tenuta nel fissaggio. I risultati ottenuti sono frutto delle prove tecniche fatte dalla CASAL su ogni tipo di profilo.

MATERIALI E COMPONENTI

1 pz. Cerniera in alluminio estruso maschio lega 6060
1 pz. Cerniera in alluminio estruso femmina lega 6060
1 boccia in nylon
2 tappi in nylon
1 perno zincato d. 8xL52
2 piastrine di fissaggio inox aisi 430
4 viti inox da M5

FINITURE

Anodizzato: argento, bronzo, elettrocolore, elox nero.
Verniciato: Ral standard vedi tabella colori
Speciali: Oro

CONFEZIONI

50 pz per confezione

VARIANTI

-A richiesta è possibile avere il perno inox
-Le cerniere possono essere richieste 3 ali.



CHARACTERISTICS OPEN JOINT HINGE
Reversible type hinges designed and made with a particular fixing system. In fact, in the materials provided there are 4 special stainless steel screws; the particular shape of these screws, once the hinge is screwed on, create interferences on the door frame, considerably increasing hinge bearing capacity, which is of 80 Kg per hinge pair. In addition, the fixing plates in stainless steel furnished with, are knurling on sides to permit more fixing tightness. The results achieved are the fruit of technical tests that CASAL has conducted on all types of sections.

MATERIALS AND COMPONENTS

1 pc extruded aluminium male hinge alloy 6060
1 pc extruded aluminium female hinge alloy 6060
1 nylon bush
2 nylon caps
1 galvanized pin d. 8xL52
2 fixing plates inox aisi 430
4 M5 screws inox aisi 304

FINISHES

Anodized: silver, bronze, electro colour, black elox
Ral: standard, colour chart
Specials: gold

PACKS

50 pcs in each pack

OPTIONAL: On request

-the hinges can be supplied with pin in stainless steel
-Also available with three wings version



CARACTERISTIQUES PAUMELLE A JOINT OUVERT
Paumelle de type réversible, étudiée et réalisée avec un trou de fixation spécial. En effet, les accessoires fournis incluent 4 vis spéciales inox; leur forme particulière permet, une fois la paumelle vissée, de modifier la caisse de la menuiserie et d'augmenter considérablement la charge maximale de la paumelle, qui est de 80 Kg par paire de paumelle. Paumelle dotée de deux plaques en acier inox zinguées sur les côtés pour permettre une fixation plus résistante. Les résultats obtenus sont le fruit d'essais techniques effectués par CASAL sur tous les types de profils.

MATERIAUX ET PIECES

1 Paumelle en aluminium extrudé male alliage 6060
1 paumelle en aluminium extrudé femelle alliage 6060
1 douille en nylon
2 bouchons en nylon
1 axe zingué d. 8xL52
2 plaques de fixation inox aisi 430
4 vis M5 inox aisi 304

FINITIONS

Anodisées: argent, bronze, couleur électrique, elox noir
Ral: standard, tableau des couleurs
Speciale: or

EMBALLAGES

50 pièces par boîte

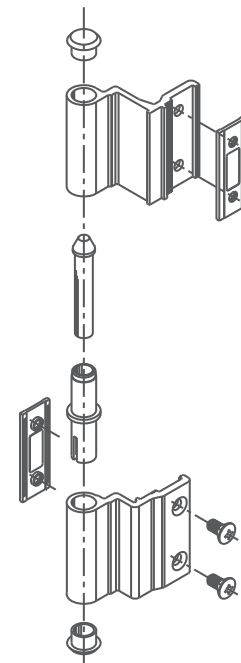
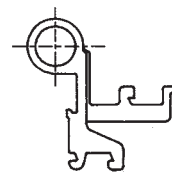
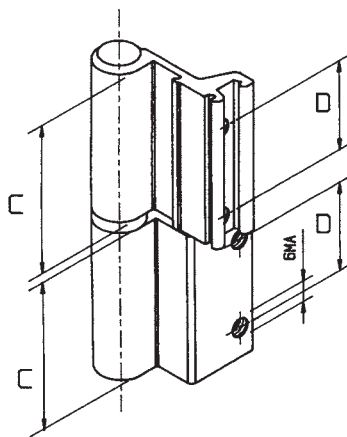
SUR DEMANDE:

-paumelle peut être demandée avec axe en acier inox
-paumelle peut être demandée tris

Cerniere per Giunto Aperto



160/14



ART.	Descrizione profilati/Description of sections/Type of profilé	Quote/Dimensions/Cotes	
		C	D
160/1	ALL.CO 5 COMPLANARE/ COPLANAR / COPLANAIRE	50	30
160/2	DOMAL STOPPER - EXPORT 40/50	50	30
160/3	ALFETTA	50	30
160/5	NC INTERNATIONAL	50	30
160/6	ERRE 40/50	50	30
160/7	ALL.CO 1	45	30
160/8	ERRE 4 3^ANTA	50	30
160/9	NC NUOVO SORMONTO	50	30
160/10	EKIP 40 COMPLANARE	50	30
160/11	NC INTERNATIONAL 3^ANTA	50	30
160/12	DOMAL STOPPER 3^ANTA	50	30
160/13	ALL.CO 5 SORMONTO	50	30
160/14	ALL.CO 5 SORMONTO 3^ANTA	50	30
160/15	EURO STOPPER	50	30
160/16	EKIP 40 3^ANTA	50	30
160/17	EKIP 40 SORMONTO	45	30
160/18	DOMAL 40 ARROTONDATO	50	30
163/2	DOMAL STOPPER COLLO LUNGO/ LONG NECK/ COL LONG	50	30
191/1	CERNIERA PER PERSIANA EPOCAL/ HINGE FOR EPOCAL SHUTTER/ PAUMELLE POUR VOLET EPOCAL	50	30
191/2	CERN. PER PERS. EPOCAL COLLO LUNGO/ LONG NECK HINGE FOR EPOCAL SHUTTER/ PAUMELLE POUR VOLET EPOCAL COL LONG	50	30
194	P 4 SORMONTO	50	30
195	P 4 SORMONTO 3^ANTA	50	30
199/W3	ALL.CO WOOD 3^ANTA	45	30
160/20	REAL	50	30
160/2/3	DOMAL STOPPER 3 ALI/WINGS/ LAMES	50	30
160/15/3	EURO STOP 3 ALI/WINGS/ LAMES	50	30
160/6/3	R4 CON GRANI/ WITH DOWELS/ AVEC BOULONS 3 ALI/ WINGS/ LAMES	50	30
160/5/3	NC INTERNATIONAL 3 ALI/ WINGS/ LAMES	50	30
160/12/3	DOMAL STOP 3^ANTA 3 ALI/ WINGS/ LAMES	50	30
160/13/3	ALL.CO 5 SORM 3 ALI/ WINGS/ LAMES	50	30



CARATTERISTICHE CERNIERE A GIUNTO APERTO

Cerniera di tipo reversibile studiata e realizzata con una particolare forma di fissaggio. Nel materiale in dotazione, infatti, ci sono 4 viti inox, la cui particolare forma consente, una volta avvitata la cerniera, di creare delle interferenze sulla cassa del serramento, aumentando in modo notevole le capacità di portata della cerniera, che è di 80 Kg per coppia cerniera. Le piastrine in acciaio inox in dotazione, inoltre, sono zigrinate sui lati per consentire maggiore tenuta nel fissaggio. I risultati ottenuti sono frutto delle prove tecniche fatte dalla CASAL su ogni tipo di profilo.

MATERIALI E COMPONENTI

1 pz. Cerniera in alluminio estruso maschio lega 6060
1 pz. Cerniera in alluminio estruso femmina lega 6060
1 boccola in nylon
2 tappi in nylon
1 perno zincato d. 8xL52
2 piastrine di fissaggio inox aisi 430
4 viti inox da M5

FINITURE

Anodizzato: argento, bronzo, elettrocolore, elox nero.
Verniciato: Ral standard vedi tabella colori
Speciali: Oro

CONFEZIONI

50 pz per confezione

VARIANTI

-A richiesta è possibile avere il perno in oxid
-Le cerniere possono essere richieste 3 ali.



CHARACTERISTICS OPEN JOINT HINGE

Reversible type hinges designed and made with a particular fixing system. In fact, in the materials provided there are 4 special stainless steel screws; the particular shape of these screws, once the hinge is screwed on, create interferences on the door frame, considerably increasing hinge bearing capacity, which is of 80 Kg per hinge pair. In addition, the fixing plates in stainless steel furnished with, are knurling on sides to permit more fixing tightness. The results achieved are the fruit of technical tests that CASAL has conducted on all types of sections.

MATERIALS AND COMPONENTS

1 pc extruded aluminium male hinge alloy 6060
1 pc extruded aluminium female hinge alloy 6060
1 nylon bush
2 nylon caps
1 galvanized pin d. 8xL52
2 fixing plates inox aisi 430
4 M5 screws inox aisi 304

FINISHES

Anodized: silver, bronze, electro colour, black elox
Ral: standard, colour chart
Special: gold

PACKS

50 pcs in each pack

OPTIONAL: On request

-the hinges can be supplied with pin in stainless steel
-Also available with three wings version



CARACTERISTIQUES PAUMELLE A JOINT OUVERT

Paumelle de type réversible, étudiée et réalisée avec un trou de fixation spécial. En effet, les accessoires fournis incluent 4 vis spéciales inox; leur forme particulière permet, une fois la paumelle vissée, de modifier la caisse de la menuiserie et d'augmenter considérablement la charge maximale de la paumelle, qui est de 80 Kg par paire de paumelle. Paumelle dotée de deux plaques en acier inox zinguées sur les côtés pour permettre une fixation plus résistante. Les résultats obtenus sont le fruit d'essais techniques effectués par CASAL sur tous les types de profils.

MATERIAUX ET PIECES

1 Paumelle en aluminium extrudé male alliage 6060
1 paumelle en aluminium extrudé femelle alliage 6060
1 douille en nylon
2 bouchons en nylon
1 axe zincué d. 8xL52
2 plaques de fixation inox aisi 430
4 vis M5 inox aisi 304

FINITIONS

Anodisées: argent, bronze, couleur électrique, elox noir
Ral: standard, tableau des couleurs
Speciale: or

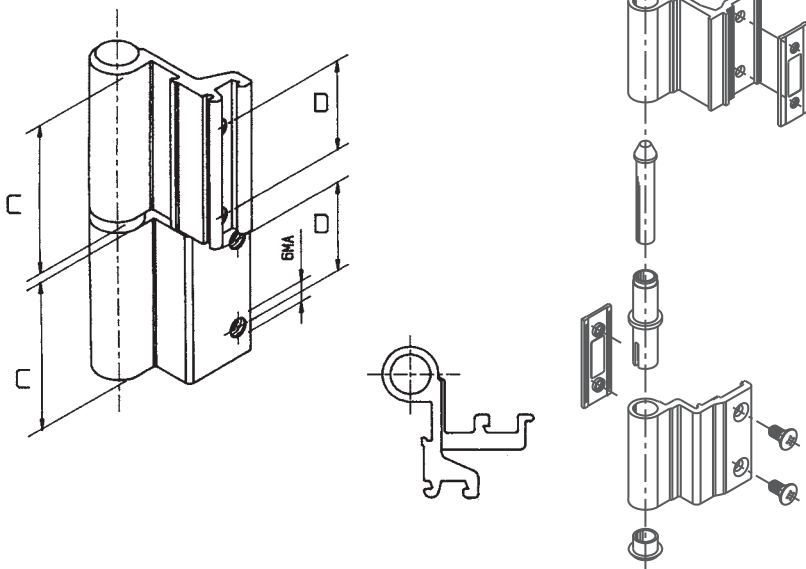
EMBALLAGES

50 pièces par boîte

SUR DEMANDE:

-paumelle peut être demandée avec axe en acier inox
-paumelle peut être demandée tris

Cerniere per Giunto Aperto



160/15

ART.	Descrizione profilati/Description of sections/Type of profilé	Quote/Dimensions/Cotes	
		C	D
160/1	ALL.CO 5 COMPLANARE/ COPLANAR/ COPLANAIRE	50	30
160/2	DOMAL STOPPER - EXPORT 40/50	50	30
160/3	ALFETTA	50	30
160/5	NC INTERNATIONAL	50	30
160/6	ERRE 40/50	50	30
160/7	ALL.CO 1	45	30
160/8	ERRE 4 3^ANTA	50	30
160/9	NC NUOVO SORMONTO	50	30
160/10	EKIP 40 COMPLANARE	50	30
160/11	NC INTERNATIONAL 3^ANTA	50	30
160/12	DOMAL STOPPER 3^ANTA	50	30
160/13	ALL.CO 5 SORMONTO	50	30
160/14	ALL.CO 5 SORMONTO 3^ANTA	50	30
160/15	EURO STOPPER	50	30
160/16	EKIP 40 3^ANTA	50	30
160/17	EKIP 40 SORMONTO	45	30
160/18	DOMAL 40 ARROTONDATO	50	30
163/2	DOMAL STOPPER COLLO LUNGO/ LONG NECK/ COL LONG	50	30
191/1	CERNIERA PER PERSIANA EPOCAL/ HINGE FOR EPOCAL SHUTTER/ PAUMELLE POUR VOLET EPOCAL	50	30
191/2	CERN. PER PERS. EPOCAL COLLO LUNGO/ LONG NECK HINGE FOR EPOCAL SHUTTER/ PAUMELLE POUR VOLET EPOCAL COL LONG	50	30
194	P 4 SORMONTO	50	30
195	P 4 SORMONTO 3^ANTA	50	30
199/W3	ALL.CO WOOD 3^ANTA	45	30
160/20	REAL	50	30
160/2/3	DOMAL STOPPER 3 ALI/WINGS/ LAMES	50	30
160/15/3	EURO STOP 3 ALI/WINGS/ LAMES	50	30
160/6/3	R4 CON GRANI/ WITH DOWELS/ AVEC BOULONS 3 ALI/ WINGS/ LAMES	50	30
160/5/3	NC INTERNATIONAL 3 ALI/ WINGS/ LAMES	50	30
160/12/3	DOMAL STOP 3^ANTA 3 ALI/ WINGS/ LAMES	50	30
160/13/3	ALL.CO 5 SORM 3 ALI/ WINGS/ LAMES	50	30



CARATTERISTICHE CERNIERE A GIUNTO APERTO
Cerniera di tipo reversibile studiata e realizzata con una particolare forma di fissaggio. Nel materiale in dotazione, infatti, ci sono 4 viti inox, la cui particolare forma consente, una volta avvitata la cerniera, di creare delle interferenze sulla cassa del serramento, aumentando in modo notevole le capacità di portata della cerniera, che è di 80 Kg per coppia cerniera. Le piastrine in acciaio inox in dotazione, inoltre, sono zigrinate sui lati per consentire maggiore tenuta nel fissaggio. I risultati ottenuti sono frutto delle prove tecniche fatte dalla CASAL su ogni tipo di profilo.

MATERIALI E COMPONENTI

1 pz. Cerniera in alluminio estruso maschio lega 6060
1 pz. Cerniera in alluminio estruso femmina lega 6060
1 boccia in nylon
2 tappi in nylon
1 perno zincato d. 8xL.52
2 piastrine in alluminio
4 viti inox da M5

FINITURE

Anodizzato: argento, bronzo, elettrocolore, elox nero.
Verniciato: Ral standard vedi tabella colori
Speciali: Oro

CONFEZIONI

50 pz per confezione

VARIANTI

-A richiesta è possibile avere il perno inox
-Le cerniere possono essere richieste 3 ali.



CHARACTERISTICS OPEN JOINT HINGE
Reversible type hinges designed and made with a particular fixing system. In fact, in the materials provided there are 4 special stainless steel screws; the particular shape of these screws, once the hinge is screwed on, create interferences on the door frame, considerably increasing hinge bearing capacity, which is of 80 Kg per hinge pair. In addition, the fixing plates in stainless steel furnished with, are knurling on sides to permit more fixing tightness. The results achieved are the fruit of technical tests that CASAL has conducted on all types of sections.

MATERIALS AND COMPONENTS

1 pc extruded aluminium male hinge alloy 6060
1 pc extruded aluminium female hinge alloy 6060
1 nylon bush
2 nylon caps
1 galvanized pin d. 8xL.52
2 plates aluminium
4 M5 screws inox aisi 304

FINISHES

Anodized: silver, bronze, electro colour, black elox
Ral: standard, colour chart
Specials: gold

PACKS

50 pcs in each pack

OPTIONAL: On request

-the hinges can be supplied with pin in stainless steel
-Also available with three wings version



CARACTERISTIQUES PAUMELLE A JOINT OUVERT
Paumelle de type réversible, étudiée et réalisée avec un trou de fixation spécial. En effet, les accessoires fournis incluent 4 vis spéciales inox; leur forme particulière permet, une fois la paumelle vissée, de modifier la caisse de la menuiserie et d'augmenter considérablement la charge maximale de la paumelle, qui est de 80 Kg par paire de paumelle. Paumelle dotée de deux plaques en acier inox zinguées sur les côtés pour permettre une fixation plus résistante. Les résultats obtenus sont le fruit d'essais techniques effectués par CASAL sur tous les types de profils.

MATERIAUX ET PIECES

1 Paumelle en aluminium extrudé male alliage 6060
1 paumelle en aluminium extrudé femelle alliage 6060
1 douille en nylon
2 bouchons en nylon
1 axe zincué d. 8xL.52
2 plaques all.
4 vis M5 inox aisi 304

FINITIONS

Anodisées: argent, bronze, couleur électrique, elox noir
Ral: standard, tableau des couleurs
Speciale: or

EMBALLAGES

50 pièces par boîte

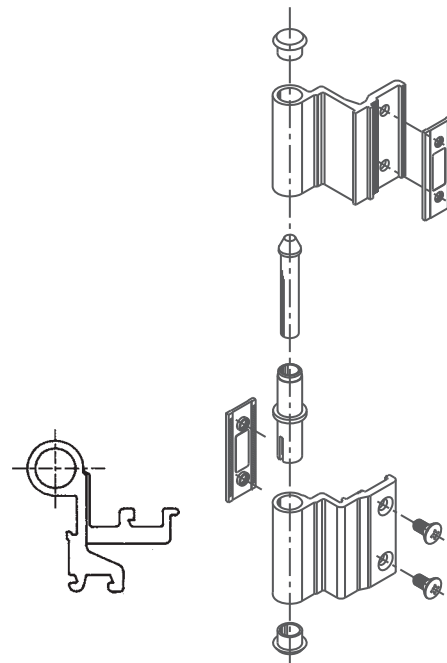
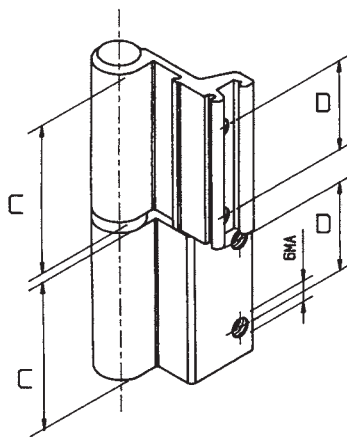
SUR DEMANDE:

-paumelle peut être demandée avec axe en acier inox
-paumelle peut être demandée tris

Cerniere per Giunto Aperto



160/16



ART.	Descrizione profilati/Description of sections/Type of profilé	Quote/Dimensions/Cotes	
		C	D
160/1	ALL.CO 5 COMPLANARE/ COPLANAR / COPLANAIRE	50	30
160/2	DOMAL STOPPER - EXPORT 40/50	50	30
160/3	ALFETTA	50	30
160/5	NC INTERNATIONAL	50	30
160/6	ERRE 40/50	50	30
160/7	ALL.CO 1	45	30
160/8	ERRE 4 3^ANTA	50	30
160/9	NC NUOVO SORMONTO	50	30
160/10	EKIP 40 COMPLANARE	50	30
160/11	NC INTERNATIONAL 3^ANTA	50	30
160/12	DOMAL STOPPER 3^ANTA	50	30
160/13	ALL.CO 5 SORMONTO	50	30
160/14	ALL.CO 5 SORMONTO 3^ANTA	50	30
160/15	EURO STOPPER	50	30
160/16	EKIP 40 3^ANTA	50	30
160/17	EKIP 40 SORMONTO	45	30
160/18	DOMAL 40 ARROTONDATO	50	30
163/2	DOMAL STOPPER COLLO LUNGO/ LONG NECK/ COL LONG	50	30
191/1	CERNIERA PER PERSIANA EPOCAL/ HINGE FOR EPOCAL SHUTTER/ PAUMELLE POUR VOLET EPOCAL	50	30
191/2	CERN. PER PERS. EPOCAL COLLO LUNGO/ LONG NECK HINGE FOR EPOCAL SHUTTER/ PAUMELLE POUR VOLET EPOCAL COL LONG	50	30
194	P 4 SORMONTO	50	30
195	P 4 SORMONTO 3^ANTA	50	30
199/W3	ALL.CO WOOD 3^ANTA	45	30
160/20	REAL	50	30
160/2/3	DOMAL STOPPER 3 ALI/WINGS/ LAMES	50	30
160/15/3	EURO STOP 3 ALI/WINGS/ LAMES	50	30
160/6/3	R4 CON GRANI/ WITH DOWELS/ AVEC BOULONS 3 ALI/ WINGS/ LAMES	50	30
160/5/3	NC INTERNATIONAL 3 ALI/ WINGS/ LAMES	50	30
160/12/3	DOMAL STOP 3^ANTA 3 ALI/ WINGS/ LAMES	50	30
160/13/3	ALL.CO 5 SORM 3 ALI/ WINGS/ LAMES	50	30



CARATTERISTICHE CERNIERE A GIUNTO APERTO

Cerniera di tipo reversibile studiata e realizzata con una particolare forma di fissaggio. Nel materiale in dotazione, infatti, ci sono 4 viti inox, la cui particolare forma consente, una volta avvitata la cerniera, di creare delle interferenze sulla cassa del serramento, aumentando in modo notevole le capacità di portata della cerniera, che è di 80 Kg per coppia cerniera. Le piastrine in acciaio inox in dotazione, inoltre, sono zigrinate sui lati per consentire maggiore tenuta nel fissaggio. I risultati ottenuti sono frutto delle prove tecniche fatte dalla CASAL su ogni tipo di profilo.

MATERIALI E COMPONENTI

2 pz. Cerniera in alluminio estruso femmina lega 6060
1 boccia in nylon
2 tappi in nylon
1 perno zincato d. 8xL52
2 piastrine di fissaggio inox aisi 430
4 viti inox da M5

FINITURE

Anodizzato: argento, bronzo, elettrocolore, elox nero.
Verniciato: Ral standard vedi tabella colori
Speciali: Oro

CONFEZIONI

50 pz per confezione

VARIANTI

-A richiesta è possibile avere il perno in inox
-Le cerniere possono essere richieste 3 ali.



CHARACTERISTICS OPEN JOINT HINGE

Reversible type hinges designed and made with a particular fixing system. In fact, in the materials provided there are 4 special stainless steel screws; the particular shape of these screws, once the hinge is screwed on, create interferences on the door frame, considerably increasing hinge bearing capacity, which is of 80 Kg per hinge pair. In addition, the fixing plates in stainless steel furnished with, are knurling on sides to permit more fixing tightness. The results achieved are the fruit of technical tests that CASAL has conducted on all types of sections.

MATERIALS AND COMPONENTS

2 pc extruded aluminium female hinge alloy 6060
1 nylon bush
2 nylon caps
1 galvanized pin d. 8xL52
2 fixing plates inox aisi 430
4 M5 screws inox aisi 304

FINISHES

Anodized: silver, bronze, electro colour, black elox
Ral: standard, colour chart
Specials: gold

PACKS

50 pcs in each pack

OPTIONAL: On request

-the hinges can be supplied with pin in stainless steel
-Also available with three wings version



CARACTERISTIQUES PAUMELLE A JOINT OUVERT

Paumelle de type réversible, étudiée et réalisée avec un trou de fixation spécial. En effet, les accessoires fournis incluent 4 vis spéciales inox; leur forme particulière permet, une fois la paumelle vissée, de modifier la caisse de la menuiserie et d'augmenter considérablement la charge maximale de la paumelle, qui est de 80 Kg par paire de paumelle. Paumelle dotée de deux plaques en acier inox zinguées sur les côtés pour permettre une fixation plus résistante. Les résultats obtenus sont le fruit d'essais techniques effectués par CASAL sur tous les types de profils.

MATERIAUX ET PIECES

2 paumelle en aluminium extrudé femelle alliage 6060
1 douille en nylon
2 bouchons en nylon
1 axe zincé d. 8xL52
2 plaques de fixation inox aisi 430
4 vis M5 inox aisi 304

FINITIONS

Anodisées: argent, bronze, couleur électrique, elox noir
Ral: standard, tableau des couleurs
Speciale: or

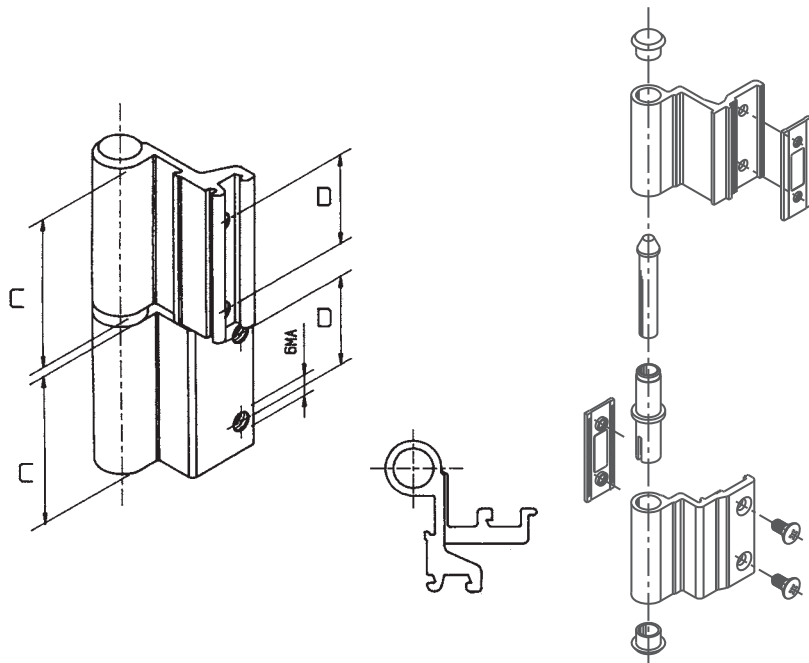
EMBALLAGES

50 pièces par boîte

SUR DEMANDE:

-paumelle peut être demandée avec axe en acier inox
-paumelle peut être demandée tris

Cerniere per Giunto Aperto



160/17

ART.	Descrizione profilati/Description of sections/Type of profilé	Quote/Dimensions/Cotes	
		C	D
160/1	ALL.CO 5 COMPLANARE/ COPLANAR/ COPLANAIRE	50	30
160/2	DOMAL STOPPER - EXPORT 40/50	50	30
160/3	ALFETTA	50	30
160/5	NC INTERNATIONAL	50	30
160/6	ERRE 40/50	50	30
160/7	ALL.CO 1	45	30
160/8	ERRE 4 3^ANTA	50	30
160/9	NC NUOVO SORMONTO	50	30
160/10	EKIP 40 COMPLANARE	50	30
160/11	NC INTERNATIONAL 3^ANTA	50	30
160/12	DOMAL STOPPER 3^ANTA	50	30
160/13	ALL.CO 5 SORMONTO	50	30
160/14	ALL.CO 5 SORMONTO 3^ANTA	50	30
160/15	EURO STOPPER	50	30
160/16	EKIP 40 3^ANTA	50	30
160/17	EKIP 40 SORMONTO	45	30
160/18	DOMAL 40 ARROTONDATO	50	30
163/2	DOMAL STOPPER COLLO LUNGO/ LONG NECK/ COL LONG	50	30
191/1	CERNIERA PER PERSIANA EPOCAL/ HINGE FOR EPOCAL SHUTTER/ PAUMELLE POUR VOLET EPOCAL	50	30
191/2	CERN. PER PERS. EPOCAL COLLO LUNGO/ LONG NECK HINGE FOR EPOCAL SHUTTER / PAUMELLE POUR VOLET EPOCAL COL LONG	50	30
194	P 4 SORMONTO	50	30
195	P 4 SORMONTO 3^ANTA	50	30
199/W3	ALL.CO WOOD 3^ANTA	45	30
160/20	REAL	50	30
160/2/3	DOMAL STOPPER 3 ALI/WINGS/ LAMES	50	30
160/15/3	EURO STOP 3 ALI/WINGS/ LAMES	50	30
160/6/3	R4 CON GRANI/ WITH DOWELS/ AVEC BOULONS 3 ALI/ WINGS/ LAMES	50	30
160/5/3	NC INTERNATIONAL 3 ALI/ WINGS/ LAMES	50	30
160/12/3	DOMAL STOP 3^ANTA 3 ALI/ WINGS/ LAMES	50	30
160/13/3	ALL.CO 5 SORM 3 ALI/ WINGS/ LAMES	50	30



CARATTERISTICHE CERNIERE A GIUNTO APERTO
Cerniera di tipo reversibile studiata e realizzata con una particolare forma di fissaggio. Nel materiale in dotazione, infatti, ci sono 4 viti inox, la cui particolare forma consente, una volta avvitata la cerniera, di creare delle interferenze sulla cassa del serramento, aumentando in modo notevole le capacità di portata della cerniera, che è di 80 Kg per coppia cerniera. Le piastrine in acciaio inox in dotazione, inoltre, sono zigrinate sui lati per consentire maggiore tenuta nel fissaggio. I risultati ottenuti sono frutto delle prove tecniche fatte dalla CASAL su ogni tipo di profilo.

MATERIALI E COMPONENTI

1 pz. Cerniera in alluminio estruso maschio lega 6060
1 pz. Cerniera in alluminio estruso femmina lega 6060
1 boccia in nylon
2 tappi in nylon
1 perno zincato d. 8xL.52
2 piastrine di fissaggio inox aisi 430
4 viti inox da M5

FINITURE

Anodizzato: argento, bronzo, elettrocolore, elox nero.
Verniciato: Ral standard vedi tabella colori
Speciali: Oro

CONFEZIONI

50 pz per confezione

VARIANTI

-A richiesta è possibile avere il perno inox
-Le cerniere possono essere richieste 3 ali.



CHARACTERISTICS OPEN JOINT HINGE
Paumelle de type réversible, étudiée et réalisée avec un trou de fixation spécial. En effet, les accessoires fournis incluent 4 vis spéciales inox; leur forme particulière permet, une fois la paumelle vissée, de modifier la caisse de la menuiserie et d'augmenter considérablement la charge maximale de la paumelle, qui est de 80 Kg par paire de paumelle. Paumelle dotée de deux plaques en acier inox zinguées sur les côtés pour permettre une fixation plus résistante. Les résultats obtenus sont le fruit d'essais techniques effectués par CASAL sur tous les types de profils.

MATERIALS AND COMPONENTS

1 pc extruded aluminium male hinge alloy 6060
1 pc extruded aluminium female hinge alloy 6060
1 nylon bush
2 nylon caps
1 galvanized pin d. 8xL.52
2 fixing plates inox aisi 430
4 M5 screws inox aisi 304

FINISHES

Anodized: silver, bronze, electro colour, black elox
Ral: standard, colour chart
Special: gold

PACKS

50 pcs in each pack

OPTIONAL: On request

-the hinges can be supplied with pin in stainless steel
-Also available with three wings version



CARACTERISTIQUES PAUMELLE A JOINT OUVERT
Paumelle de type réversible, étudiée et réalisée avec un trou de fixation spécial. En effet, les accessoires fournis incluent 4 vis spéciales inox; leur forme particulière permet, une fois la paumelle vissée, de modifier la caisse de la menuiserie et d'augmenter considérablement la charge maximale de la paumelle, qui est de 80 Kg par paire de paumelle. Paumelle dotée de deux plaques en acier inox zinguées sur les côtés pour permettre une fixation plus résistante. Les résultats obtenus sont le fruit d'essais techniques effectués par CASAL sur tous les types de profils.

MATERIAUX ET PIECES

1 Paumelle en aluminium extrudé male alliage 6060
1 paumelle en aluminium extrudé femelle alliage 6060
1 douille en nylon
2 bouchons en nylon
1 axe zingué d. 8xL.52
2 plaques de fixation inox aisi 430
4 vis M5 inox aisi 304

FINITIONS

Anodisées: argent, bronze, couleur électrique, elox noir
Ral: standard, tableau des couleurs
Speciale: or

EMBALLAGES

50 pièces par boîte

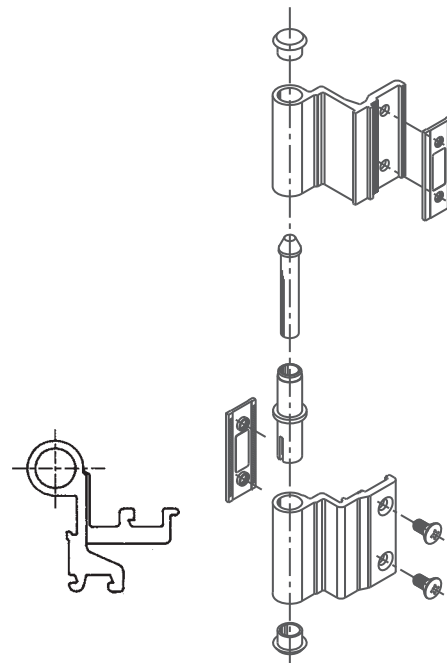
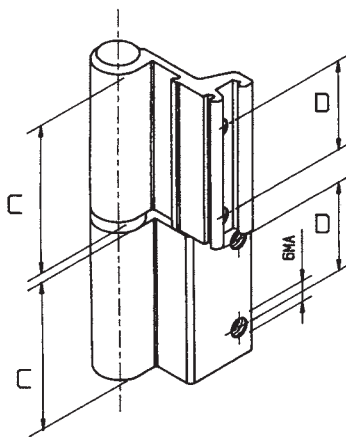
SUR DEMANDE:

-paumelle peut être demandée avec axe en acier inox
-paumelle peut être demandée tris

Cerniere per Giunto Aperto



160/18



ART.	Descrizione profilati/Description of sections/Type of profilé	Quote/Dimensions/Cotes	
		C	D
160/1	ALL.CO 5 COMPLANARE/ COPLANAR / COPLANAIRE	50	30
160/2	DOMAL STOPPER - EXPORT 40/50	50	30
160/3	ALFETTA	50	30
160/5	NC INTERNATIONAL	50	30
160/6	ERRE 40/50	50	30
160/7	ALL.CO 1	45	30
160/8	ERRE 4 3^ANTA	50	30
160/9	NC NUOVO SORMONTO	50	30
160/10	EKIP 40 COMPLANARE	50	30
160/11	NC INTERNATIONAL 3^ANTA	50	30
160/12	DOMAL STOPPER 3^ANTA	50	30
160/13	ALL.CO 5 SORMONTO	50	30
160/14	ALL.CO 5 SORMONTO 3^ANTA	50	30
160/15	EURO STOPPER	50	30
160/16	EKIP 40 3^ANTA	50	30
160/17	EKIP 40 SORMONTO	45	30
160/18	DOMAL 40 ARROTONDATO	50	30
163/2	DOMAL STOPPER COLLO LUNGO/ LONG NECK/ COL LONG	50	30
191/1	CERNIERA PER PERSIANA EPOCAL/ HINGE FOR EPOCAL SHUTTER/ PAUMELLE POUR VOLET EPOCAL	50	30
191/2	CERN. PER PERS. EPOCAL COLLO LUNGO/ LONG NECK HINGE FOR EPOCAL SHUTTER/ PAUMELLE POUR VOLET EPOCAL COL LONG	50	30
194	P 4 SORMONTO	50	30
195	P 4 SORMONTO 3^ANTA	50	30
199/W3	ALL.CO WOOD 3^ANTA	45	30
160/20	REAL	50	30
160/2/3	DOMAL STOPPER 3 ALI/WINGS/ LAMES	50	30
160/15/3	EURO STOP 3 ALI/WINGS/ LAMES	50	30
160/6/3	R4 CON GRANI/ WITH DOWELS/ AVEC BOULONS 3 ALI/ WINGS/ LAMES	50	30
160/5/3	NC INTERNATIONAL 3 ALI/ WINGS/ LAMES	50	30
160/12/3	DOMAL STOP 3^ANTA 3 ALI/ WINGS/ LAMES	50	30
160/13/3	ALL.CO 5 SORM 3 ALI/ WINGS/ LAMES	50	30



CARATTERISTICHE CERNIERE A GIUNTO APERTO

Cerniera di tipo reversibile studiata e realizzata con una particolare forma di fissaggio. Nel materiale in dotazione, infatti, ci sono 4 viti inox, la cui particolare forma consente, una volta avvitata la cerniera, di creare delle interferenze sulla cassa del serramento, aumentando in modo notevole le capacità di portata della cerniera, che è di 80 Kg per coppia cerniera. Le piastrine in acciaio inox in dotazione, inoltre, sono zigrinate sui lati per consentire maggiore tenuta nel fissaggio. I risultati ottenuti sono frutto delle prove tecniche fatte dalla CASAL su ogni tipo di profilo.

MATERIALI E COMPONENTI

1 pz. Cerniera in alluminio estruso maschio lega 6060
1 pz. Cerniera in alluminio estruso femmina lega 6060
1 boccola in nylon
1 perno inox d. 7x76
2 piastrine di fissaggio all.
4 viti inox da M5

FINITURE

Anodizzato: argento, bronzo, elettrocolore, elox nero.
Verniciato: Ral standard vedi tabella colori
Speciali: Oro

CONFEZIONI

50 pz per confezione



CHARACTERISTICS OPEN JOINT HINGE

Reversible type hinges designed and made with a particular fixing system. In fact, in the materials provided there are 4 special stainless steel screws; the particular shape of these screws, once the hinge is screwed on, create interferences on the door frame, considerably increasing hinge bearing capacity, which is of 80 Kg per hinge pair. In addition, the fixing plates in stainless steel furnished with, are knurling on sides to permit more fixing tightness. The results achieved are the fruit of technical tests that CASAL has conducted on all types of sections.

MATERIALS AND COMPONENTS

1 pc extruded aluminium male hinge alloy 6060
1 pc extruded aluminium female hinge alloy 6060
1 nylon bush
1 pin quik inox d. 7x76
2 fixing plates all.
4 M5 screws inox aisi 304

FINISHES

Anodized: silver, bronze, electro colour, black elox
Ral: standard, colour chart
Specials: gold

PACKS

50 pcs in each pack



CARACTERISTIQUES PAUMELLE A JOINT OUVERT

Paumelle de type réversible, étudiée et réalisée avec un trou de fixation spécial. En effet, les accessoires fournis incluent 4 vis spéciales inox; leur forme particulière permet, une fois la paumelle vissée, de modifier la caisse de la menuiserie et d'augmenter considérablement la charge maximale de la paumelle, qui est de 80 Kg par paire de paumelle. Paumelle dotée de deux plaques en acier inox zinguées sur les côtés pour permettre une fixation plus résistante. Les résultats obtenus sont le fruit d'essais techniques effectués par CASAL sur tous les types de profils.

MATERIAUX ET PIECES

1 Paumelle en aluminium extrudé male alliage 6060
1 paumelle en aluminium extrudé femelle alliage 6060
1 douille en nylon
1 axe quik inox d. 7x76
2 plaques de fixation all.
4 vis M5 inox aisi 304

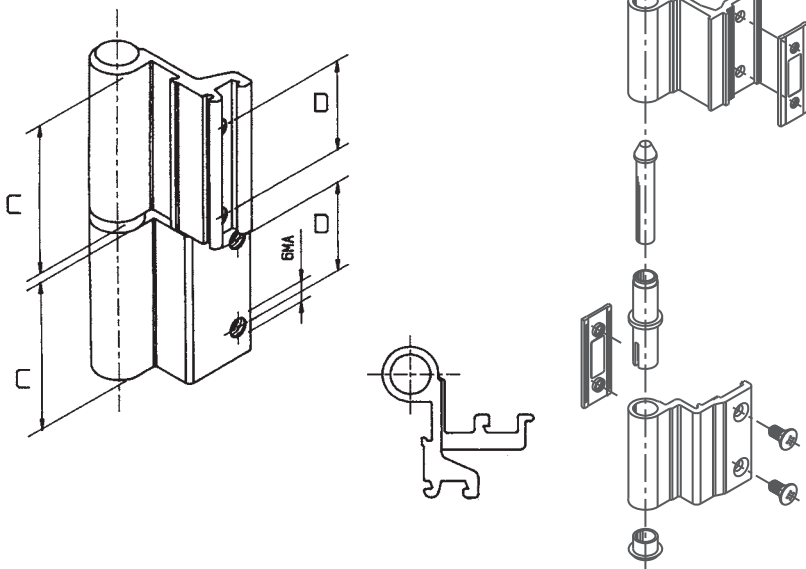
FINITIONS

Anodisées: argent, bronze, couleur électrique, elox noir
Ral: standard, tableau des couleurs
Speciale: or

EMBALLAGES

50 pièces par boîte

Cerniere per Giunto Aperto



163/2

ART.	Descrizione profilati/Description of sections/Type of profilé	Quote/Dimensions/Cotes	
		C	D
160/1	ALL.CO 5 COMPLANARE/ COPLANAR/ COPLANAIRE	50	30
160/2	DOMAL STOPPER - EXPORT 40/50	50	30
160/3	ALFETTA	50	30
160/5	NC INTERNATIONAL	50	30
160/6	ERRE 40/50	50	30
160/7	ALL.CO 1	45	30
160/8	ERRE 4 3^ANTA	50	30
160/9	NC NUOVO SORMONTO	50	30
160/10	EKIP 40 COMPLANARE	50	30
160/11	NC INTERNATIONAL 3^ANTA	50	30
160/12	DOMAL STOPPER 3^ANTA	50	30
160/13	ALL.CO 5 SORMONTO	50	30
160/14	ALL.CO 5 SORMONTO 3^ANTA	50	30
160/15	EURO STOPPER	50	30
160/16	EKIP 40 3^ANTA	50	30
160/17	EKIP 40 SORMONTO	45	30
160/18	DOMAL 40 ARROTONDATO	50	30
163/2	DOMAL STOPPER COLLO LUNGO/ LONG NECK/ COL LONG	50	30
191/1	CERNIERA PER PERSIANA EPOCAL/ HINGE FOR EPOCAL SHUTTER/ PAUMELLE POUR VOLET EPOCAL	50	30
191/2	CERN. PER PERS. EPOCAL COLLO LUNGO/ LONG NECK HINGE FOR EPOCAL SHUTTER/ PAUMELLE POUR VOLET EPOCAL COL LONG	50	30
194	P 4 SORMONTO	50	30
195	P 4 SORMONTO 3^ANTA	50	30
199/W3	ALL.CO WOOD 3^ANTA	45	30
160/20	REAL	50	30
160/2/3	DOMAL STOPPER 3 ALI/WINGS/ LAMES	50	30
160/15/3	EURO STOP 3 ALI/WINGS/ LAMES	50	30
160/6/3	R4 CON GRANI/ WITH DOWELS/ AVEC BOULONS 3 ALI/ WINGS/ LAMES	50	30
160/5/3	NC INTERNATIONAL 3 ALI/ WINGS/ LAMES	50	30
160/12/3	DOMAL STOP 3^ANTA 3 ALI/ WINGS/ LAMES	50	30
160/13/3	ALL.CO 5 SORM 3 ALI/ WINGS/ LAMES	50	30



CARATTERISTICHE CERNIERE A GIUNTO APERTO
Cerniera di tipo reversibile studiata e realizzata con una particolare forma di fissaggio. Nel materiale in dotazione, infatti, ci sono 4 viti inox, la cui particolare forma consente, una volta avvitata la cerniera, di creare delle interferenze sulla cassa del serramento, aumentando in modo notevole le capacità di portata della cerniera, che è di 80 Kg per coppia cerniera. Le piastrine in acciaio inox in dotazione, inoltre, sono zigrinate sui lati per consentire maggiore tenuta nel fissaggio. I risultati ottenuti sono frutto delle prove tecniche fatte dalla CASAL su ogni tipo di profilo.

MATERIALI E COMPONENTI

1 pz. Cerniera in alluminio estruso maschio lega 6060
1 pz. Cerniera in alluminio estruso femmina lega 6060
1 boccia in nylon
2 tappi in nylon
1 perno zincato d. 8xL.52
2 piastrine di fissaggio inox aisi 430
4 viti inox da M5

FINITURE

Anodizzato: argento, bronzo, elettrocolore, elox nero.
Verniciato: Ral standard vedi tabella colori
Speciali: Oro

CONFEZIONI

50 pz per confezione

VARIANTI

-A richiesta è possibile avere il perno inox
-Le cerniere possono essere richieste 3 ali.



CHARACTERISTICS OPEN JOINT HINGE
Reversible type hinges designed and made with a particular fixing system. In fact, in the materials provided there are 4 special stainless steel screws; the particular shape of these screws, once the hinge is screwed on, create interferences on the door frame, considerably increasing hinge bearing capacity, which is of 80 Kg per hinge pair. In addition, the fixing plates in stainless steel furnished with, are knurling on sides to permit more fixing tightness. The results achieved are the fruit of technical tests that CASAL has conducted on all types of sections.

MATERIALS AND COMPONENTS

1 pc extruded aluminium male hinge alloy 6060
1 pc extruded aluminium female hinge alloy 6060
1 nylon bush
2 nylon caps
1 galvanized pin d. 8xL.52
2 fixing plates inox aisi 430
4 M5 screws inox aisi 304

FINISHES

Anodized: silver, bronze, electro colour, black elox
Ral: standard, colour chart
Specials: gold

PACKS

50 pcs in each pack

OPTIONAL: On request

-the hinges can be supplied with pin in stainless steel
-Also available with three wings version



CARACTERISTIQUES PAUMELLE A JOINT OUVERT
Paumelle de type réversible, étudiée et réalisée avec un trou de fixation spécial. En effet, les accessoires fournis incluent 4 vis spéciales inox; leur forme particulière permet, une fois la paumelle vissée, de modifier la caisse de la menuiserie et d'augmenter considérablement la charge maximale de la paumelle, qui est de 80 Kg par paire de paumelle. Paumelle dotée de deux plaques en acier inox zinguées sur les côtés pour permettre une fixation plus résistante. Les résultats obtenus sont le fruit d'essais techniques effectués par CASAL sur tous les types de profils.

MATERIAUX ET PIECES

1 Paumelle en aluminium extrudé male alliage 6060
1 paumelle en aluminium extrudé femelle alliage 6060
1 douille en nylon
2 bouchons en nylon
1 axe zingué d. 8xL.52
2 plaques de fixation inox aisi 430
4 vis M5 inox aisi 304

FINITIONS

Anodisées: argent, bronze, couleur électrique, elox noir
Ral: standard, tableau des couleurs
Speciale: or

EMBALLAGES

50 pièces par boîte

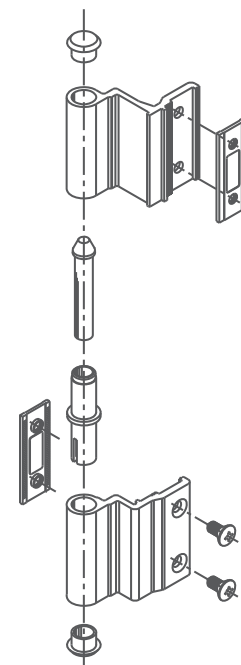
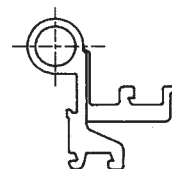
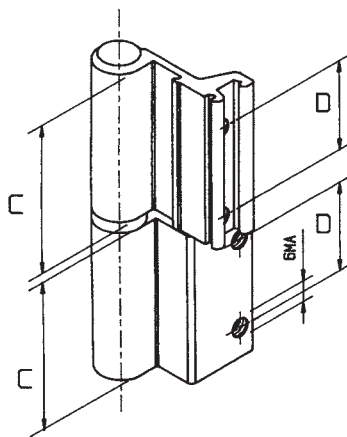
SUR DEMANDE:

-paumelle peut être demandée avec axe en acier inox
-paumelle peut être demandée tris

Cerniere per Giunto Aperto



191/1



ART.	Descrizione profilati/Description of sections/Type of profilé	Quote/Dimensions/Cotes	
		C	D
160/1	ALL.CO 5 COMPLANARE/ COPLANAR / COPLANAIRE	50	30
160/2	DOMAL STOPPER - EXPORT 40/50	50	30
160/3	ALFETTA	50	30
160/5	NC INTERNATIONAL	50	30
160/6	ERRE 40/50	50	30
160/7	ALL.CO 1	45	30
160/8	ERRE 4 3^ANTA	50	30
160/9	NC NUOVO SORMONTO	50	30
160/10	EKIP 40 COMPLANARE	50	30
160/11	NC INTERNATIONAL 3^ANTA	50	30
160/12	DOMAL STOPPER 3^ANTA	50	30
160/13	ALL.CO 5 SORMONTO	50	30
160/14	ALL.CO 5 SORMONTO 3^ANTA	50	30
160/15	EURO STOPPER	50	30
160/16	EKIP 40 3^ANTA	50	30
160/17	EKIP 40 SORMONTO	45	30
160/18	DOMAL 40 ARROTONDATO	50	30
163/2	DOMAL STOPPER COLLO LUNGO/ LONG NECK/ COL LONG	50	30
191/1	CERNIERA PER PERSIANA EPOCAL/ HINGE FOR EPOCAL SHUTTER/ PAUMELLE POUR VOLET EPOCAL	50	30
191/2	CERN. PER PERS. EPOCAL COLLO LUNGO/ LONG NECK HINGE FOR EPOCAL SHUTTER/ PAUMELLE POUR VOLET EPOCAL COL LONG	50	30
194	P 4 SORMONTO	50	30
195	P 4 SORMONTO 3^ANTA	50	30
199/W3	ALL.CO WOOD 3^ANTA	45	30
160/20	REAL	50	30
160/2/3	DOMAL STOPPER 3 ALI/WINGS/ LAMES	50	30
160/15/3	EURO STOP 3 ALI/WINGS/ LAMES	50	30
160/6/3	R4 CON GRANI/ WITH DOWELS/ AVEC BOULONS 3 ALI/ WINGS/ LAMES	50	30
160/5/3	NC INTERNATIONAL 3 ALI/ WINGS/ LAMES	50	30
160/12/3	DOMAL STOP 3^ANTA 3 ALI/ WINGS/ LAMES	50	30
160/13/3	ALL.CO 5 SORM 3 ALI/ WINGS/ LAMES	50	30



CARATTERISTICHE CERNIERE A GIUNTO APERTO

Cerniera di tipo reversibile studiata e realizzata con una particolare forma di fissaggio. Nel materiale in dotazione, infatti, ci sono 4 viti inox, la cui particolare forma consente, una volta avvitata la cerniera, di creare delle interferenze sulla cassa del serramento, aumentando in modo notevole le capacità di portata della cerniera, che è di 80 Kg per coppia cerniera. Le piastrine in acciaio inox in dotazione, inoltre, sono zigrinate sui lati per consentire maggiore tenuta nel fissaggio. I risultati ottenuti sono frutto delle prove tecniche fatte dalla CASAL su ogni tipo di profilo.

MATERIALI E COMPONENTI

1 pz. Cerniera in alluminio estruso maschio lega 6060
1 pz. Cerniera in alluminio estruso femmina lega 6060
1 boccia in nylon
2 tappi in nylon
1 perno zincato d. 8xL52
2 piastrine di fissaggio inox aisi 430
4 viti inox da M5

FINITURE

Anodizzato: argento, bronzo, elettrocolore, elox nero.
Verniciato: Ral standard vedi tabella colori
Speciali: Oro

CONFEZIONI

50 pz per confezione

VARIANTI

-A richiesta è possibile avere il perno in oxid
-Le cerniere possono essere richieste 3 ali.



CHARACTERISTICS OPEN JOINT HINGE

Reversible type hinges designed and made with a particular fixing system. In fact, in the materials provided there are 4 special stainless steel screws; the particular shape of these screws, once the hinge is screwed on, create interferences on the door frame, considerably increasing hinge bearing capacity, which is of 80 Kg per hinge pair. In addition, the fixing plates in stainless steel furnished with, are knurling on sides to permit more fixing tightness. The results achieved are the fruit of technical tests that CASAL has conducted on all types of sections.

MATERIALS AND COMPONENTS

1 pc extruded aluminium male hinge alloy 6060
1 pc extruded aluminium female hinge alloy 6060
1 nylon bush
2 nylon caps
1 galvanized pin d. 8xL52
2 fixing plates inox aisi 430
4 M5 screws inox aisi 304

FINISHES

Anodized: silver, bronze, electro colour, black elox
Ral: standard, colour chart
Specials: gold

PACKS

50 pcs in each pack

OPTIONAL: On request

-the hinges can be supplied with pin in stainless steel
-Also available with three wings version



CARACTERISTIQUES PAUMELLE A JOINT OUVERT

Paumelle de type réversible, étudiée et réalisée avec un trou de fixation spécial. En effet, les accessoires fournis incluent 4 vis spéciales inox; leur forme particulière permet, une fois la paumelle vissée, de modifier la caisse de la menuiserie et d'augmenter considérablement la charge maximale de la paumelle, qui est de 80 Kg par paire de paumelle. Paumelle dotée de deux plaques en acier inox zinguées sur les côtés pour permettre une fixation plus résistante. Les résultats obtenus sont le fruit d'essais techniques effectués par CASAL sur tous les types de profils.

MATERIAUX ET PIECES

1 Paumelle en aluminium extrudé male alliage 6060
1 paumelle en aluminium extrudé femelle alliage 6060
1 douille en nylon
2 bouchons en nylon
1 axe zincué d. 8xL52
2 plaques de fixation inox aisi 430
4 vis M5 inox aisi 304

FINITIONS

Anodisées: argent, bronze, couleur électrique, elox noir
Ral: standard, tableau des couleurs
Speciale: or

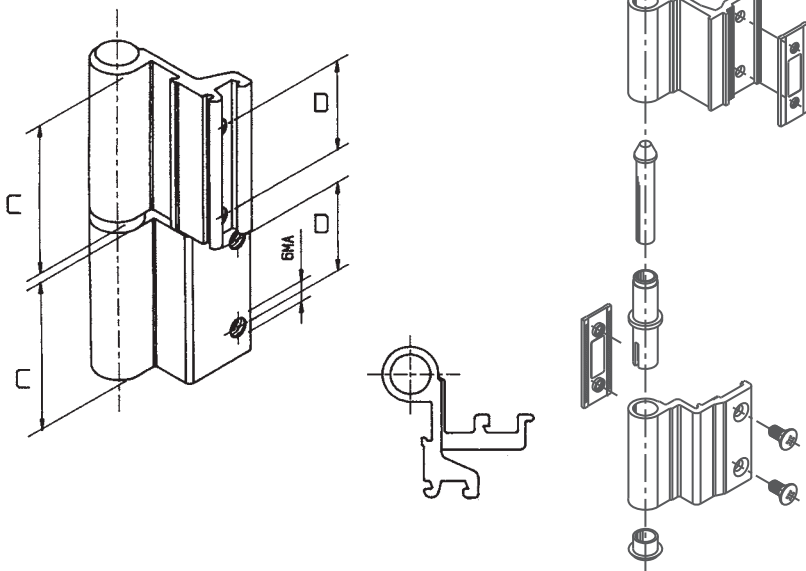
EMBALLAGES

50 pièces par boîte

SUR DEMANDE:

-paumelle peut être demandée avec axe en acier inox
-paumelle peut être demandée tris

Cerniere per Giunto Aperto



191/2

ART.	Descrizione profilati/Description of sections/Type of profilé	Quote/Dimensions/Cotes	
		C	D
160/1	ALL.CO 5 COMPLANARE/ COPLANAR/ COPLANAIRE	50	30
160/2	DOMAL STOPPER - EXPORT 40/50	50	30
160/3	ALFETTA	50	30
160/5	NC INTERNATIONAL	50	30
160/6	ERRE 40/50	50	30
160/7	ALL.CO 1	45	30
160/8	ERRE 4 3^ANTA	50	30
160/9	NC NUOVO SORMONTO	50	30
160/10	EKIP 40 COMPLANARE	50	30
160/11	NC INTERNATIONAL 3^ANTA	50	30
160/12	DOMAL STOPPER 3^ANTA	50	30
160/13	ALL.CO 5 SORMONTO	50	30
160/14	ALL.CO 5 SORMONTO 3^ANTA	50	30
160/15	EURO STOPPER	50	30
160/16	EKIP 40 3^ANTA	50	30
160/17	EKIP 40 SORMONTO	45	30
160/18	DOMAL 40 ARROTONDATO	50	30
163/2	DOMAL STOPPER COLLO LUNGO/ LONG NECK/ COL LONG	50	30
191/1	CERNIERA PER PERSIANA EPOCAL/ HINGE FOR EPOCAL SHUTTER/ PAUMELLE POUR VOLET EPOCAL	50	30
191/2	CERN. PER PERS. EPOCAL COLLO LUNGO/ LONG NECK HINGE FOR EPOCAL SHUTTER/ PAUMELLE POUR VOLET EPOCAL COL LONG	50	30
194	P 4 SORMONTO	50	30
195	P 4 SORMONTO 3^ANTA	50	30
199/W3	ALL.CO WOOD 3^ANTA	45	30
160/20	REAL	50	30
160/2/3	DOMAL STOPPER 3 ALI/WINGS/LAMES	50	30
160/15/3	EURO STOP 3 ALI/WINGS/LAMES	50	30
160/6/3	R4 CON GRANI/ WITH DOWELS/ AVEC BOULONS 3 ALI/ WINGS/LAMES	50	30
160/5/3	NC INTERNATIONAL 3 ALI/ WINGS/LAMES	50	30
160/12/3	DOMAL STOP 3^ANTA 3 ALI/ WINGS/LAMES	50	30
160/13/3	ALL.CO 5 SORM 3 ALI/ WINGS/LAMES	50	30

 **CARATTERISTICHE CERNIERE A GIUNTO APERTO**
Cerniera di tipo reversibile studiata e realizzata con una particolare forma di fissaggio. Nel materiale in dotazione, infatti, ci sono 4 viti inox, la cui particolare forma consente, una volta avvitata la cerniera, di creare delle interferenze sulla cassa del serramento, aumentando in modo notevole le capacità di portata della cerniera, che è di 80 Kg per coppia cerniera. Le piastrine in acciaio inox in dotazione, inoltre, sono zigrinate sui lati per consentire maggiore tenuta nel fissaggio. I risultati ottenuti sono frutto delle prove tecniche fatte dalla CASAL su ogni tipo di profilo.

MATERIALI E COMPONENTI

1 pz. Cerniera in alluminio estruso maschio lega 6060
1 pz. Cerniera in alluminio estruso femmina lega 6060
1 boccia in nylon
2 tappi in nylon
1 perno zincato d. 8xL52
2 piastrine di fissaggio inox aisi 430
4 viti inox da M5

FINITURE


Anodizzato: argento, bronzo, elettrocolore, elox nero.
Verniciato: Ral standard vedi tabella colori
Speciali: Oro

CONFEZIONI

50 pz per confezione

VARIANTI

-A richiesta è possibile avere il perno inox
-Le cerniere possono essere richieste 3 ali.

 **CHARACTERISTICS OPEN JOINT HINGE**
Reversible type hinges designed and made with a particular fixing system. In fact, in the materials provided there are 4 special stainless steel screws; the particular shape of these screws, once the hinge is screwed on, create interferences on the door frame, considerably increasing hinge bearing capacity, which is of 80 Kg per hinge pair. In addition, the fixing plates in stainless steel furnished with, are knurling on sides to permit more fixing tightness. The results achieved are the fruit of technical tests that CASAL has conducted on all types of sections.

MATERIALS AND COMPONENTS

1 pc extruded aluminium male hinge alloy 6060
1 pc extruded aluminium female hinge alloy 6060
1 nylon bush
2 nylon caps
1 galvanized pin d. 8xL52
2 fixing plates inox aisi 430
4 M5 screws inox aisi 304

FINISHES


Anodized: silver, bronze, electro colour, black elox
Ral: standard, colour chart
Specials: gold

PACKS

50 pcs in each pack

OPTIONAL: On request

-the hinges can be supplied with pin in stainless steel
-Also available with three wings version

 **CARACTERISTIQUES PAUMELLE A JOINT OUVERT**
Paumelle de type réversible, étudiée et réalisée avec un trou de fixation spécial. En effet, les accessoires fournis incluent 4 vis spéciales inox; leur forme particulière permet, une fois la paumelle vissée, de modifier la caisse de la menuiserie et d'augmenter considérablement la charge maximale de la paumelle, qui est de 80 Kg par paire de paumelle. Paumelle dotée de deux plaques en acier inox zinguées sur les côtés pour permettre une fixation plus résistante. Les résultats obtenus sont le fruit d'essais techniques effectués par CASAL sur tous les types de profils.

MATERIAUX ET PIECES

1 Paumelle en aluminium extrudé male alliage 6060
1 paumelle en aluminium extrudé femelle alliage 6060
1 douille en nylon
2 bouchons en nylon
1 axe zingué d. 8xL52
2 plaques de fixation inox aisi 430
4 vis M5 inox aisi 304

FINITIONS

Anodisées: argent, bronze, couleur électrique, elox noir
Ral: standard, tableau des couleurs
Speciale: or

EMBALLAGES

50 pièces par boîte

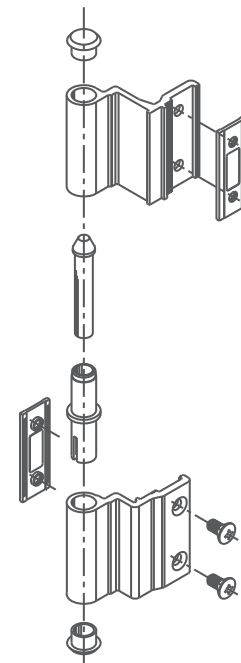
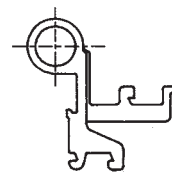
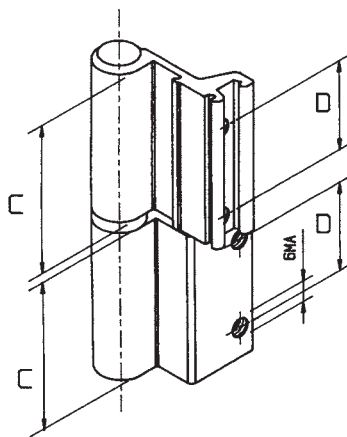
SUR DEMANDE:

-paumelle peut être demandée avec axe en acier inox
-paumelle peut être demandée tris

Cerniere per Giunto Aperto



194



ART.	Descrizione profilati/Description of sections/Type of profilé	Quote/Dimensions/Cotes	
		C	D
160/1	ALL.CO 5 COMPLANARE/ COPLANAR / COPLANAIRE	50	30
160/2	DOMAL STOPPER - EXPORT 40/50	50	30
160/3	ALFETTA	50	30
160/5	NC INTERNATIONAL	50	30
160/6	ERRE 40/50	50	30
160/7	ALL.CO 1	45	30
160/8	ERRE 4 3^ANTA	50	30
160/9	NC NUOVO SORMONTO	50	30
160/10	EKIP 40 COMPLANARE	50	30
160/11	NC INTERNATIONAL 3^ANTA	50	30
160/12	DOMAL STOPPER 3^ANTA	50	30
160/13	ALL.CO 5 SORMONTO	50	30
160/14	ALL.CO 5 SORMONTO 3^ANTA	50	30
160/15	EURO STOPPER	50	30
160/16	EKIP 40 3^ANTA	50	30
160/17	EKIP 40 SORMONTO	45	30
160/18	DOMAL 40 ARROTONDATO	50	30
163/2	DOMAL STOPPER COLLO LUNGO/ LONG NECK/ COL LONG	50	30
191/1	CERNIERA PER PERSIANA EPOCAL/ HINGE FOR EPOCAL SHUTTER/ PAUMELLE POUR VOLET EPOCAL	50	30
191/2	CERN. PER PERS. EPOCAL COLLO LUNGO/ LONG NECK HINGE FOR EPOCAL SHUTTER/ PAUMELLE POUR VOLET EPOCAL COL LONG	50	30
194	P 4 SORMONTO	50	30
195	P 4 SORMONTO 3^ANTA	50	30
199/W3	ALL.CO WOOD 3^ANTA	45	30
160/20	REAL	50	30
160/2/3	DOMAL STOPPER 3 ALI/WINGS/ LAMES	50	30
160/15/3	EURO STOP 3 ALI/WINGS/ LAMES	50	30
160/6/3	R4 CON GRANI/ WITH DOWELS/ AVEC BOULONS 3 ALI/ WINGS/ LAMES	50	30
160/5/3	NC INTERNATIONAL 3 ALI/ WINGS/ LAMES	50	30
160/12/3	DOMAL STOP 3^ANTA 3 ALI/ WINGS/ LAMES	50	30
160/13/3	ALL.CO 5 SORM 3 ALI/ WINGS/ LAMES	50	30



CARATTERISTICHE CERNIERE A GIUNTO APERTO

Cerniera di tipo reversibile studiata e realizzata con una particolare forma di fissaggio. Nel materiale in dotazione, infatti, ci sono 4 viti inox, la cui particolare forma consente, una volta avvitata la cerniera, di creare delle interferenze sulla cassa del serramento, aumentando in modo notevole le capacità di portata della cerniera, che è di 80 Kg per coppia cerniera. Le piastrine in acciaio inox in dotazione, inoltre, sono zigrinate sui lati per consentire maggiore tenuta nel fissaggio. I risultati ottenuti sono frutto delle prove tecniche fatte dalla CASAL su ogni tipo di profilo.

MATERIALI E COMPONENTI

1 pz. Cerniera in alluminio estruso maschio lega 6060
1 pz. Cerniera in alluminio estruso femmina lega 6060
1 boccia in nylon
2 tappi in nylon
1 perno zincato d. 8xL52
2 piastrine di fissaggio inox aisi 430
4 viti inox da M5

FINITURE

Anodizzato: argento, bronzo, elettrocolore, elox nero.
Verniciato: Ral standard vedi tabella colori
Speciali: Oro

CONFEZIONI

50 pz per confezione

VARIANTI

-A richiesta è possibile avere il perno in oxid
-Le cerniere possono essere richieste 3 ali.



CHARACTERISTICS OPEN JOINT HINGE

Reversible type hinges designed and made with a particular fixing system. In fact, in the materials provided there are 4 special stainless steel screws; the particular shape of these screws, once the hinge is screwed on, create interferences on the door frame, considerably increasing hinge bearing capacity, which is of 80 Kg per hinge pair. In addition, the fixing plates in stainless steel furnished with, are knurling on sides to permit more fixing tightness. The results achieved are the fruit of technical tests that CASAL has conducted on all types of sections.

MATERIALS AND COMPONENTS

1 pc extruded aluminium male hinge alloy 6060
1 pc extruded aluminium female hinge alloy 6060
1 nylon bush
2 nylon caps
1 galvanized pin d. 8xL52
2 fixing plates inox aisi 430
4 M5 screws inox aisi 304

FINISHES

Anodized: silver, bronze, electro colour, black elox
Ral: standard, colour chart
Specials: gold

PACKS

50 pcs in each pack

OPTIONAL: On request

-the hinges can be supplied with pin in stainless steel
-Also available with three wings version



CARACTERISTIQUES PAUMELLE A JOINT OUVERT

Paumelle de type réversible, étudiée et réalisée avec un trou de fixation spécial. En effet, les accessoires fournis incluent 4 vis spéciales inox; leur forme particulière permet, une fois la paumelle vissée, de modifier la caisse de la menuiserie et d'augmenter considérablement la charge maximale de la paumelle, qui est de 80 Kg par paire de paumelle. Paumelle dotée de deux plaques en acier inox zinguées sur les côtés pour permettre une fixation plus résistante. Les résultats obtenus sont le fruit d'essais techniques effectués par CASAL sur tous les types de profils.

MATERIAUX ET PIECES

1 Paumelle en aluminium extrudé male alliage 6060
1 paumelle en aluminium extrudé femelle alliage 6060
1 douille en nylon
2 bouchons en nylon
1 axe zincué d. 8xL52
2 plaques de fixation inox aisi 430
4 vis M5 inox aisi 304

FINITIONS

Anodisées: argent, bronze, couleur électrique, elox noir
Ral: standard, tableau des couleurs
Speciale: or

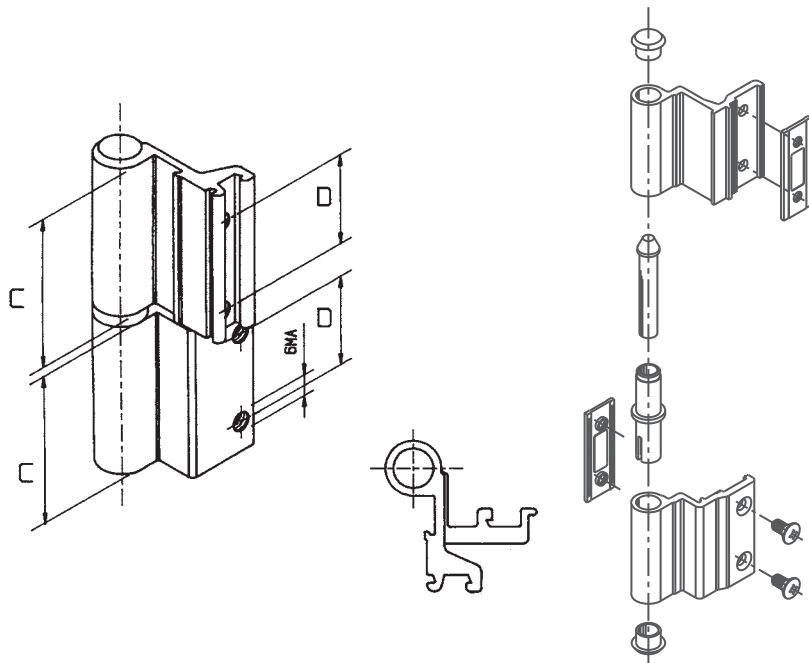
EMBALLAGES

50 pièces par boîte

SUR DEMANDE:

-paumelle peut être demandée avec axe en acier inox
-paumelle peut être demandée tris

Cerniere per Giunto Aperto



195

ART.	Descrizione profilati/Description of sections/Type of profilé	Quote/Dimensions/Cotes	
		C	D
160/1	ALL.CO 5 COMPLANARE/ COPLANAR/ COPLANAIRE	50	30
160/2	DOMAL STOPPER - EXPORT 40/50	50	30
160/3	ALFETTA	50	30
160/5	NC INTERNATIONAL	50	30
160/6	ERRE 40/50	50	30
160/7	ALL.CO 1	45	30
160/8	ERRE 4 3^ANTA	50	30
160/9	NC NUOVO SORMONTO	50	30
160/10	EKIP 40 COMPLANARE	50	30
160/11	NC INTERNATIONAL 3^ANTA	50	30
160/12	DOMAL STOPPER 3^ANTA	50	30
160/13	ALL.CO 5 SORMONTO	50	30
160/14	ALL.CO 5 SORMONTO 3^ANTA	50	30
160/15	EURO STOPPER	50	30
160/16	EKIP 40 3^ANTA	50	30
160/17	EKIP 40 SORMONTO	45	30
160/18	DOMAL 40 ARROTONDATO	50	30
163/2	DOMAL STOPPER COLLO LUNGO/ LONG NECK/ COL LONG	50	30
191/1	CERNIERA PER PERSIANA EPOCAL/ HINGE FOR EPOCAL SHUTTER/ PAUMELLE POUR VOLET EPOCAL	50	30
191/2	CERN. PER PERS. EPOCAL COLLO LUNGO/ LONG NECK HINGE FOR EPOCAL SHUTTER/ PAUMELLE POUR VOLET EPOCAL COL LONG	50	30
194	P 4 SORMONTO	50	30
195	P 4 SORMONTO 3^ANTA	50	30
199/W3	ALL.CO WOOD 3^ANTA	45	30
160/20	REAL	50	30
160/2/3	DOMAL STOPPER 3 ALI/WINGS/ LAMES	50	30
160/15/3	EURO STOP 3 ALI/WINGS/ LAMES	50	30
160/6/3	R4 CON GRANI/ WITH DOWELS/ AVEC BOULONS 3 ALI/ WINGS/ LAMES	50	30
160/5/3	NC INTERNATIONAL 3 ALI/ WINGS/ LAMES	50	30
160/12/3	DOMAL STOP 3^ANTA 3 ALI/ WINGS/ LAMES	50	30
160/13/3	ALL.CO 5 SORM 3 ALI/ WINGS/ LAMES	50	30



CARATTERISTICHE CERNIERE A GIUNTO APERTO
Cerniera di tipo reversibile studiata e realizzata con una particolare forma di fissaggio. Nel materiale in dotazione, infatti, ci sono 4 viti inox, la cui particolare forma consente, una volta avvitata la cerniera, di creare delle interferenze sulla cassa del serramento, aumentando in modo notevole le capacità di portata della cerniera, che è di 80 Kg per coppia cerniera. Le piastrine in acciaio inox in dotazione, inoltre, sono zigrinate sui lati per consentire maggiore tenuta nel fissaggio. I risultati ottenuti sono frutto delle prove tecniche fatte dalla CASAL su ogni tipo di profilo.

MATERIALI E COMPONENTI

- 1 pz. Cerniera in alluminio estruso maschio lega 6060
- 1 pz. Cerniera in alluminio estruso femmina lega 6060
- 1 boccia in nylon
- 2 tappi in nylon
- 1 perno zincato d. 8xL.52
- 2 piastrine di fissaggio inox aisi 430
- 4 viti inox da M5

FINITURE

Anodizzato: argento, bronzo, elettrocolore, elox nero.
Verniciato: Ral standard vedi tabella colori
Speciali: Oro

CONFEZIONI

50 pz per confezione

VARIANTI

- A richiesta è possibile avere il perno inox
- Le cerniere possono essere richieste 3 ali.



CHARACTERISTICS OPEN JOINT HINGE
Reversible type hinges designed and made with a particular fixing system. In fact, in the materials provided there are 4 special stainless steel screws; the particular shape of these screws, once the hinge is screwed on, create interferences on the door frame, considerably increasing hinge bearing capacity, which is of 80 Kg per hinge pair. In addition, the fixing plates in stainless steel furnished with, are knurling on sides to permit more fixing tightness. The results achieved are the fruit of technical tests that CASAL has conducted on all types of sections.

MATERIALS AND COMPONENTS

- 1 pc extruded aluminium male hinge alloy 6060
- 1 pc extruded aluminium female hinge alloy 6060
- 1 nylon bush
- 2 nylon caps
- 1 galvanized pin d. 8xL.52
- 2 fixing plates inox aisi 430
- 4 M5 screws inox aisi 304

FINISHES

Anodized: silver, bronze, electro colour, black elox
Ral: standard, colour chart
Specials: gold

PACKS

50 pcs in each pack

OPTIONAL: On request

- the hinges can be supplied with pin in stainless steel
- Also available with three wings version



CARACTERISTIQUES PAUMELLE A JOINT OUVERT
Paumelle de type réversible, étudiée et réalisée avec un trou de fixation spécial. En effet, les accessoires fournis incluent 4 vis spéciales inox; leur forme particulière permet, une fois la paumelle vissée, de modifier la caisse de la menuiserie et d'augmenter considérablement la charge maximale de la paumelle, qui est de 80 Kg par paire de paumelle. Paumelle dotée de deux plaques en acier inox zinguées sur les côtés pour permettre une fixation plus résistante. Les résultats obtenus sont le fruit d'essais techniques effectués par CASAL sur tous les types de profils.

MATERIAUX ET PIECES

- 1 Paumelle en aluminium extrudé male alliage 6060
- 1 paumelle en aluminium extrudé femelle alliage 6060
- 1 douille en nylon
- 2 bouchons en nylon
- 1 axe zingué d. 8xL.52
- 2 plaques de fixation inox aisi 430
- 4 vis M5 inox aisi 304

FINITIONS

Anodisées: argent, bronze, couleur électrique, elox noir
Ral: standard, tableau des couleurs
Speciale: or

EMBALLAGES

50 pièces par boîte

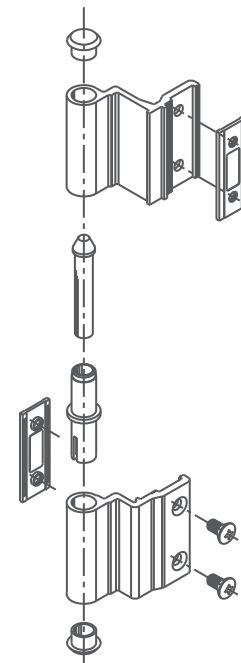
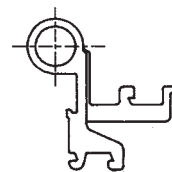
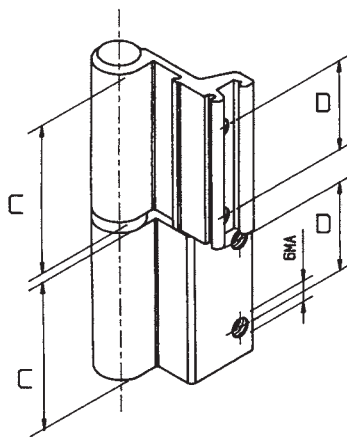
SUR DEMANDE:

- paumelle peut être demandée avec axe en acier inox
- paumelle peut être demandée tris

Cerniere per Giunto Aperto



199/W3



ART.	Descrizione profilati/Description of sections/Type of profilé	Quote/Dimensions/Cotes	
		C	D
160/1	ALL.CO 5 COMPLANARE/ COPLANAR / COPLANAIRE	50	30
160/2	DOMAL STOPPER - EXPORT 40/50	50	30
160/3	ALFETTA	50	30
160/5	NC INTERNATIONAL	50	30
160/6	ERRE 40/50	50	30
160/7	ALL.CO 1	45	30
160/8	ERRE 4 3^ANTA	50	30
160/9	NC NUOVO SORMONTO	50	30
160/10	EKIP 40 COMPLANARE	50	30
160/11	NC INTERNATIONAL 3^ANTA	50	30
160/12	DOMAL STOPPER 3^ANTA	50	30
160/13	ALL.CO 5 SORMONTO	50	30
160/14	ALL.CO 5 SORMONTO 3^ANTA	50	30
160/15	EURO STOPPER	50	30
160/16	EKIP 40 3^ANTA	50	30
160/17	EKIP 40 SORMONTO	45	30
160/18	DOMAL 40 ARROTONDATO	50	30
163/2	DOMAL STOPPER COLLO LUNGO/ LONG NECK/ COL LONG	50	30
191/1	CERNIERA PER PERSIANA EPOCAL/ HINGE FOR EPOCAL SHUTTER/ PAUMELLE POUR VOLET EPOCAL	50	30
191/2	CERN. PER PERS. EPOCAL COLLO LUNGO/ LONG NECK HINGE FOR EPOCAL SHUTTER/ PAUMELLE POUR VOLET EPOCAL COL LONG	50	30
194	P 4 SORMONTO	50	30
195	P 4 SORMONTO 3^ANTA	50	30
199/W3	ALL.CO WOOD 3^ANTA	45	30
160/20	REAL	50	30
160/2/3	DOMAL STOPPER 3 ALI/WINGS/ LAMES	50	30
160/15/3	EURO STOP 3 ALI/WINGS/ LAMES	50	30
160/6/3	R4 CON GRANI/ WITH DOWELS/ AVEC BOULONS 3 ALI/ WINGS/ LAMES	50	30
160/5/3	NC INTERNATIONAL 3 ALI/ WINGS/ LAMES	50	30
160/12/3	DOMAL STOP 3^ANTA 3 ALI/ WINGS/ LAMES	50	30
160/13/3	ALL.CO 5 SORM 3 ALI/ WINGS/ LAMES	50	30



CARATTERISTICHE CERNIERE A GIUNTO APERTO

Cerniera di tipo reversibile studiata e realizzata con una particolare forma di fissaggio. Nel materiale in dotazione, infatti, ci sono 4 viti inox, la cui particolare forma consente, una volta avvitata la cerniera, di creare delle interferenze sulla cassa del serramento, aumentando in modo notevole le capacità di portata della cerniera, che è di 80 Kg per coppia cerniera. Le piastrine in acciaio inox in dotazione, inoltre, sono zigrinate sui lati per consentire maggiore tenuta nel fissaggio. I risultati ottenuti sono frutto delle prove tecniche fatte dalla CASAL su ogni tipo di profilo.

MATERIALI E COMPONENTI

1 pz. Cerniera in alluminio estruso maschio lega 6060
1 pz. Cerniera in alluminio estruso femmina lega 6060
1 boccola in nylon D.9
1 perno zincato D.7
2 piastrine di fissaggio in all.
4 viti inox da M5

FINITURE

Anodizzato: argento, bronzo, elettrocolore, elox nero.
Verniciato: Ral standard vedi tabella colori
Speciali: Oro

CONFEZIONI

50 pz per confezione



CHARACTERISTICS OPEN JOINT HINGE

Reversible type hinges designed and made with a particular fixing system. In fact, in the materials provided there are 4 special stainless steel screws; the particular shape of these screws, once the hinge is screwed on, create interferences on the door frame, considerably increasing hinge bearing capacity, which is of 80 Kg per hinge pair. In addition, the fixing plates in stainless steel furnished with, are knurling on sides to permit more fixing tightness. The results achieved are the fruit of technical tests that CASAL has conducted on all types of sections.

MATERIALS AND COMPONENTS

1 pc extruded aluminium male hinge alloy 6060
1 pc extruded aluminium female hinge alloy 6060
1 nylon bush D.9
1 galvanized pin D.7
2 fixing plates all.
4 M5 screws inox aisi 304

FINISHES

Anodized: silver, bronze, electro colour, black elox
Ral: standard, colour chart
Specials: gold

PACKS

50 pcs in each pack



CARACTERISTIQUES PAUMELLE A JOINT OUVERT

Paumelle de type réversible, étudiée et réalisée avec un trou de fixation spécial. En effet, les accessoires fournis incluent 4 vis spéciales inox; leur forme particulière permet, une fois la paumelle vissée, de modifier la caisse de la menuiserie et d'augmenter considérablement la charge maximale de la paumelle, qui est de 80 Kg par paire de paumelle. Paumelle dotée de deux plaques en acier inox zinguées sur les côtés pour permettre une fixation plus résistante. Les résultats obtenus sont le fruit d'essais techniques effectués par CASAL sur tous les types de profils.

MATERIAUX ET PIECES

1 Paumelle en aluminium extrudé male alliage 6060
1 paumelle en aluminium extrudé femelle alliage 6060
1 douille en nylon D.9
1 axe zincé D.7
2 plaques de fixation en zama
4 vis M5 inox aisi 304

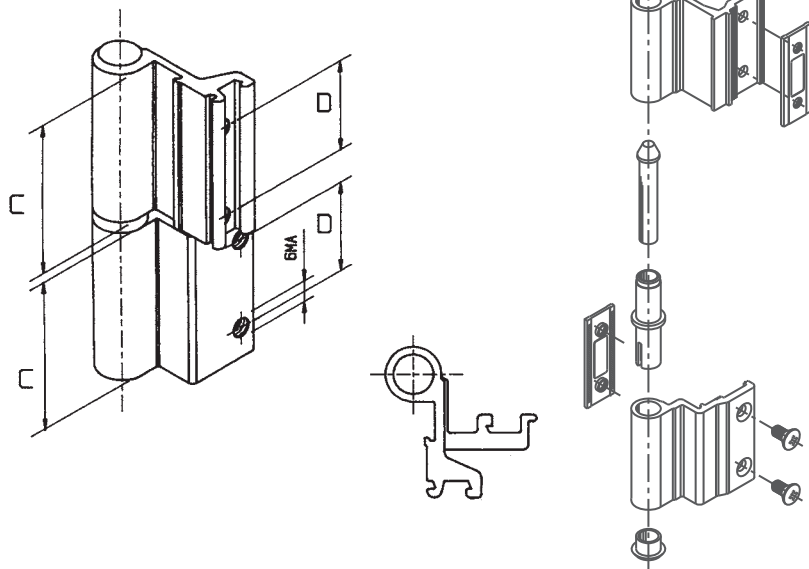
FINITIONS

Anodisées: argent, bronze, couleur électrique, elox noir
Ral: standard, tableau des couleurs
Speciale: or

EMBALLAGES

50 pièces par boîte

Cerniere per Giunto Aperto



160/20

ART.	Descrizione profilati/Description of sections/Type of profilé	Quote/Dimensions/Cotes	
		C	D
160/1	ALL.CO 5 COMPLANARE/ COPLANAR/ COPLANAIRE	50	30
160/2	DOMAL STOPPER - EXPORT 40/50	50	30
160/3	ALFETTA	50	30
160/5	NC INTERNATIONAL	50	30
160/6	ERRE 40/50	50	30
160/7	ALL.CO 1	45	30
160/8	ERRE 4 3^ANTA	50	30
160/9	NC NUOVO SORMONTO	50	30
160/10	EKIP 40 COMPLANARE	50	30
160/11	NC INTERNATIONAL 3^ANTA	50	30
160/12	DOMAL STOPPER 3^ANTA	50	30
160/13	ALL.CO 5 SORMONTO	50	30
160/14	ALL.CO 5 SORMONTO 3^ANTA	50	30
160/15	EURO STOPPER	50	30
160/16	EKIP 40 3^ANTA	50	30
160/17	EKIP 40 SORMONTO	45	30
160/18	DOMAL 40 ARROTONDATO	50	30
163/2	DOMAL STOPPER COLLO LUNGO/ LONG NECK/ COL LONG	50	30
191/1	CERNIERA PER PERSIANA EPOCAL/ HINGE FOR EPOCAL SHUTTER/ PAUMELLE POUR VOLET EPOCAL	50	30
191/2	CERN. PER PERS. EPOCAL COLLO LUNGO/ LONG NECK HINGE FOR EPOCAL SHUTTER / PAUMELLE POUR VOLET EPOCAL COL LONG	50	30
194	P 4 SORMONTO	50	30
195	P 4 SORMONTO 3^ANTA	50	30
199/W3	ALL.CO WOOD 3^ANTA	45	30
160/20	REAL	50	30
160/2/3	DOMAL STOPPER 3 ALI/WINGS/ LAMES	50	30
160/15/3	EURO STOP 3 ALI/WINGS/ LAMES	50	30
160/6/3	R4 CON GRANI/ WITH DOWELS/ AVEC BOULONS 3 ALI/ WINGS/ LAMES	50	30
160/5/3	NC INTERNATIONAL 3 ALI/ WINGS/ LAMES	50	30
160/12/3	DOMAL STOP 3^ANTA 3 ALI/ WINGS/ LAMES	50	30
160/13/3	ALL.CO 5 SORM 3 ALI/ WINGS/ LAMES	50	30



CARATTERISTICHE CERNIERE A GIUNTO APERTO
Cerniera di tipo reversibile studiata e realizzata con una particolare forma di fissaggio. Nel materiale in dotazione, infatti, ci sono 4 viti inox, la cui particolare forma consente, una volta avvitata la cerniera, di creare delle interferenze sulla cassa del serramento, aumentando in modo notevole le capacità di portata della cerniera, che è di 80 Kg per coppia cerniera. Le piastrine in acciaio inox in dotazione, inoltre, sono zigrinate sui lati per consentire maggiore tenuta nel fissaggio. I risultati ottenuti sono frutto delle prove tecniche fatte dalla CASAL su ogni tipo di profilo.

MATERIALI E COMPONENTI

- 1 pz. Cerniera in alluminio estruso maschio lega 6060
- 1 pz. Cerniera in alluminio estruso femmina lega 6060
- 1 boccola in nylon
- 1 perno zincato D.8x52
- 2 piastrine di fissaggio in zama
- 4 viti inox da M5
- 2 tappi in nylon

FINITURE

Anodizzato: argento, bronzo, elettrocolore, elox nero.
Verniciato: Ral standard vedi tabella colori
Speciali: Oro

CONFEZIONI

50 pz per confezione



CHARACTERISTICS OPEN JOINT HINGE
Reversible type hinges designed and made with a particular fixing system. In fact, in the materials provided there are 4 special stainless steel screws; the particular shape of these screws, once the hinge is screwed on, create interferences on the door frame, considerably increasing hinge bearing capacity, which is of 80 Kg per hinge pair. In addition, the fixing plates in stainless steel furnished with, are knurling on sides to permit more fixing tightness. The results achieved are the fruit of technical tests that CASAL has conducted on all types of sections.

MATERIALS AND COMPONENTS

- 1 pc extruded aluminium male hinge alloy 6060
- 1 pc extruded aluminium female hinge alloy 6060
- 1 nylon bush
- 1 galvanized pin D.8x52
- 2 fixing plates in zama
- 4 M5 screws inox aisi 304
- 2 nylon caps

FINISHES

Anodized: silver, bronze, electro colour, black elox
Ral: standard, colour chart
Specials: gold

PACKS

50 pcs in each pack



CARACTERISTIQUES PAUMELLE A JOINT OUVERT
Paumelle de type réversible, étudiée et réalisée avec un trou de fixation spécial. En effet, les accessoires fournis incluent 4 vis spéciales inox; leur forme particulière permet, une fois la paumelle vissée, de modifier la caisse de la menuiserie et d'augmenter considérablement la charge maximale de la paumelle, qui est de 80 Kg par paire de paumelle. Paumelle dotée de deux plaques en acier inox zinguées sur les côtés pour permettre une fixation plus résistante. Les résultats obtenus sont le fruit d'essais techniques effectués par CASAL sur tous les types de profils.

MATERIAUX ET PIECES

- 1 Paumelle en aluminium extrudé male alliage 6060
- 1 paumelle en aluminium extrudé femelle alliage 6060
- 1 douille en nylon
- 1 axe zingué D.8x52
- 2 plaques de fixation in zama
- 4 vis M5 inox aisi 304
- 2 bouchons en nylon

FINITIONS

Anodisées: argent, bronze, couleur électrique, elox noir
Ral: standard, tableau des couleurs
Speciale: or

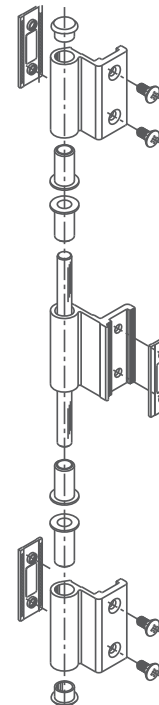
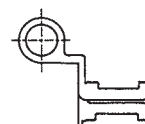
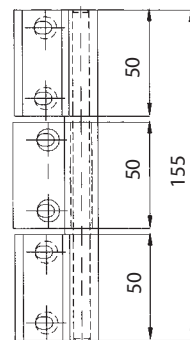
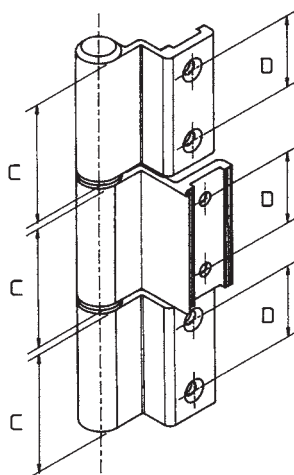
EMBALLAGES

50 pièces par boîte

Cerniere per Giunto Aperto



160/2/3




ART.	Descrizione profilati/Description of sections/Type of profilé	Quote/Dimensions/Cotes	
		C	D
160/1	ALL.CO 5 COMPLANARE/ COPLANAR / COPLANAIRE	50	30
160/2	DOMAL STOPPER - EXPORT 40/50	50	30
160/3	ALFETTA	50	30
160/5	NC INTERNATIONAL	50	30
160/6	ERRE 40/50	50	30
160/7	ALL.CO 1	45	30
160/8	ERRE 4 3^ANTA	50	30
160/9	NC NUOVO SORMONTO	50	30
160/10	EKIP 40 COMPLANARE	50	30
160/11	NC INTERNATIONAL 3^ANTA	50	30
160/12	DOMAL STOPPER 3^ANTA	50	30
160/13	ALL.CO 5 SORMONTO	50	30
160/14	ALL.CO 5 SORMONTO 3^ANTA	50	30
160/15	EURO STOPPER	50	30
160/16	EKIP 40 3^ANTA	50	30
160/17	EKIP 40 SORMONTO	45	30
160/18	DOMAL 40 ARROTONDATO	50	30
163/2	DOMAL STOPPER COLLO LUNGO/ LONG NECK/ COL LONG	50	30
191/1	CERNIERA PER PERSIANA EPOCAL/ HINGE FOR EPOCAL SHUTTER/ PAUMELLE POUR VOLET EPOCAL	50	30
191/2	CERN. PER PERS. EPOCAL COLLO LUNGO/ LONG NECK HINGE FOR EPOCAL SHUTTER / PAUMELLE POUR VOLET EPOCAL COL LONG	50	30
194	P 4 SORMONTO	50	30
195	P 4 SORMONTO 3^ANTA	50	30
199/W3	ALL.CO WOOD 3^ANTA	45	30
160/20	REAL	50	30
160/2/3	DOMAL STOPPER 3 ALI/WINGS / LAMES	50	30
160/15/3	EURO STOP 3 ALI/WINGS / LAMES	50	30
160/6/3	R4 CON GRANI/ WITH DOWELS / AVEC BOULONS 3 ALI/ WINGS/ LAMES	50	30
160/5/3	NC INTERNATIONAL 3 ALI/ WINGS / LAMES	50	30
160/12/3	DOMAL STOP 3^ANTA 3 ALI/ WINGS/ LAMES	50	30
160/13/3	ALL.CO 5 SORM 3 ALI/ WINGS / LAMES	50	30

 **CARATTERISTICHE CERNIERE A GIUNTO APERTO**
Cerniera di tipo reversibile studiata e realizzata con una particolare forma di fissaggio. Nel materiale in dotazione, infatti, ci sono 4 viti inox, la cui particolare forma consente, una volta avvitata la cerniera, di creare delle interferenze sulla cassa del serramento, aumentando in modo notevole le capacità di portata della cerniera, che è di 120 Kg per coppia cerniera. Le piastrine in acciaio inox in dotazione, inoltre, sono zigrinate sui lati per consentire maggiore tenuta nel fissaggio. I risultati ottenuti sono frutto delle prove tecniche fatte dalla CASAL su ogni tipo di profilo.

MATERIALI E COMPONENTI
2 pz. Cerniera in alluminio estruso maschio lega 6060
1 pz. Cerniera in alluminio estruso femmina lega 6060
3 boccole aperte L.22 in nylon per 3 Ali
1 boccia chiusa L.26 in nylon per 3 Ali
2 tappi in nylon D.11 per cerniere
1 perno zincato d. 8xL.128
3 piastrine di fissaggio inox
6 viti TGS+5x10 inox

FINITURE
Anodizzato: argento, bronzo, elettrocolore, elox nero.
Verniciato: Ral standard vedi tabella colori
Speciali: Oro


CONFEZIONI
50 pz per confezione

 **CHARACTERISTICS OPEN JOINT HINGE**
Reversible type hinges designed and made with a particular fixing system. In fact, in the materials provided there are 4 special stainless steel screws; the particular shape of these screws, once the hinge is screwed on, create interferences on the door frame, considerably increasing hinge bearing capacity, which is of 120 Kg per hinge pair. In addition, the fixing plates in stainless steel furnished with, are knurling on sides to permit more fixing tightness. The results achieved are the fruit of technical tests that CASAL has conducted on all types of sections.

MATERIALS AND COMPONENTS
2 pc extruded aluminium male hinge alloy 6060
1 pc extruded aluminium female hinge alloy 6060
3 nylon open bushes L.22 for 3 wings
1 nylon closed bush L.26 for 3 wings
2 nylon caps D.11 for hinges
1 galvanized pin d. 8xL128
3 fixing plates inox
6 Mx10 stainless steel

FINISHES
Anodized: silver, bronze, electro colour, black elox
Ral: standard, colour chart
Special: gold

PACKS
50 pcs in each pack

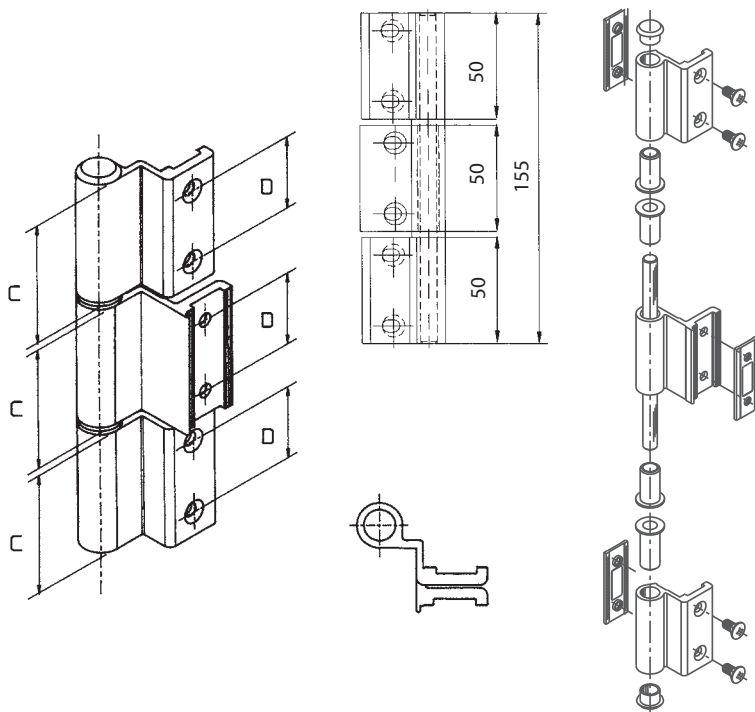
 **CARACTERISTIQUES PAUMELLE A JOINT OUVERT**
Paumelle de type réversible, étudiée et réalisée avec un trou de fixation spécial. En effet, les accessoires fournis incluent 4 vis spéciales inox; leur forme particulière permet, une fois la paumelle vissée, de modifier la caisse de la menuiserie et d'augmenter considérablement la charge maximale de la paumelle, qui est de 120 Kg par paire de paumelle. Paumelle dotée de deux plaques en acier inox zinguées sur les côtés pour permettre une fixation plus résistante. Les résultats obtenus sont le fruit d'essais techniques effectués par CASAL sur tous les types de profils.

MATERIAUX ET PIECES
2 Paumelle en aluminium extrudé male alliage 6060
1 paumelle en aluminium extrudé femelle alliage 6060
3 douilles ouvertes L.22 en nylon pour 3 Ailes
1 douille fermée L.26 en nylon pour 3 Ailes
2 bouchons en nylon pour paumelles
1 axe zingué d. 8xL.128
3 plaques de fixation inox aisi 430
6 boulons Mx10 inox

FINITIONS
Anodisées: argent, bronze, couleur électrique, elox noir
Ral: standard, tableau des couleurs
Spéciale: or

EMBALLAGES
50 pièces par boîte

Cerniere per Giunto Aperto



160/15/3

ART.	Descrizione profilati/Description of sections/Type of profilé	Quote/Dimensions/Cotes	
		C	D
160/1	ALL.CO 5 COMPLANARE/ COPLANAR/ COPLANAIRE	50	30
160/2	DOMAL STOPPER - EXPORT 40/50	50	30
160/3	ALFETTA	50	30
160/5	NC INTERNATIONAL	50	30
160/6	ERRE 40/50	50	30
160/7	ALL.CO 1	45	30
160/8	ERRE 4 3^ANTA	50	30
160/9	NC NUOVO SORMONTO	50	30
160/10	EKIP 40 COMPLANARE	50	30
160/11	NC INTERNATIONAL 3^ANTA	50	30
160/12	DOMAL STOPPER 3^ANTA	50	30
160/13	ALL.CO 5 SORMONTO	50	30
160/14	ALL.CO 5 SORMONTO 3^ANTA	50	30
160/15	EURO STOPPER	50	30
160/16	EKIP 40 3^ANTA	50	30
160/17	EKIP 40 SORMONTO	45	30
160/18	DOMAL 40 ARROTONDATO	50	30
163/2	DOMAL STOPPER COLLO LUNGO/ LONG NECK/ COL LONG	50	30
191/1	CERNIERA PER PERSIANA EPOCAL/ HINGE FOR EPOCAL SHUTTER/ PAUMELLE POUR VOLET EPOCAL	50	30
191/2	CERN. PER PERS. EPOCAL COLLO LUNGO/ LONG NECK HINGE FOR EPOCAL SHUTTER / PAUMELLE POUR VOLET EPOCAL COL LONG	50	30
194	P 4 SORMONTO	50	30
195	P 4 SORMONTO 3^ANTA	50	30
199/W3	ALL.CO WOOD 3^ANTA	45	30
160/20	REAL	50	30
160/2/3	DOMAL STOPPER 3 ALI/WINGS/ LAMES	50	30
160/15/3	EURO STOP 3 ALI/WINGS/ LAMES	50	30
160/6/3	R4 CON GRANI/ WITH DOWELS/ AVEC BOULONS 3 ALI/ WINGS/ LAMES	50	30
160/5/3	NC INTERNATIONAL 3 ALI/ WINGS/ LAMES	50	30
160/12/3	DOMAL STOP 3^ANTA 3 ALI/ WINGS/ LAMES	50	30
160/13/3	ALL.CO 5 SORM 3 ALI/ WINGS/ LAMES	50	30



CARATTERISTICHE CERNIERE A GIUNTO APERTO
Cerniera di tipo reversibile studiata e realizzata con una particolare forma di fissaggio. Nel materiale in dotazione, infatti, ci sono 4 viti inox, la cui particolare forma consente, una volta avvitata la cerniera, di creare delle interferenze sulla cassa del serramento, aumentando in modo notevole le capacità di portata della cerniera, che è di 120 Kg per coppia cerniera. Le piastrine in acciaio inox in dotazione, inoltre, sono zigrinate sui lati per consentire maggiore tenuta nel fissaggio. I risultati ottenuti sono frutto delle prove tecniche fatte dalla CASAL su ogni tipo di profilo.

MATERIALI E COMPONENTI

2 pz. Cerniera in alluminio estruso maschio lega 6060
1 pz. Cerniera in alluminio estruso femmina lega 6060
3 boccole aperte L.22 in nylon per 3 Ali
1 boccola chiusa L.26 in nylon per 3 Ali
2 tappi in nylon D.11 per cerniere
1 perno zincato d. 8xL.128
3 piastrine di fissaggio inox
6 viti TGS+5x10 inox

FINITURE

Anodizzato: argento, bronzo, elettrocolore, elox nero.
Verniciato: Ral standard vedi tabella colori
Speciali: Oro

CONFEZIONI

50 pz per confezione



CHARACTERISTICS OPEN JOINT HINGE
Reversible type hinges designed and made with a particular fixing system. In fact, in the materials provided there are 4 special stainless steel screws; the particular shape of these screws, once the hinge is screwed on, create interferences on the door frame, considerably increasing hinge bearing capacity, which is of 120 Kg per hinge pair. In addition, the fixing plates in stainless steel furnished with, are knurling on sides to permit more fixing tightness. The results achieved are the fruit of technical tests that CASAL has conducted on all types of sections.

MATERIALS AND COMPONENTS

2 pc extruded aluminium male hinge alloy 6060
1 pc extruded aluminium female hinge alloy 6060
3 nylon open bushes L.22 for 3 wings
1 nylon closed bush L.26 for 3 wings
2 nylon caps D.11 for hinges
1 galvanized pin d. 8xL.128
3 fixing plates inox
6 Mx10 stainless steel

FINISHES

Anodized: silver, bronze, electro colour, black elox
Ral: standard, colour chart
Specials: gold

PACKS

50 pcs in each pack



CARACTERISTIQUES PAUMELLE A JOINT OUVERT
Paumelle de type réversible, étudiée et réalisée avec un trou de fixation spécial. En effet, les accessoires fournis incluent 4 vis spéciales inox; leur forme particulière permet, une fois la paumelle vissée, de modifier la caisse de la menuiserie et d'augmenter considérablement la charge maximale de la paumelle, qui est de 120 Kg par paire de paumelle. Paumelle dotée de deux plaques en acier inox zinguées sur les côtés pour permettre une fixation plus résistante. Les résultats obtenus sont le fruit d'essais techniques effectués par CASAL sur tous les types de profils.

MATERIAUX ET PIECES

2 Paumelle en aluminium extrudé male alliage 6060
1 paumelle en aluminium extrudé femelle alliage 6060
3 douilles ouvertes L.22 en nylon pour 3 Ailes
1 douille fermée L.26 en nylon pour 3 Ailes
2 bouchons en nylon pour paumelles
1 axe zincé d. 8xL.128
3 plaques de fixation inox aisi 430
6 boulons Mx10 inox

FINITIONS

Anodisées: argent, bronze, couleur électrique, elox noir
Ral: standard, tableau des couleurs
Speciale: or

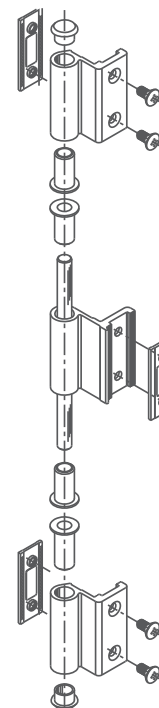
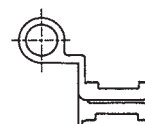
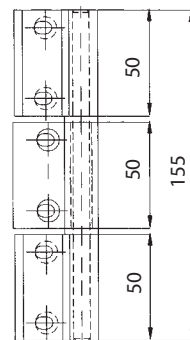
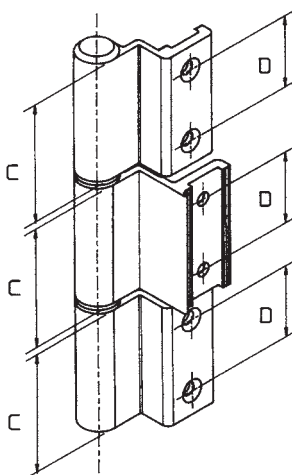
EMBALLAGES

50 pièces par boîte

Cerniere per Giunto Aperto



160/6/3




ART.	Descrizione profilati/Description of sections/Type of profilé	Quote/Dimensions/Cotes	
		C	D
160/1	ALL.CO 5 COMPLANARE/ COPLANAR / COPLANAIRE	50	30
160/2	DOMAL STOPPER - EXPORT 40/50	50	30
160/3	ALFETTA	50	30
160/5	NC INTERNATIONAL	50	30
160/6	ERRE 40/50	50	30
160/7	ALL.CO 1	45	30
160/8	ERRE 4 3^ANTA	50	30
160/9	NC NUOVO SORMONTO	50	30
160/10	EKIP 40 COMPLANARE	50	30
160/11	NC INTERNATIONAL 3^ANTA	50	30
160/12	DOMAL STOPPER 3^ANTA	50	30
160/13	ALL.CO 5 SORMONTO	50	30
160/14	ALL.CO 5 SORMONTO 3^ANTA	50	30
160/15	EURO STOPPER	50	30
160/16	EKIP 40 3^ANTA	50	30
160/17	EKIP 40 SORMONTO	45	30
160/18	DOMAL 40 ARROTONDATO	50	30
163/2	DOMAL STOPPER COLLO LUNGO/ LONG NECK/ COL LONG	50	30
191/1	CERNIERA PER PERSIANA EPOCAL/ HINGE FOR EPOCAL SHUTTER/ PAUMELLE POUR VOLET EPOCAL	50	30
191/2	CERN. PER PERS. EPOCAL COLLO LUNGO/ LONG NECK HINGE FOR EPOCAL SHUTTER / PAUMELLE POUR VOLET EPOCAL COL LONG	50	30
194	P 4 SORMONTO	50	30
195	P 4 SORMONTO 3^ANTA	50	30
199/W3	ALL.CO WOOD 3^ANTA	45	30
160/20	REAL	50	30
160/2/3	DOMAL STOPPER 3 ALI/WINGS / LAMES	50	30
160/15/3	EURO STOP 3 ALI/WINGS / LAMES	50	30
160/6/3	R4 CON GRANI/ WITH DOWELS/ AVEC BOULONS 3 ALI/ WINGS/ LAMES	50	30
160/5/3	NC INTERNATIONAL 3 ALI/ WINGS / LAMES	50	30
160/12/3	DOMAL STOP 3^ANTA 3 ALI/ WINGS/ LAMES	50	30
160/13/3	ALL.CO 5 SORM 3 ALI/ WINGS / LAMES	50	30

 **CARATTERISTICHE CERNIERE A GIUNTO APERTO**
Cerniera di tipo reversibile studiata e realizzata con una particolare forma di fissaggio. Nel materiale in dotazione, infatti, ci sono 4 viti inox, la cui particolare forma consente, una volta avvitata la cerniera, di creare delle interferenze sulla cassa del serramento, aumentando in modo notevole le capacità di portata della cerniera, che è di 120 Kg per coppia cerniera. Le piastrine in acciaio inox in dotazione, inoltre, sono zigrinate sui lati per consentire maggiore tenuta nel fissaggio. I risultati ottenuti sono frutto delle prove tecniche fatte dalla CASAL su ogni tipo di profilo.

MATERIALI E COMPONENTI
2 pz. Cerniera in alluminio estruso maschio lega 6060
1 pz. Cerniera in alluminio estruso femmina lega 6060
3 boccole aperte L.22 in nylon per 3 Ali
1 boccia chiusa L.26 in nylon per 3 Ali
2 tappi in nylon D.11 per cerniere
1 perno zincato d. 8xL.128
3 piastrine di fissaggio inox
6 viti TGS+5x10 inox a coppa

FINITURE
Anodizzato: argento, bronzo, elettrocolore, elox nero.
Verniciato: Ral standard vedi tabella colori
Speciali: Oro


CONFEZIONI
50 pz per confezione

 **CHARACTERISTICS OPEN JOINT HINGE**
Reversible type hinges designed and made with a particular fixing system. In fact, in the materials provided there are 4 special stainless steel screws; the particular shape of these screws, once the hinge is screwed on, create interferences on the door frame, considerably increasing hinge bearing capacity, which is of 120 Kg per hinge pair. In addition, the fixing plates in stainless steel furnished with, are knurling on sides to permit more fixing tightness. The results achieved are the fruit of technical tests that CASAL has conducted on all types of sections.

MATERIALS AND COMPONENTS
2 pc extruded aluminium male hinge alloy 6060
1 pc extruded aluminium female hinge alloy 6060
3 nylon open bushes L.22 for 3 wings
1 nylon closed bush L.26 for 3 wings
2 nylon caps D.11 for hinges
1 galvanized pin d. 8xL.128
3 fixing plates inox
6 Mx10 stainless steel dowels

FINISHES
Anodized: silver, bronze, electro colour, black elox
Ral: standard, colour chart
Special: gold

PACKS
50 pcs in each pack

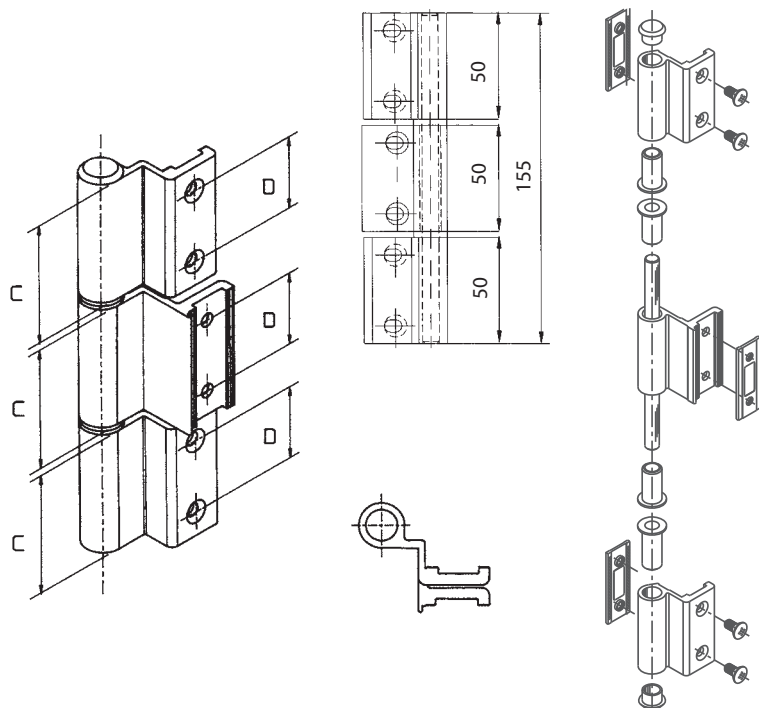
 **CARACTERISTIQUES PAUMELLE A JOINT OUVERT**
Paumelle de type réversible, étudiée et réalisée avec un trou de fixation spécial. En effet, les accessoires fournis incluent 4 vis spéciales inox; leur forme particulière permet, une fois la paumelle vissée, de modifier la caisse de la menuiserie et d'augmenter considérablement la charge maximale de la paumelle, qui est de 120 Kg par paire de paumelle. Paumelle dotée de deux plaques en acier inox zinguées sur les côtés pour permettre une fixation plus résistante. Les résultats obtenus sont le fruit d'essais techniques effectués par CASAL sur tous les types de profils.

MATERIAUX ET PIECES
2 Paumelle en aluminium extrudé male alliage 6060
1 paumelle en aluminium extrudé femelle alliage 6060
3 douilles ouvertes L.22 en nylon pour 3 Ailes
1 douille fermée L.26 en nylon pour 3 Ailes
2 bouchons en nylon pour paumelles
1 axe zingué d. 8xL.128
3 plaques de fixation inox aisi 430
6 boulons Mx10 inox à pointe

FINITIONS
Anodisées: argent, bronze, couleur électrique, elox noir
Ral: standard, tableau des couleurs
Spéciale: or

EMBALLAGES
50 pièces par boîte

Cerniere per Giunto Aperto



160/5/3

ART.	Descrizione profilati/Description of sections/Type of profilé	Quote/Dimensions/Cotes	
		C	D
160/1	ALL.CO 5 COMPLANARE/ COPLANAR/ COPLANAIRE	50	30
160/2	DOMAL STOPPER - EXPORT 40/50	50	30
160/3	ALFETTA	50	30
160/5	NC INTERNATIONAL	50	30
160/6	ERRE 40/50	50	30
160/7	ALL.CO 1	45	30
160/8	ERRE 4 3^ANTA	50	30
160/9	NC NUOVO SORMONTO	50	30
160/10	EKIP 40 COMPLANARE	50	30
160/11	NC INTERNATIONAL 3^ANTA	50	30
160/12	DOMAL STOPPER 3^ANTA	50	30
160/13	ALL.CO 5 SORMONTO	50	30
160/14	ALL.CO 5 SORMONTO 3^ANTA	50	30
160/15	EURO STOPPER	50	30
160/16	EKIP 40 3^ANTA	50	30
160/17	EKIP 40 SORMONTO	45	30
160/18	DOMAL 40 ARROTONDATO	50	30
163/2	DOMAL STOPPER COLLO LUNGO/ LONG NECK/ COL LONG	50	30
191/1	CERNIERA PER PERSIANA EPOCAL/ HINGE FOR EPOCAL SHUTTER/ PAUMELLE POUR VOLET EPOCAL	50	30
191/2	CERN. PER PERS. EPOCAL COLLO LUNGO/ LONG NECK HINGE FOR EPOCAL SHUTTER / PAUMELLE POUR VOLET EPOCAL COL LONG	50	30
194	P 4 SORMONTO	50	30
195	P 4 SORMONTO 3^ANTA	50	30
199/W3	ALL.CO WOOD 3^ANTA	45	30
160/20	REAL	50	30
160/2/3	DOMAL STOPPER 3 ALI/WINGS/ LAMES	50	30
160/15/3	EURO STOP 3 ALI/WINGS/ LAMES	50	30
160/6/3	R4 CON GRANI/ WITH DOWELS/ AVEC BOULONS 3 ALI/ WINGS/ LAMES	50	30
160/5/3	NC INTERNATIONAL 3 ALI/ WINGS/ LAMES	50	30
160/12/3	DOMAL STOP 3^ANTA 3 ALI/ WINGS/ LAMES	50	30
160/13/3	ALL.CO 5 SORM 3 ALI/ WINGS/ LAMES	50	30



CARATTERISTICHE CERNIERE A GIUNTO APERTO
Cerniera di tipo reversibile studiata e realizzata con una particolare forma di fissaggio. Nel materiale in dotazione, infatti, ci sono 4 viti inox, la cui particolare forma consente, una volta avvitata la cerniera, di creare delle interferenze sulla cassa del serramento, aumentando in modo notevole le capacità di portata della cerniera, che è di 120 Kg per coppia cerniera. Le piastrine in acciaio inox in dotazione, inoltre, sono zigrinate sui lati per consentire maggiore tenuta nel fissaggio. I risultati ottenuti sono frutto delle prove tecniche fatte dalla CASAL su ogni tipo di profilo.

MATERIALI E COMPONENTI

2 pz. Cerniera in alluminio estruso maschio lega 6060
1 pz. Cerniera in alluminio estruso femmina lega 6060
3 boccole aperte L.22 in nylon per 3 Ali
1 boccola chiusa L.26 in nylon per 3 Ali
2 tappi in nylon D.11 per cerniere
1 perno zincato d. 8xL.128
3 piastrine di fissaggio inox
6 viti TGS+5x10 inox

FINITURE

Anodizzato: argento, bronzo, elettrocolore, elox nero.
Verniciato: Ral standard vedi tabella colori
Speciali: Oro

CONFEZIONI

50 pz per confezione



CHARACTERISTICS OPEN JOINT HINGE

Reversible type hinges designed and made with a particular fixing system. In fact, in the materials provided there are 4 special stainless steel screws; the particular shape of these screws, once the hinge is screwed on, create interferences on the door frame, considerably increasing hinge bearing capacity, which is of 120 Kg per hinge pair. In addition, the fixing plates in stainless steel furnished with, are knurling on sides to permit more fixing tightness. The results achieved are the fruit of technical tests that CASAL has conducted on all types of sections.

MATERIALS AND COMPONENTS

2 pc extruded aluminium male hinge alloy 6060
1 pc extruded aluminium female hinge alloy 6060
3 nylon open bushes L.22 for 3 wings
1 nylon closed bush L.26 for 3 wings
2 nylon caps D.11 for hinges
1 galvanized pin d. 8xL.128
3 fixing plates inox
6 Mx10 stainless steel

FINISHES

Anodized: silver, bronze, electro colour, black elox
Ral: standard, colour chart
Specials: gold

PACKS

50 pcs in each pack



CARACTERISTIQUES PAUMELLE A JOINT OUVERT

Paumelle de type réversible, étudiée et réalisée avec un trou de fixation spécial. En effet, les accessoires fournis incluent 4 vis spéciales inox; leur forme particulière permet, une fois la paumelle vissée, de modifier la caisse de la menuiserie et d'augmenter considérablement la charge maximale de la paumelle, qui est de 120 Kg par paire de paumelle. Paumelle dotée de deux plaques en acier inox zinguées sur les côtés pour permettre une fixation plus résistante. Les résultats obtenus sont le fruit d'essais techniques effectués par CASAL sur tous les types de profils.

MATERIAUX ET PIECES

2 Paumelle en aluminium extrudé male alliage 6060
1 paumelle en aluminium extrudé femelle alliage 6060
3 douilles ouvertes L.22 en nylon pour 3 Ailes
1 douille fermée L.26 en nylon pour 3 Ailes
2 bouchons en nylon pour paumelles
1 axe zincé d. 8xL.128
3 plaques de fixation inox aisi 430
6 boulons Mx10 inox

FINITIONS

Anodisées: argent, bronze, couleur électrique, elox noir
Ral: standard, tableau des couleurs
Speciale: or

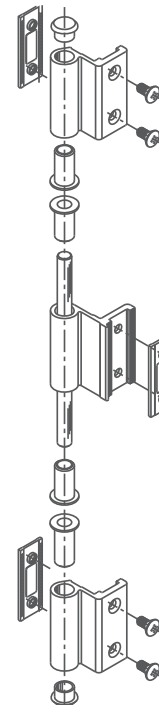
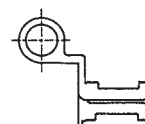
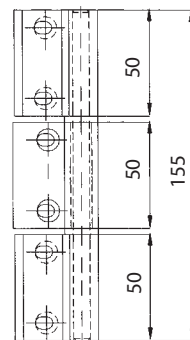
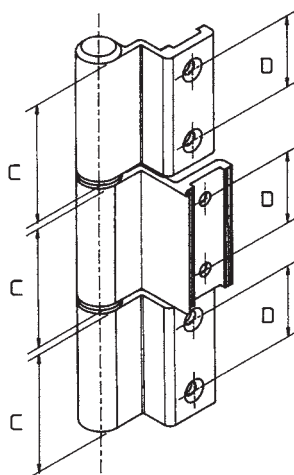
EMBALLAGES

50 pièces par boîte

Cerniere per Giunto Aperto



160/12/3




ART.	Descrizione profilati/Description of sections/Type of profilé	Quote/Dimensions/Cotes	
		C	D
160/1	ALL.CO 5 COMPLANARE/ COPLANAR / COPLANAIRE	50	30
160/2	DOMAL STOPPER - EXPORT 40/50	50	30
160/3	ALFETTA	50	30
160/5	NC INTERNATIONAL	50	30
160/6	ERRE 40/50	50	30
160/7	ALL.CO 1	45	30
160/8	ERRE 4 3^ANTA	50	30
160/9	NC NUOVO SORMONTO	50	30
160/10	EKIP 40 COMPLANARE	50	30
160/11	NC INTERNATIONAL 3^ANTA	50	30
160/12	DOMAL STOPPER 3^ANTA	50	30
160/13	ALL.CO 5 SORMONTO	50	30
160/14	ALL.CO 5 SORMONTO 3^ANTA	50	30
160/15	EURO STOPPER	50	30
160/16	EKIP 40 3^ANTA	50	30
160/17	EKIP 40 SORMONTO	45	30
160/18	DOMAL 40 ARROTONDATO	50	30
163/2	DOMAL STOPPER COLLO LUNGO/ LONG NECK/ COL LONG	50	30
191/1	CERNIERA PER PERSIANA EPOCAL/ HINGE FOR EPOCAL SHUTTER/ PAUMELLE POUR VOLET EPOCAL	50	30
191/2	CERN. PER PERS. EPOCAL COLLO LUNGO/ LONG NECK HINGE FOR EPOCAL SHUTTER / PAUMELLE POUR VOLET EPOCAL COL LONG	50	30
194	P 4 SORMONTO	50	30
195	P 4 SORMONTO 3^ANTA	50	30
199/W3	ALL.CO WOOD 3^ANTA	45	30
160/20	REAL	50	30
160/2/3	DOMAL STOPPER 3 ALI/WINGS / LAMES	50	30
160/15/3	EURO STOP 3 ALI/WINGS / LAMES	50	30
160/6/3	R4 CON GRANI/ WITH DOWELS / AVEC BOULONS 3 ALI/ WINGS/ LAMES	50	30
160/5/3	NC INTERNATIONAL 3 ALI/ WINGS / LAMES	50	30
160/12/3	DOMAL STOP 3^ANTA 3 ALI/ WINGS/ LAMES	50	30
160/13/3	ALL.CO 5 SORM 3 ALI/ WINGS / LAMES	50	30

 **CARATTERISTICHE CERNIERE A GIUNTO APERTO**
Cerniera di tipo reversibile studiata e realizzata con una particolare forma di fissaggio. Nel materiale in dotazione, infatti, ci sono 4 viti inox, la cui particolare forma consente, una volta avvitata la cerniera, di creare delle interferenze sulla cassa del serramento, aumentando in modo notevole le capacità di portata della cerniera, che è di 120 Kg per coppia cerniera. Le piastrine in acciaio inox in dotazione, inoltre, sono zigrinate sui lati per consentire maggiore tenuta nel fissaggio. I risultati ottenuti sono frutto delle prove tecniche fatte dalla CASAL su ogni tipo di profilo.

MATERIALI E COMPONENTI
2 pz. Cerniera in alluminio estruso maschio lega 6060
1 pz. Cerniera in alluminio estruso femmina lega 6060
3 boccole aperte L.22 in nylon per 3 Ali
1 boccia chiusa L.26 in nylon per 3 Ali
2 tappi in nylon D.11 per cerniere
1 perno zincato d. 8xL.128
3 piastrine di fissaggio inox
6 viti TG5+5x10 inox a coppa

FINITURE
Anodizzato: argento, bronzo, elettrocolore, elox nero.
Verniciato: Ral standard vedi tabella colori
Speciali: Oro


CONFEZIONI
50 pz per confezione

 **CHARACTERISTICS OPEN JOINT HINGE**
Reversible type hinges designed and made with a particular fixing system. In fact, in the materials provided there are 4 special stainless steel screws; the particular shape of these screws, once the hinge is screwed on, create interferences on the door frame, considerably increasing hinge bearing capacity, which is of 120 Kg per hinge pair. In addition, the fixing plates in stainless steel furnished with, are knurling on sides to permit more fixing tightness. The results achieved are the fruit of technical tests that CASAL has conducted on all types of sections.

MATERIALS AND COMPONENTS
2 pc extruded aluminium male hinge alloy 6060
1 pc extruded aluminium female hinge alloy 6060
3 nylon open bushes L.22 for 3 wings
1 nylon closed bush L.26 for 3 wings
2 nylon caps D.11 for hinges
1 galvanized pin d. 8xL128
3 fixing plates inox
6 Mx10 stainless steel dowels

FINISHES
Anodized: silver, bronze, electro colour, black elox
Ral: standard, colour chart
Special: gold

PACKS
50 pcs in each pack

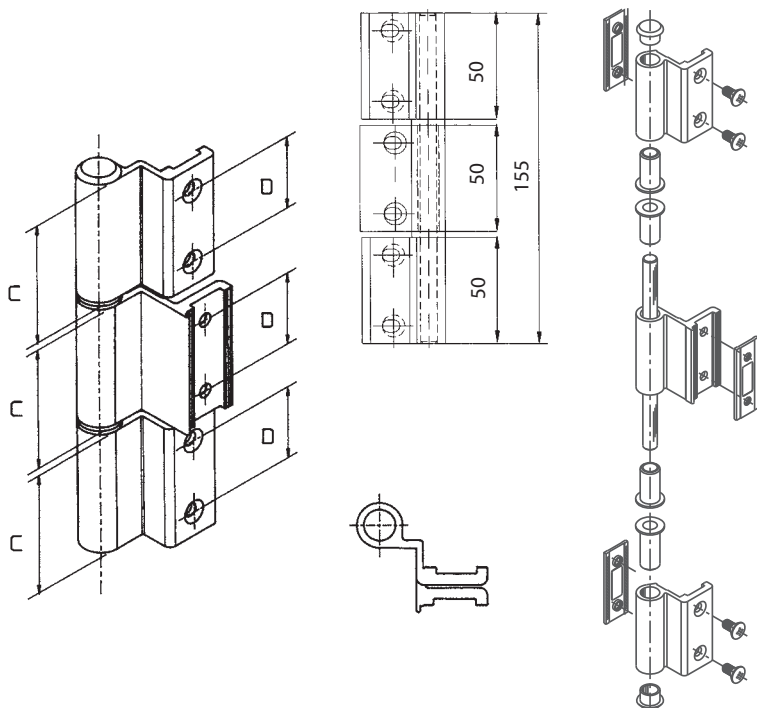
 **CARACTERISTIQUES PAUMELLE A JOINT OUVERT**
Paumelle de type réversible, étudiée et réalisée avec un trou de fixation spécial. En effet, les accessoires fournis incluent 4 vis spéciales inox; leur forme particulière permet, une fois la paumelle vissée, de modifier la caisse de la menuiserie et d'augmenter considérablement la charge maximale de la paumelle, qui est de 120 Kg par paire de paumelle. Paumelle dotée de deux plaques en acier inox zinguées sur les côtés pour permettre une fixation plus résistante. Les résultats obtenus sont le fruit d'essais techniques effectués par CASAL sur tous les types de profils.

MATERIAUX ET PIECES
2 Paumelle en aluminium extrudé male alliage 6060
1 paumelle en aluminium extrudé femelle alliage 6060
3 douilles ouvertes L.22 en nylon pour 3 Ailes
1 douille fermée L.26 en nylon pour 3 Ailes
2 bouchons en nylon pour paumelles
1 axe zingué d. 8xL.128
3 plaques de fixation inox aisi 430
6 boulons Mx10 inox à pointe

FINITIONS
Anodisées: argent, bronze, couleur électrique, elox noir
Ral: standard, tableau des couleurs
Spéciale: or

EMBALLAGES
50 pièces par boîte

Cerniere per Giunto Aperto



160/13/3

ART.	Descrizione profilati/Description of sections/Type of profilé	Quote/Dimensions/Cotes	
		C	D
160/1	ALL.CO 5 COMPLANARE/ COPLANAR/ COPLANAIRE	50	30
160/2	DOMAL STOPPER - EXPORT 40/50	50	30
160/3	ALFETTA	50	30
160/5	NC INTERNATIONAL	50	30
160/6	ERRE 40/50	50	30
160/7	ALL.CO 1	45	30
160/8	ERRE 4 3^ANTA	50	30
160/9	NC NUOVO SORMONTO	50	30
160/10	EKIP 40 COMPLANARE	50	30
160/11	NC INTERNATIONAL 3^ANTA	50	30
160/12	DOMAL STOPPER 3^ANTA	50	30
160/13	ALL.CO 5 SORMONTO	50	30
160/14	ALL.CO 5 SORMONTO 3^ANTA	50	30
160/15	EURO STOPPER	50	30
160/16	EKIP 40 3^ANTA	50	30
160/17	EKIP 40 SORMONTO	45	30
160/18	DOMAL 40 ARROTONDATO	50	30
163/2	DOMAL STOPPER COLLO LUNGO/ LONG NECK/ COL LONG	50	30
191/1	CERNIERA PER PERSIANA EPOCAL/ HINGE FOR EPOCAL SHUTTER/ PAUMELLE POUR VOLET EPOCAL	50	30
191/2	CERN. PER PERS. EPOCAL COLLO LUNGO/ LONG NECK HINGE FOR EPOCAL SHUTTER / PAUMELLE POUR VOLET EPOCAL COL LONG	50	30
194	P 4 SORMONTO	50	30
195	P 4 SORMONTO 3^ANTA	50	30
199/W3	ALL.CO WOOD 3^ANTA	45	30
160/20	REAL	50	30
160/2/3	DOMAL STOPPER 3 ALI/WINGS / LAMES	50	30
160/15/3	EURO STOP 3 ALI/WINGS / LAMES	50	30
160/6/3	R4 CON GRANI/ WITH DOWELS/ AVEC BOULONS 3 ALI/ WINGS/ LAMES	50	30
160/5/3	NC INTERNATIONAL 3 ALI/ WINGS / LAMES	50	30
160/12/3	DOMAL STOP 3^ANTA 3 ALI/ WINGS/ LAMES	50	30
160/13/3	ALL.CO 5 SORM 3 ALI/ WINGS / LAMES	50	30



CARATTERISTICHE CERNIERE A GIUNTO APERTO
Cerniera di tipo reversibile studiata e realizzata con una particolare forma di fissaggio. Nel materiale in dotazione, infatti, ci sono 4 viti inox, la cui particolare forma consente, una volta avvitata la cerniera, di creare delle interferenze sulla cassa del serramento, aumentando in modo notevole le capacità di portata della cerniera, che è di 120 Kg per coppia cerniera. Le piastrine in acciaio inox in dotazione, inoltre, sono zigrinate sui lati per consentire maggiore tenuta nel fissaggio. I risultati ottenuti sono frutto delle prove tecniche fatte dalla CASAL su ogni tipo di profilo.

MATERIALI E COMPONENTI

2 pz. Cerniera in alluminio estruso maschio lega 6060
1 pz. Cerniera in alluminio estruso femmina lega 6060
3 boccole aperte L.22 in nylon per 3 Ali
1 boccola chiusa L.26 in nylon per 3 Ali
2 tappi in nylon D.11 per cerniere
1 perno zincato d. 8xL.128
3 piastrine di fissaggio inox
6 viti TGS+5x10 inox

FINITURE

Anodizzato: argento, bronzo, elettrocolore, elox nero.
Verniciato: Ral standard vedi tabella colori
Speciali: Oro

CONFEZIONI

50 pz per confezione



CHARACTERISTICS OPEN JOINT HINGE
Reversible type hinges designed and made with a particular fixing system. In fact, in the materials provided there are 4 special stainless steel screws; the particular shape of these screws, once the hinge is screwed on, create interferences on the door frame, considerably increasing hinge bearing capacity, which is of 120 Kg per hinge pair. In addition, the fixing plates in stainless steel furnished with, are knurling on sides to permit more fixing tightness. The results achieved are the fruit of technical tests that CASAL has conducted on all types of sections.

MATERIALS AND COMPONENTS

2 pc extruded aluminium male hinge alloy 6060
1 pc extruded aluminium female hinge alloy 6060
3 nylon open bushes L.22 for 3 wings
1 nylon closed bush L.26 for 3 wings
2 nylon caps D.11 for hinges
1 galvanized pin d. 8xL.128
3 fixing plates inox
6 Mx10 stainless steel

FINISHES

Anodized: silver, bronze, electro colour, black elox
Ral: standard, colour chart
Specials: gold

PACKS

50 pcs in each pack



CARACTERISTIQUES PAUMELLE A JOINT OUVERT
Paumelle de type réversible, étudiée et réalisée avec un trou de fixation spécial. En effet, les accessoires fournis incluent 4 vis spéciales inox; leur forme particulière permet, une fois la paumelle vissée, de modifier la caisse de la menuiserie et d'augmenter considérablement la charge maximale de la paumelle, qui est de 120 Kg par paire de paumelle. Paumelle dotée de deux plaques en acier inox zinguées sur les côtés pour permettre une fixation plus résistante. Les résultats obtenus sont le fruit d'essais techniques effectués par CASAL sur tous les types de profils.

MATERIAUX ET PIECES

2 Paumelle en aluminium extrudé male alliage 6060
1 paumelle en aluminium extrudé femelle alliage 6060
3 douilles ouvertes L.22 en nylon pour 3 Ailes
1 douille fermée L.26 en nylon pour 3 Ailes
2 bouchons en nylon pour paumelles
1 axe zincé d. 8xL.128
3 plaques de fixation inox aisi 430
6 boulons Mx10 inox

FINITIONS

Anodisées: argent, bronze, couleur électrique, elox noir
Ral: standard, tableau des couleurs
Speciale: or

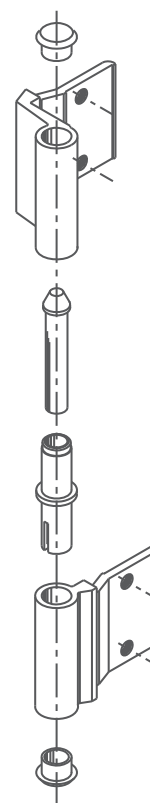
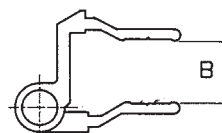
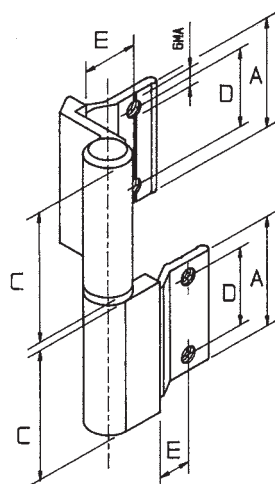
EMBALLAGES

50 pièces par boîte

Cerniere per Anta Reversibile

100/4

100/2



ART.	Descrizione profilati/Description of sections/Type of profilé	Quote/Dimensions/Cotes				
		A	B	C	D	E
100/4	NC 40 F4	42	16,5	50	30	20
100/2	NC 40/50	42	16,5	50	SF	SF
105/5	GR 9 CIPRO L.48 SF	42	19,5	48	SF	SF
105/6	GR 9 CIPRO L.48 F. 3,8	42	19,5	48	30	20
100/5	GR 9 SF	42	19,5	50	SF	SF
100/7	FB 12 SF	42	16,5	50	SF	SF
100/8	SIMPLEX 40/50	42	16,5	50	SF	SF
150/1	FB 12 FF	42	16,5	50	30	20
150/4	NC 40 FF	42	16,5	50	30	20
150/4*	NC 40 LEGGERO FF	42	16,5	50	30	20
150/5	NC 50 FF	42	16,5	50	30	20
150/9	GR 9 FF	42	19,5	50	30	20
150/10	DOMAL 4 FF	42	18,2	50	30	20
150/12	SIMPLEX 40 FF	42	16,5	50	30	20
150/13	SIMPLEX 50 FF	42	16,5	50	30	20
100/10	KAP 9 L=48 CIPRO	42	19,5	48	SF	SF

CARATTERISTICHE

Cerniere di tipo reversibile per porte e finestre ad anta, con la particolarità dell'alesatura del foro sede del perno della cerniera. La precisione del foro consente di inserire una boccia in nylon studiata e costruita per ridurre le tolleranze di accoppiamento tra i due componenti. Questo sistema permette un migliore funzionamento e una maggiore durata.

MATERIALI E COMPONENTI

1 pz. Cerniera in alluminio estruso maschio lega 6060
1 pz. Cerniera in alluminio estruso femmina lega 6060
1 boccia in nylon 6.6
2 tappi in nylon
1 perno zincato d. 8xL.52

FINITURE

Anodizzato: argento, bronzo, elettrocolore, elox nero.
Verniciato: Ral standard vedi tabella colori
Speciali: Oro

CONFEZIONI

100 pz per confezione

VARIANTI

-Le cerniere possono essere richieste anche con perno inox d. 8xL.52.
-Le cerniere sono disponibili anche nella versione a 3 ali

CHARACTERISTICS

Reversible type hinges for door and windows, their peculiarity being the boring of the hole for the hinge pin. Thanks to the precision of the hole it is possible to insert a nylon bush designed and made to reduce coupling tolerances between the two. With this system the hinge works better and last longer.

MATERIALS AND COMPONENTS

1 pc extruded aluminium male hinge alloy 6060
1 pc extruded aluminium female hinge alloy 6060
1 nylon bush 6.6
2 nylon caps
1 galvanized pin d. 8xL.52

FINISHES

Anodized: silver, bronze, electro colour, black elox
Ral: standard, colour chart
Specials: gold

PACKS

100 pcs in each pack

OPTIONAL: On request

-The hinges can be supplied with pin in stainless steel d. 8xL.52.
-Also available in 3-wings version

CARACTERISTIQUES

Paumelle de type réversible pour portes et fenêtres à battants, à alésage spécial du trou de l'axe de la paumelle. La précision de ce trou permet d'y placer une douille en nylon, étudiée et fabriquée spécialement pour réduire les jeux d'accouplement entre les deux éléments. Ce système permet un meilleur fonctionnement et une plus grande longévité.

MATERIAUX ET PIÉCES

1 Paumelle en aluminium extrudé mâle alliage 6060
1 paumelle en aluminium extrudé femelle alliage 6060
1 douille en nylon
2 bouchons en nylon
1 axe zingué d. 8xL.52

FINITIONS

Anodisées: argent, bronze, couleur électrique, elox noir
Ral: standard, tableau des couleurs
Spéciale: or

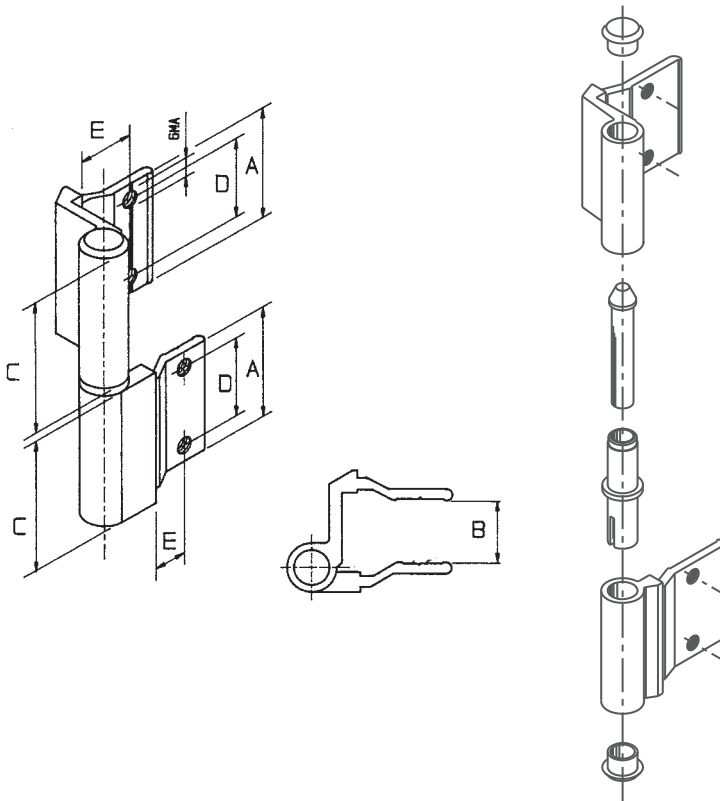
EMBALLAGES

100 pièces par boîte

SUR DEMANDE:

-Paumelle peut être demandée avec axe en acier inox d. 8xL.52
-Paumelles aussi disponibles à 3 lames

Cerniere per Anta Reversibile



100/5
105/5
105/6

100/7

ART.	Descrizione profilati/Description of sections/Type of profilé	Quote/Dimensions/Cotes				
		A	B	C	D	E
100/4	NC 40 F4	42	16,5	50	30	20
100/2	NC 40/50	42	16,5	50	SF	SF
105/5	GR 9 CIPRO L.48 SF	42	19,5	48	SF	SF
105/6	GR 9 CIPRO L.48 F. 3,8	42	19,5	48	30	20
100/5	GR 9 SF	42	19,5	50	SF	SF
100/7	FB 12 SF	42	16,5	50	SF	SF
100/8	SIMPLEX 40/50	42	16,5	50	SF	SF
150/1	FB 12 FF	42	16,5	50	30	20
150/4	NC 40 FF	42	16,5	50	30	20
150/4*	NC 40 LEGGERO FF	42	16,5	50	30	20
150/5	NC 50 FF	42	16,5	50	30	20
150/9	GR 9 FF	42	19,5	50	30	20
150/10	DOMAL 4 FF	42	18,2	50	30	20
150/12	SIMPLEX 40 FF	42	16,5	50	30	20
150/13	SIMPLEX 50 FF	42	16,5	50	30	20
100/10	KAP 9 L=48 CIPRO	42	19,5	48	SF	SF



CARATTERISTICHE

Cerniere di tipo reversibile per porte e finestre ad anta, con la particolarità dell'alesatura del foro sede del perno della cerniera. La precisione del foro consente di inserire una boccia in nylon studiata e costruita per ridurre le tolleranze di accoppiamento tra i due componenti. Questo sistema permette un migliore funzionamento e una maggiore durata.

MATERIALI E COMPONENTI

1 pz. Cerniera in alluminio estruso maschio lega 6060
1 pz. Cerniera in alluminio estruso femmina lega 6060
1 boccia in nylon 6.6
2 tappi in nylon
1 perno zincato d. 8xL.52

FINITURE

Anodizzato: argento, bronzo, elettrocolore, elox nero.
Verniciato: Ral standard vedi tabella colori
Speciali: Oro

CONFEZIONI

100 pz per confezione

VARIANTI

-Le cerniere possono essere richieste anche con perno inox d. 8xL.52.
-Le cerniere sono disponibili anche nella versione a 3 ali



CHARACTERISTICS

Reversible type hinges for door and windows, their peculiarity being the boring of the hole for the hinge pin. Thanks to the precision of the hole it is possible to insert a nylon bush designed and made to reduce coupling tolerances between the two. With this system the hinge works better and last longer.

MATERIALS AND COMPONENTS

1 pc extruded aluminium male hinge alloy 6060
1 pc extruded aluminium female hinge alloy 6060
1 nylon bush 6.6
2 nylon caps
1 galvanized pin d. 8xL.52

FINISHES

Anodized: silver, bronze, electro colour, black elox
Ral: standard, colour chart
Specials: gold

PACKS

100 pcs in each pack

OPTIONAL: On request

-The hinges can be supplied with pin in stainless steel d. 8xL.52.
-Also available in 3-wings version



CARACTERISTIQUES

Paumelle de type réversible pour portes et fenêtres à battants, à alésage spécial du trou de l'axe de la paumelle. La précision de ce trou permet d'y placer une douille en nylon, étudiée et fabriquée spécialement pour réduire les jeux d'accouplement entre les deux éléments. Ce système permet un meilleur fonctionnement et une plus grande longévité.

MATERIAUX ET PIÈCES

1 Paumelle en aluminium extrudé mâle alliage 6060
1 paumelle en aluminium extrudé femelle alliage 6060
1 douille en nylon
2 bouchons en nylon
1 axe zinqué d. 8xL.52

FINITIONS

Anodisées: argent, bronze, couleur électrique, elox noir
Ral: standard, tableau des couleurs
Spéciale: or

EMBALLAGES

100 pièces par boîte

SUR DEMANDE:

-Paumelle peut être demandée avec axe en acier inox d. 8xL.52
-Paumelles aussi disponibles à 3 lames

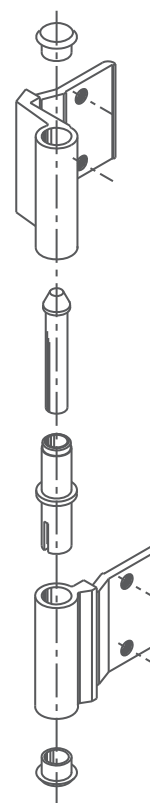
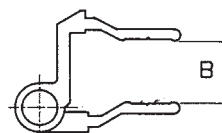
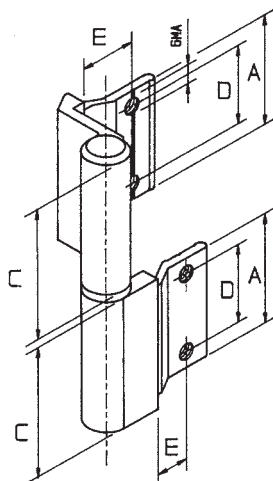
Cerniere per Anta Reversibile



100/8



150/12



ART.	Descrizione profilati/Description of sections/Type of profilé	Quote/Dimensions/Cotes				
		A	B	C	D	E
100/4	NC 40 F4	42	16,5	50	30	20
100/2	NC 40/50	42	16,5	50	SF	SF
105/5	GR 9 CIPRO L.48 SF	42	19,5	48	SF	SF
105/6	GR 9 CIPRO L.48 F. 3,8	42	19,5	48	30	20
100/5	GR 9 SF	42	19,5	50	SF	SF
100/7	FB 12 SF	42	16,5	50	SF	SF
100/8	SIMPLEX 40/50	42	16,5	50	SF	SF
150/1	FB 12 FF	42	16,5	50	30	20
150/4	NC 40 FF	42	16,5	50	30	20
150/4*	NC 40 LEGGERO FF	42	16,5	50	30	20
150/5	NC 50 FF	42	16,5	50	30	20
150/9	GR 9 FF	42	19,5	50	30	20
150/10	DOMAL 4 FF	42	18,2	50	30	20
150/12	SIMPLEX 40 FF	42	16,5	50	30	20
150/13	SIMPLEX 50 FF	42	16,5	50	30	20
100/10	KAP 9 L=48 CIPRO	42	19,5	48	SF	SF

CARATTERISTICHE

Cerniere di tipo reversibile per porte e finestre ad anta, con la particolarità dell'alesatura del foro sede del perno della cerniera. La precisione del foro consente di inserire una boccola in nylon studiata e costruita per ridurre le tolleranze di accoppiamento tra i due componenti. Questo sistema permette un migliore funzionamento e una maggiore durata.

MATERIALI E COMPONENTI

1 pz. Cerniera in alluminio estruso maschio lega 6060
1 pz. Cerniera in alluminio estruso femmina lega 6060
1 boccola in nylon 6.6
2 tappi in nylon
1 perno zincato d. 8xL.52

FINITURE

Anodizzato: argento, bronzo, elettrocolore, elox nero.
Verniciato: Ral standard vedi tabella colori
Speciali: Oro

CONFEZIONI

100 pz per confezione

VARIANTI

-Le cerniere possono essere richieste anche con perno inox d. 8xL.52.
-Le cerniere sono disponibili anche nella versione a 3 ali

CHARACTERISTICS

Reversible type hinges for door and windows, their peculiarity being the boring of the hole for the hinge pin. Thanks to the precision of the hole it is possible to insert a nylon bush designed and made to reduce coupling tolerances between the two. With this system the hinge works better and last longer.

MATERIALS AND COMPONENTS

1 pc extruded aluminium male hinge alloy 6060
1 pc extruded aluminium female hinge alloy 6060
1 nylon bush 6.6
2 nylon caps
1 galvanized pin d. 8xL.52

FINISHES

Anodized: silver, bronze, electro colour, black elox
Ral: standard, colour chart
Specials: gold

PACKS

100 pcs in each pack

OPTIONAL: On request

-The hinges can be supplied with pin in stainless steel d. 8xL.52.
-Also available in 3-wings version

CARACTERISTIQUES

Paumelle de type réversible pour portes et fenêtres à battants, à alésage spécial du trou de l'axe de la paumelle. La précision de ce trou permet d'y placer une douille en nylon, étudiée et fabriquée spécialement pour réduire les jeux d'accouplement entre les deux éléments. Ce système permet un meilleur fonctionnement et une plus grande longévité.

MATERIAUX ET PIÉCES

1 Paumelle en aluminium extrudé mâle alliage 6060
1 paumelle en aluminium extrudé femelle alliage 6060
1 douille en nylon
2 bouchons en nylon
1 axe zingué d. 8xL.52

FINITIONS

Anodisées: argent, bronze, couleur électrique, elox noir
Ral: standard, tableau des couleurs
Spéciale: or

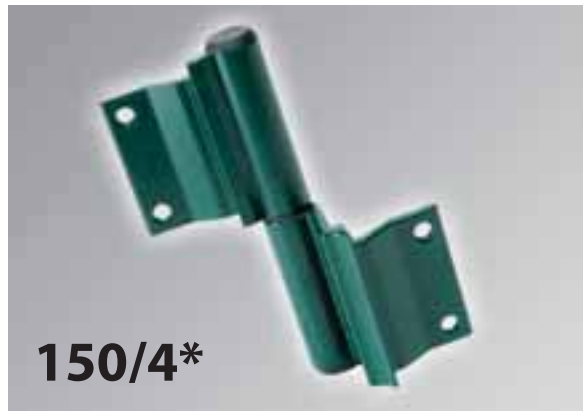
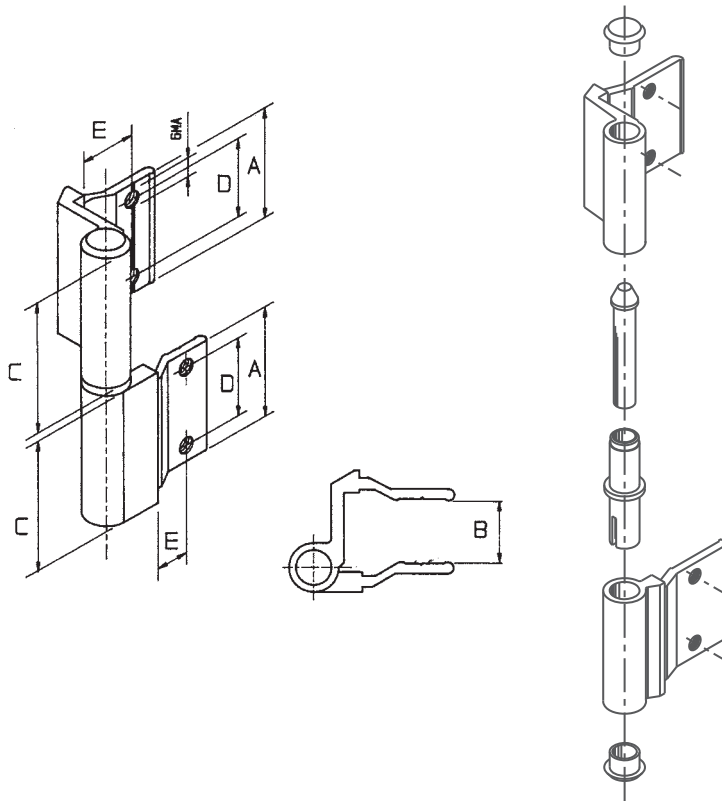
EMBALLAGES

100 pièces par boîte

SUR DEMANDE:

-Paumelle peut être demandée avec axe en acier inox d. 8xL.52
-Paumelles aussi disponibles à 3 lames

Cerniere per Anta Reversibile



ART.	Descrizione profilati/Description of sections/Type of profilé	Quote/Dimensions/Cotes				
		A	B	C	D	E
100/4	NC 40 F4	42	16,5	50	30	20
100/2	NC 40/50	42	16,5	50	SF	SF
105/5	GR 9 CIPRO L.48 SF	42	19,5	48	SF	SF
105/6	GR 9 CIPRO L.48 F. 3,8	42	19,5	48	30	20
100/5	GR 9 SF	42	19,5	50	SF	SF
100/7	FB 12 SF	42	16,5	50	SF	SF
100/8	SIMPLEX 40/50	42	16,5	50	SF	SF
150/1	FB 12 FF	42	16,5	50	30	20
150/4	NC 40 FF	42	16,5	50	30	20
150/4*	NC 40 LEGGERO FF	42	16,5	50	30	20
150/5	NC 50 FF	42	16,5	50	30	20
150/9	GR 9 FF	42	19,5	50	30	20
150/10	DOMAL 4 FF	42	18,2	50	30	20
150/12	SIMPLEX 40 FF	42	16,5	50	30	20
150/13	SIMPLEX 50 FF	42	16,5	50	30	20
100/10	KAP 9 L=48 CIPRO	42	19,5	48	SF	SF



CARATTERISTICHE

Cerniere di tipo reversibile per porte e finestre ad anta, con la particolarità dell'alesatura del foro sede del perno della cerniera. La precisione del foro consente di inserire una boccola in nylon studiata e costruita per ridurre le tolleranze di accoppiamento tra i due componenti. Questo sistema permette un migliore funzionamento e una maggiore durata.

MATERIALI E COMPONENTI

1 pz. Cerniera in alluminio estruso maschio lega 6060
 1 pz. Cerniera in alluminio estruso femmina lega 6060
 1 boccola in nylon 6.6
 2 tappi in nylon
 1 perno zincato d. 8xL.52

FINITURE

Anodizzato: argento, bronzo, elettrocolore, elox nero.
 Verniciato: Ral standard vedi tabella colori
 Speciali: Oro

CONFEZIONI

100 pz per confezione

VARIANTI

-Le cerniere possono essere richieste anche con perno inox d. 8xL.52.
 -Le cerniere sono disponibili anche nella versione a 3 ali



CHARACTERISTICS

Reversible type hinges for door and windows, their peculiarity being the boring of the hole for the hinge pin. Thanks to the precision of the hole it is possible to insert a nylon bush designed and made to reduce coupling tolerances between the two. With this system the hinge works better and last longer.

MATERIALS AND COMPONENTS

1 pc extruded aluminium male hinge alloy 6060
 1 pc extruded aluminium female hinge alloy 6060
 1 nylon bush 6.6
 2 nylon caps
 1 galvanized pin d. 8xL.52

FINISHES

Anodized: silver, bronze, electro colour, black elox
 Ral: standard, colour chart
 Specials: gold

PACKS

100 pcs in each pack

OPTIONAL: On request

-The hinges can be supplied with pin in stainless steel d. 8xL.52.
 -Also available in 3-wings version



CARACTERISTIQUES

Paumelle de type réversible pour portes et fenêtres à battants, à alésage spécial du trou de l'axe de la paumelle. La précision de ce trou permet d'y placer une douille en nylon, étudiée et fabriquée spécialement pour réduire les jeux d'accouplement entre les deux éléments. Ce système permet un meilleur fonctionnement et une plus grande longévité.

MATERIAUX ET PIÈCES

1 Paumelle en aluminium extrudé mâle alliage 6060
 1 paumelle en aluminium extrudé femelle alliage 6060
 1 douille en nylon
 2 bouchons en nylon
 1 axe zingué d. 8xL.52

FINITIONS

Anodisées: argent, bronze, couleur électrique, elox noir
 Ral: standard, tableau des couleurs
 Spéciale: or

EMBALLAGES

100 pièces par boîte

SUR DEMANDE:

-Paumelle peut être demandée avec axe en acier inox d. 8xL.52
 -Paumelles aussi disponibles à 3 lames

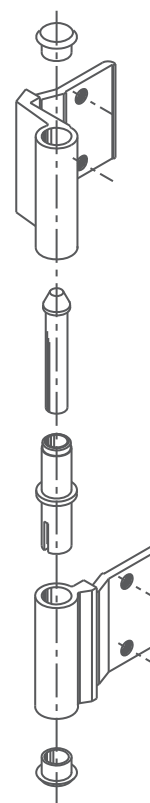
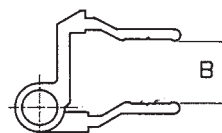
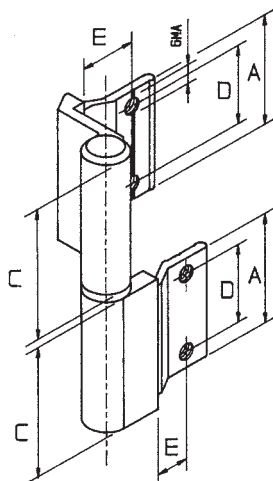
Cerniere per Anta Reversibile



150/4



150/5



ART.	Descrizione profilati/Description of sections/Type of profilé	Quote/Dimensions/Cotes				
		A	B	C	D	E
100/4	NC 40 F4	42	16,5	50	30	20
100/2	NC 40/50	42	16,5	50	SF	SF
105/5	GR 9 CIPRO L.48 SF	42	19,5	48	SF	SF
105/6	GR 9 CIPRO L.48 F. 3,8	42	19,5	48	30	20
100/5	GR 9 SF	42	19,5	50	SF	SF
100/7	FB 12 SF	42	16,5	50	SF	SF
100/8	SIMPLEX 40/50	42	16,5	50	SF	SF
150/1	FB 12 FF	42	16,5	50	30	20
150/4	NC 40 FF	42	16,5	50	30	20
150/4*	NC 40 LEGGERO FF	42	16,5	50	30	20
150/5	NC 50 FF	42	16,5	50	30	20
150/9	GR 9 FF	42	19,5	50	30	20
150/10	DOMAL 4 FF	42	18,2	50	30	20
150/12	SIMPLEX 40 FF	42	16,5	50	30	20
150/13	SIMPLEX 50 FF	42	16,5	50	30	20
100/10	KAP 9 L=48 CIPRO	42	19,5	48	SF	SF

CARATTERISTICHE

Cerniere di tipo reversibile per porte e finestre ad anta, con la particolarità dell'alesatura del foro sede del perno della cerniera. La precisione del foro consente di inserire una boccola in nylon studiata e costruita per ridurre le tolleranze di accoppiamento tra i due componenti. Questo sistema permette un migliore funzionamento e una maggiore durata.

MATERIALI E COMPONENTI

1 pz. Cerniera in alluminio estruso maschio lega 6060
1 pz. Cerniera in alluminio estruso femmina lega 6060
1 boccola in nylon 6.6
2 tappi in nylon
1 perno zincato d. 8xL52

FINITURE

Anodizzato: argento, bronzo, elettrocolore, elox nero.
Verniciato: Ral standard vedi tabella colori
Speciali: Oro

CONFEZIONI

100 pz per confezione

VARIANTI

-Le cerniere possono essere richieste anche con perno inox d. 8xL52.
-Le cerniere sono disponibili anche nella versione a 3 ali

CHARACTERISTICS

Reversible type hinges for door and windows, their peculiarity being the boring of the hole for the hinge pin. Thanks to the precision of the hole it is possible to insert a nylon bush designed and made to reduce coupling tolerances between the two. With this system the hinge works better and last longer.

MATERIALS AND COMPONENTS

1 pc extruded aluminium male hinge alloy 6060
1 pc extruded aluminium female hinge alloy 6060
1 nylon bush 6.6
2 nylon caps
1 galvanized pin d. 8xL52

FINISHES

Anodized: silver, bronze, electro colour, black elox
Ral: standard, colour chart
Specials: gold

PACKS

100 pcs in each pack

OPTIONAL: On request

-The hinges can be supplied with pin in stainless steel d. 8xL52.
-Also available in 3-wings version

CARACTERISTIQUES

Paumelle de type réversible pour portes et fenêtres à battants, à alésage spécial du trou de l'axe de la paumelle. La précision de ce trou permet d'y placer une douille en nylon, étudiée et fabriquée spécialement pour réduire les jeux d'accouplement entre les deux éléments. Ce système permet un meilleur fonctionnement et une plus grande longévité.

MATERIAUX ET PIÉCES

1 Paumelle en aluminium extrudé mâle alliage 6060
1 paumelle en aluminium extrudé femelle alliage 6060
1 douille en nylon
2 bouchons en nylon
1 axe zingué d. 8xL52

FINITIONS

Anodisées: argent, bronze, couleur électrique, elox noir
Ral: standard, tableau des couleurs
Spéciale: or

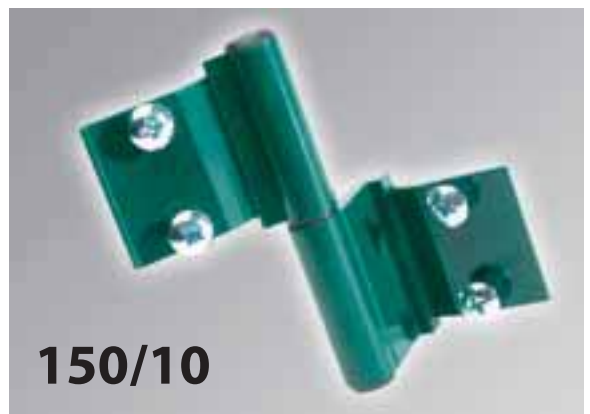
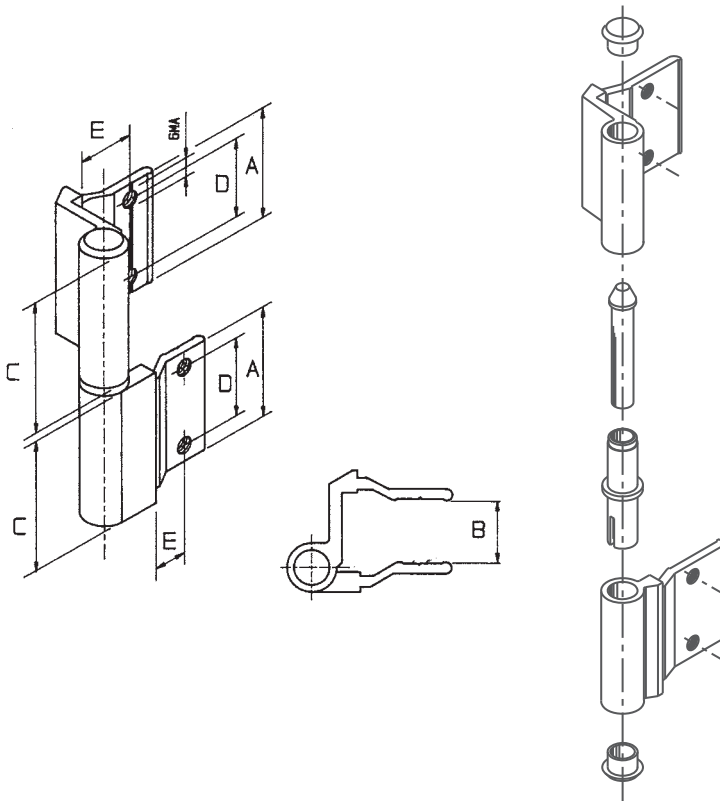
EMBALLAGES

100 pièces par boîte

SUR DEMANDE:

-Paumelle peut être demandée avec axe en acier inox d. 8xL52
-Paumelles aussi disponibles à 3 lames

Cerniere per Anta Reversibile



ART.	Descrizione profilati/Description of sections/Type of profilé	Quote/Dimensions/Cotes				
		A	B	C	D	E
100/4	NC 40 F4	42	16,5	50	30	20
100/2	NC 40/50	42	16,5	50	SF	SF
105/5	GR 9 CIPRO L.48 SF	42	19,5	48	SF	SF
105/6	GR 9 CIPRO L.48 F. 3,8	42	19,5	48	30	20
100/5	GR 9 SF	42	19,5	50	SF	SF
100/7	FB 12 SF	42	16,5	50	SF	SF
100/8	SIMPLEX 40/50	42	16,5	50	SF	SF
150/1	FB 12 FF	42	16,5	50	30	20
150/4	NC 40 FF	42	16,5	50	30	20
150/4*	NC 40 LEGGERO FF	42	16,5	50	30	20
150/5	NC 50 FF	42	16,5	50	30	20
150/9	GR 9 FF	42	19,5	50	30	20
150/10	DOMAL 4 FF	42	18,2	50	30	20
150/12	SIMPLEX 40 FF	42	16,5	50	30	20
150/13	SIMPLEX 50 FF	42	16,5	50	30	20
100/10	KAP 9 L=48 CIPRO	42	19,5	48	SF	SF



CARATTERISTICHE

Cerniere di tipo reversibile per porte e finestre ad anta, con la particolarità dell'alesatura del foro sede del perno della cerniera. La precisione del foro consente di inserire una boccolla in nylon studiata e costruita per ridurre le tolleranze di accoppiamento tra i due componenti. Questo sistema permette un migliore funzionamento e una maggiore durata.

MATERIALI E COMPONENTI

1 pz. Cerniera in alluminio estruso maschio lega 6060
1 pz. Cerniera in alluminio estruso femmina lega 6060
1 boccolla in nylon 6.6
2 tappi in nylon
1 perno zincato d. 8xL.52

FINITURE

Anodizzato: argento, bronzo, elettrocolore, elox nero.
Verniciato: Ral standard vedi tabella colori
Speciali: Oro

CONFEZIONI

100 pz per confezione

VARIANTI

-Le cerniere possono essere richieste anche con perno inox d. 8xL.52.
-Le cerniere sono disponibili anche nella versione a 3 ali



CHARACTERISTICS

Reversible type hinges for door and windows, their peculiarity being the boring of the hole for the hinge pin. Thanks to the precision of the hole it is possible to insert a nylon bush designed and made to reduce coupling tolerances between the two. With this system the hinge works better and last longer.

MATERIALS AND COMPONENTS

1 pc extruded aluminium male hinge alloy 6060
1 pc extruded aluminium female hinge alloy 6060
1 nylon bush 6.6
2 nylon caps
1 galvanized pin d. 8xL.52

FINISHES

Anodized: silver, bronze, electro colour, black elox
Ral: standard, colour chart
Specials: gold

PACKS

100 pcs in each pack

OPTIONAL: On request

-The hinges can be supplied with pin in stainless steel d. 8xL.52.
-Also available in 3-wings version



CARACTERISTIQUES

Paumelle de type réversible pour portes et fenêtres à battants, à alésage spécial du trou de l'axe de la paumelle. La précision de ce trou permet d'y placer une douille en nylon, étudiée et fabriquée spécialement pour réduire les jeux d'accouplement entre les deux éléments. Ce système permet un meilleur fonctionnement et une plus grande longévité.

MATERIAUX ET PIÈCES

1 Paumelle en aluminium extrudé mâle alliage 6060
1 paumelle en aluminium extrudé femelle alliage 6060
1 douille en nylon
2 bouchons en nylon
1 axe zingué d. 8xL.52

FINITIONS

Anodisées: argent, bronze, couleur électrique, elox noir
Ral: standard, tableau des couleurs
Spéciale: or

EMBALLAGES

100 pièces par boîte

SUR DEMANDE:

-Paumelle peut être demandée avec axe en acier inox d. 8xL.52
-Paumelles aussi disponibles à 3 lames

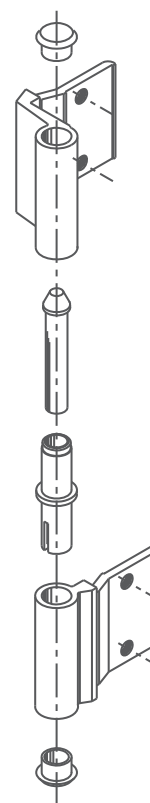
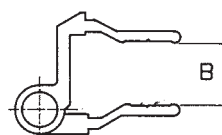
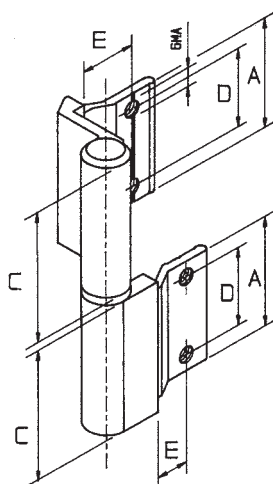
Cerniere per Anta Reversibile



150/13



100/10



ART.	Descrizione profilati/Description of sections/Type of profilé	Quote/Dimensions/Cotes				
		A	B	C	D	E
100/4	NC 40 F4	42	16,5	50	30	20
100/2	NC 40/50	42	16,5	50	SF	SF
105/5	GR 9 CIPRO L.48 SF	42	19,5	48	SF	SF
105/6	GR 9 CIPRO L.48 F. 3,8	42	19,5	48	30	20
100/5	GR 9 SF	42	19,5	50	SF	SF
100/7	FB 12 SF	42	16,5	50	SF	SF
100/8	SIMPLEX 40/50	42	16,5	50	SF	SF
150/1	FB 12 FF	42	16,5	50	30	20
150/4	NC 40 FF	42	16,5	50	30	20
150/4*	NC 40 LEGGERO FF	42	16,5	50	30	20
150/5	NC 50 FF	42	16,5	50	30	20
150/9	GR 9 FF	42	19,5	50	30	20
150/10	DOMAL 4 FF	42	18,2	50	30	20
150/12	SIMPLEX 40 FF	42	16,5	50	30	20
150/13	SIMPLEX 50 FF	42	16,5	50	30	20
100/10	KAP 9 L=48 CIPRO	42	19,5	48	SF	SF

CARATTERISTICHE

Cerniere di tipo reversibile per porte e finestre ad anta, con la particolarità dell'alesatura del foro sede del perno della cerniera. La precisione del foro consente di inserire una boccola in nylon studiata e costruita per ridurre le tolleranze di accoppiamento tra i due componenti. Questo sistema permette un migliore funzionamento e una maggiore durata.

MATERIALI E COMPONENTI

1 pz. Cerniera in alluminio estruso maschio lega 6060
1 pz. Cerniera in alluminio estruso femmina lega 6060
1 boccola in nylon 6.6
2 tappi in nylon
1 perno zincato d. 8xL.52

FINITURE

Anodizzato: argento, bronzo, elettrocolore, elox nero.
Verniciato: Ral standard vedi tabella colori
Speciali: Oro

CONFEZIONI

100 pz per confezione

VARIANTI

-Le cerniere possono essere richieste anche con perno inox d. 8xL.52.
-Le cerniere sono disponibili anche nella versione a 3 ali

CHARACTERISTICS

Reversible type hinges for door and windows, their peculiarity being the boring of the hole for the hinge pin. Thanks to the precision of the hole it is possible to insert a nylon bush designed and made to reduce coupling tolerances between the two. With this system the hinge works better and last longer.

MATERIALS AND COMPONENTS

1 pc extruded aluminium male hinge alloy 6060
1 pc extruded aluminium female hinge alloy 6060
1 nylon bush 6.6
2 nylon caps
1 galvanized pin d. 8xL.52

FINISHES

Anodized: silver, bronze, electro colour, black elox
Ral: standard, colour chart
Specials: gold

PACKS

100 pcs in each pack

OPTIONAL: On request

-The hinges can be supplied with pin in stainless steel d. 8xL.52.
-Also available in 3-wings version

CARACTERISTIQUES

Paumelle de type réversible pour portes et fenêtres à battants, à alésage spécial du trou de l'axe de la paumelle. La précision de ce trou permet d'y placer une douille en nylon, étudiée et fabriquée spécialement pour réduire les jeux d'accouplement entre les deux éléments. Ce système permet un meilleur fonctionnement et une plus grande longévité.

MATERIAUX ET PIÉCES

1 Paumelle en aluminium extrudé mâle alliage 6060
1 paumelle en aluminium extrudé femelle alliage 6060
1 douille en nylon
2 bouchons en nylon
1 axe zingué d. 8xL.52

FINITIONS

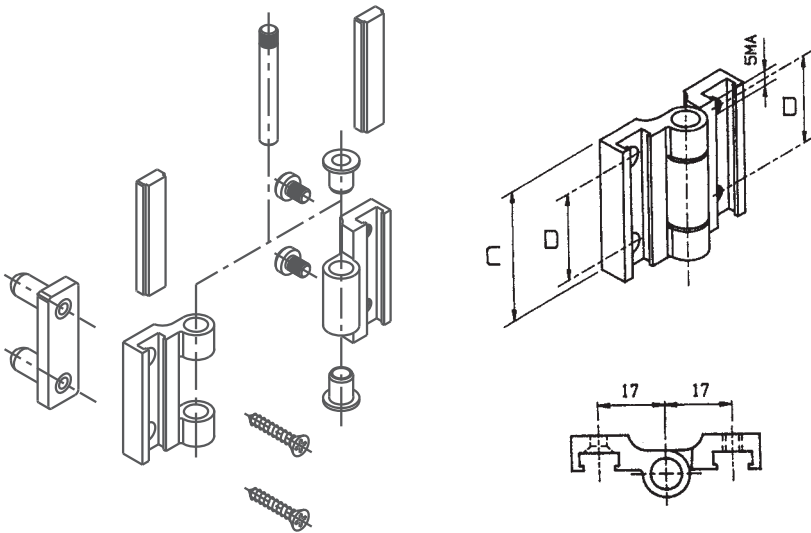
Anodisées: argent, bronze, couleur électrique, elox noir
Ral: standard, tableau des couleurs
Spéciale: or

EMBALLAGES

100 pièces par boîte

SUR DEMANDE:

-Paumelle peut être demandée avec axe en acier inox d. 8xL.52
-Paumelles aussi disponibles à 3 lames



180

ART.	Descrizione profilati/Description of sections/Type of profilé
180	CERNIERA PER SCURETTO/ SHUTTERING HINGE/ PAUMELLE POUR PETIT VOLET
180/5	CERNIERA PER ZANZARIERA/ MOSQUITO CURTAIN HINGE/ PAUMELLE POUR MOUSTIQUAIRE
188	CERNIERA SPECIALE TORINO/ TORINO SPECIAL HINGE/ PAUMELLE SPÉCIALE TORINO
199	CERNIERA TIPO UFFICIO/ OFFICE TYPE HINGE/ PAUMELLE TYPE BUREAU
200	CERNIERA/HINGE/PAUMELLE LORY



CERNIERE TRIADE

CARATTERISTICHE

Cerniera studiata e progettata per essere adattabile a tutti i tipi di profilo esistenti sia in alluminio, ferro e legno. La caratteristica di questa cerniera consiste nel sistema di fissaggio, particolarmente semplice, ma di grande adattabilità.

MATERIALI E COMPONENTI

- 1 pz. Cerniera in alluminio estruso maschio lega 6060
- 1 pz. Cerniera in alluminio estruso femmina lega 6060
- 2 boccole in nylon
- 2 boccole ottone
- 1 perno zincato Ø 6 L=45
- 2 viti M5x6 zincate
- 2 viti 3,9x32 zincate
- 2 piastrine copriviti in nylon
- 1 spessore fiss.in nylon

FINITURE

Anodizzato: argento, bronzo, elettrocolore, elox nero.
Verniciato: Ral standard vedi tabella colori
Speciali: Oro

CONFEZIONI

100 pz per confezione



HINGE TRIADE

CHARACTERISTICS

This hinge has been designed to adapt to any kind of existing section whether it is made in aluminium, iron or wood. Its characteristics is the fixing system whitch is very simple but extremely flexible.

MATERIALS AND COMPONENTS

- 1 pc extruded aluminium male hinge alloy 6060
- 1 pc extruded aluminium female hinge alloy 6060
- 2 nylon bushes
- 2 brass bushes
- 2 nylon caps
- 1 galvanized pin d. 6xL45
- 2 M5x6 headed screws
- 2 M3,9x32 headed screws
- 2 nylon screw covering plates
- 1 nylon fixing shim

FINISHES

Anodized: silver, bronze, electro colour, black elox
Ral: standard, colour chart
Specials: gold

PACKS

100 pcs in each pack



PAUMELLE TRIADE

CARACTERISTIQUES

Paumelle étudiée et conçue pour s'adapter à tous les types de profilés existants, qu'ils soient en aluminium, en fer ou en bois. Cette paumelle se caractérise par son système de fixation, particulièrement simple, mais qui s'adapte très facilement.

MATERIAUX ET PIECES

- 1 Paumelle en aluminium extrudé male alliage 6060
- 1 paumelle en aluminium extrudé femelle alliage 6060
- 2 douilles en nylon
- 2 bouchons en cuivre
- 1 axe zingué d. 6xL45
- 2 vis M5x6 zingué
- 2 vis M3,9x32 zingué
- 2 plaques couvre-vis en nylon
- 1 épaisseur fixe en nylon

FINITIONS

Anodisées: argent, bronze, couleur électrique, elox noir
Ral: standard, tableau des couleurs
Speciale: or

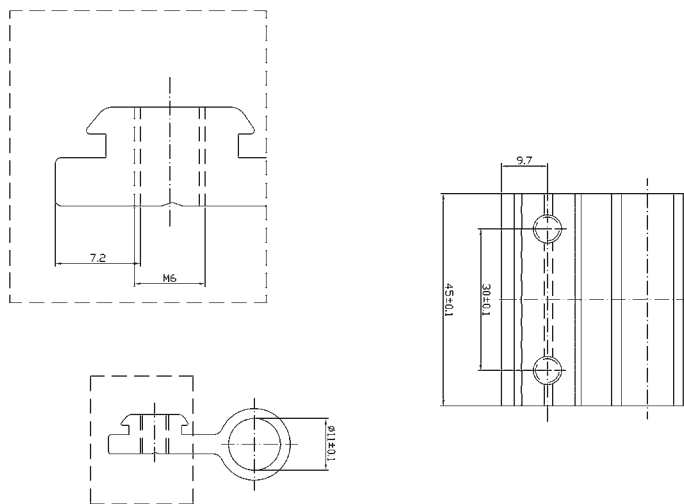
EMBALLAGES

100 pièces par boîte

Cerniere Triade



180/5



ART.	Descrizione profilati/Description of sections/Type of profilé
180	CERNIERA PER SCURETTO/ SHUTTERING HINGE/ PAUMELLE POUR PETIT VOLET
180/5	CERNIERA PER ZANZARIERA/ MOSQUITO CURTAIN HINGE/ PAUMELLE POUR MOUSTIQUEAIRE
188	CERNIERA SPECIALE TORINO/ TORINO SPECIAL HINGE/ PAUMELLE SPÉCIALE TORINO
199	CERNIERA TIPO UFFICIO/ OFFICE TYPE HINGE/ PAUMELLE TYPE BUREAU
200	CERNIERA/HINGE/PAUMELLE LORY

CERNIERE TRIADE

CARATTERISTICHE

Cerniera studiata e progettata per essere adattabile a tutti i tipi di profilo esistenti sia in alluminio, ferro e legno. La caratteristica di questa cerniera consiste nel sistema di fissaggio, particolarmente semplice, ma di grande adattabilità.

MATERIALI E COMPONENTI

2 pz. Cerniera in alluminio lega 6060
1 perno zincato D.8x52
2 tappi nylon 66 D.11
1 boccola nylon 6.6
4 grani M6x10 inox a coppa

FINITURE

Anodizzato: argento, bronzo, elettrocolore, elox nero.
Verniciato: Ral standard vedi tabella colori
Speciali: Oro

CONFEZIONI

100 pz per confezione

HINGE TRIADE

CHARACTERISTICS

This hinge has been designed to adapt to any kind of existing section whether it is made in aluminium, iron or wood. Its characteristics is the fixing system whic is very simple but extremely flexible.

MATERIALS AND COMPONENTS

2 pc aluminium hinge alloy 6060
1 galvanized pin D.8x52
2 nylon caps 66 D.11
1 nylon bush 6.6
4 M6x10 stainless steel dowels

FINISHES

Anodized: silver, bronze, electro colour, black elox
Ral: standard, colour chart
Specials: gold

PACKS

100 pcs in each pack

PAUMELLE TRIADE

CARACTERISTIQUES

Paumelle étudiée et conçue pour s'adapter à tous les types de profilés existants, qu'ils soient en aluminium, en fer ou en bois. Cette paumelle se caractérise par son système de fixation, particulièrement simple, mais qui s'adapte très facilement.

MATERIAUX ET PIECES

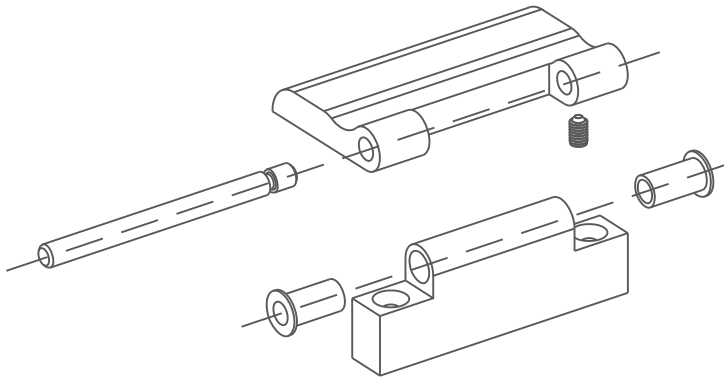
2 Paumelles en aluminium alliage 6060
1 axe zingué D.8x52
2 bouchons en nylon 66 D.11
1 douille en nylon 6.6
4 boulons M6x10 inox à pointe

FINITIONS

Anodisées: argent, bronze, couleur électrique, elox noir
Ral: standard, tableau des couleurs
Speciale: or

EMBALLAGES

100 pièces par boîte



188

ART.	Descrizione profilati/Description of sections/Type of profilé
180	CERNIERA PER SCURETTO/ SHUTTERING HINGE/ PAUMELLE POUR PETIT VOLET
180/5	CERNIERA PER ZANZARIERA/ MOSQUITO CURTAIN HINGE/ PAUMELLE POUR MOUSTIQUAIRE
188	CERNIERA SPECIALE TORINO/ TORINO SPECIAL HINGE/ PAUMELLE SPÉCIALE TORINO
199	CERNIERA TIPO UFFICIO/ OFFICE TYPE HINGE/ PAUMELLE TYPE BUREAU
200	CERNIERA/HINGE/PAUMELLE LORY



CERNIERE TRIADE

CARATTERISTICHE

Cerniera studiata e progettata per essere adattabile a tutti i tipi di profilo esistenti sia in alluminio, ferro e legno. La caratteristica di questa cerniera consiste nel sistema di fissaggio, particolarmente semplice, ma di grande adattabilità.

MATERIALI E COMPONENTI

1 pz. Cerniera in alluminio estruso maschio lega 6060
 1 pz. Cerniera in alluminio estruso femmina lega 6060
 1 perno zincato D.8 x100
 2 boccole in nylon aperte L.22
 1 grano M6x10 inox a coppa
 3 viti zincate TC+M6x10

FINITURE

Anodizzato: argento, bronzo, elettrocolore, elox nero.
 Verniciato: Ral standard vedi tabella colori
 Speciali: Oro

CONFEZIONI

100 pz per confezione



HINGE TRIADE

CHARACTERISTICS

This hinge has been designed to adapt to any kind of existing section whether it is made in aluminium, iron or wood. Its characteristics is the fixing system whitch is very simple but extremely flexible.

MATERIALS AND COMPONENTS

1 pc extruded aluminium male hinge alloy 6060
 1 pc extruded aluminium female hinge alloy 6060
 1 galvanized pin D.8 x100
 2 open nylon bushes L.22
 1 M6x10 stainless steel dowel
 3 TC+M6x10 headed screws

FINISHES

Anodized: silver, bronze, electro colour, black elox
 Ral: standard, colour chart
 Specials: gold

PACKS

100 pcs in each pack



PAUMELLE TRIADE

CARACTERISTIQUES

Paumelle étudiée et conçue pour s'adapter à tous les types de profilés existants, qu'ils soient en aluminium, en fer ou en bois. Cette paumelle se caractérise par son système de fixation, particulièrement simple, mais qui s'adapte très facilement.

MATERIAUX ET PIECES

1 Paumelle en aluminium extrudé male alliage 6060
 1 paumelle en aluminium extrudé femelle alliage 6060
 1 1 axe zingué D.8 x100
 2 douilles en nylon ouvertes L.22
 1 boulon M6x10 inox à pointe
 3 vis zingué TC+M6x10

FINITIONS

Anodisées: argent, bronze, couleur électrique, elox noir
 Ral: standard, tableau des couleurs
 Speciale: or

EMBALLAGES

100 pièces par boîte

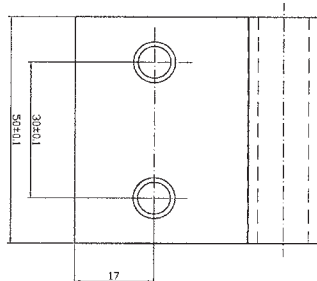
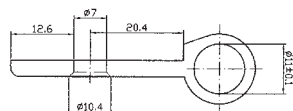
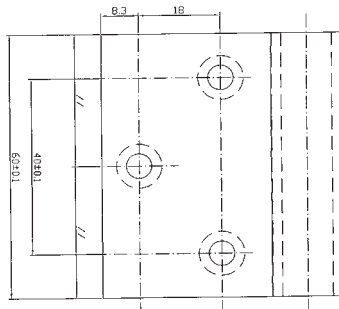
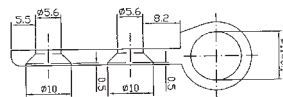
Cerniere Triade



199



200



ART.	Descrizione profilati/Description of sections/Type of profilé
180	CERNIERA PER SCURETTO/ SHUTTERING HINGE/ PAUMELLE POUR PETIT VOILET
180/5	CERNIERA PER ZANZARIERA/ MOSQUITO CURTAIN HINGE/ PAUMELLE POUR MOUSTIQUEAIRE
188	CERNIERA SPECIALE TORINO/ TORINO SPECIAL HINGE/ PAUMELLE SPÉCIALE TORINO
199	CERNIERA TIPO UFFICIO/ OFFICE TYPE HINGE/ PAUMELLE TYPE BUREAU
200	CERNIERA/HINGE/PAUMELLE LORY

CERNIERE TRIADE

CARATTERISTICHE

Cerniera studiata e progettata per essere adattabile a tutti i tipi di profilo esistenti sia in alluminio, ferro e legno. La caratteristica di questa cerniera consiste nel sistema di fissaggio, particolarmente semplice, ma di grande adattabilità.

MATERIALI E COMPONENTI art. 199

- 2 Cerniere in alluminio estruso lega 6060
- 2 tappi in nylon D.11
- 1 perno zincato D.8 x52
- 1 boccia in nylon 6.6

MATERIALI E COMPONENTI art. 200

- 2 Cerniere in alluminio estruso lega 6060
- 2 tappi in nylon D.11
- 1 perno zincato D.8 x52
- 1 boccia in nylon 6.6
- 2 piastrine inox 430
- 4 viti M5

FINITURE

Anodizzato: argento, bronzo, elettrocolore, elox nero.
Verniciato: Ral standard vedi tabella colori
Speciali: Oro

CONFEZIONI

100 pz per confezione

HINGE TRIADE

CHARACTERISTICS

This hinge has been designed to adapt to any kind of existing section whether it is made in aluminium, iron or wood. Its characteristics is the fixing system whitch is very simple but extremely flexible.

MATERIALS AND COMPONENTS art. 199

- 2 pc aluminium hinge alloy 6060
- 2 nylon caps D.11
- 1 galvanized pin D.8x52
- 1 nylon bush 6.6

MATERIALS AND COMPONENTS art. 200

- 2 pc aluminium hinge alloy 6060
- 2 nylon caps D.11
- 1 galvanized pin D.8x52
- 1 nylon bush 6.6
- 2 plates inox 430
- 4 M5 screws

FINISHES

Anodized: silver, bronze, electro colour, black elox
Ral: standard, colour chart
Specials: gold

PACKS

100 pcs in each pack

PAUMELLE TRIADE

CHARACTERISTIQUES

Paumelle étudiée et conçue pour s'adapter à tous les types de profilés existants, qu'ils soient en aluminium, en fer ou en bois. Cette paumelle se caractérise par son système de fixation, particulièrement simple, mais qui s'adapte très facilement.

MATERIAUX ET PIECES art. 199

- 2 Paumelles en aluminium alliage 6060
- 2 bouchons en nylon D.11
- 1 axe zingué D.8x52
- 1 douille en nylon 6.6

MATERIAUX ET PIECES art. 200

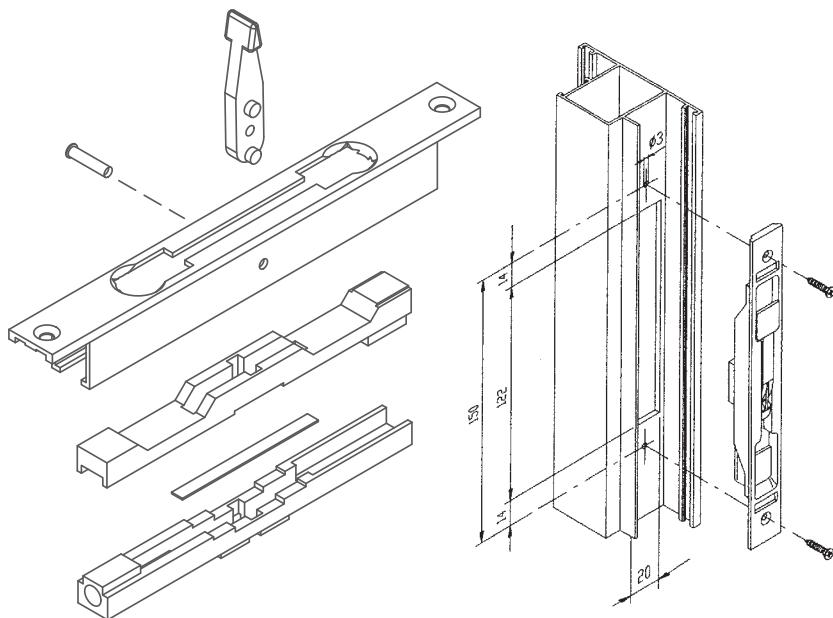
- 2 Paumelles en aluminium alliage 6060
- 2 bouchons en nylon D.11
- 1 axe zingué D.8x52
- 1 douille en nylon 6.6
- 2 plaques inox 430
- 4 vis M5

FINITIONS

Anodisées: argent, bronze, couleur électrique, elox noir
Ral: standard, tableau des couleurs
Speciale: or

EMBALLAGES

100 pièces par boîte



ART.	Descrizione profilati/Description of sections/Type of profilé
300/1	CATENACCIOLO ROMEO DOPPIA MANDATA/ ROMEO DOUBLE ACTION LATCH BOLT/VERROU ROMEO DOUBLE TOUR
300/2	CATENACCIOLO ROMEO DA 16 mm/ 16 mm ROMEO LATCH BOLT/VERROU ROMEO DE 16 mm
300/3	CATENACCIOLO A RIDOSSO PICCOLO 100 mm/ 100 mm SMALL FLAT LATCH BOLT/VERROU PÊNE PLAT PETIT 100 mm
300/4	CATENACCIOLO A RIDOSSO GRANDE 400 mm/ 400 mm SMALL FLAT LATCH BOLT/VERROU PÊNE PLAT GRAND 400 mm
300/5	CATENACCIOLO RUDY con perno in acciaio zincato per profili con cava da 16 mm:serie NC International (tutte) RUDY LATCH BOLT with galvanised steel pin for profiles with 16 mm slot:NC International series (all) VERROU RUDY avec axe en acier zingué pour profils avec gorge de 16 mm :série NC International (toutes)
300/6	CATENACCIOLO RUDY con perno in acc.zincato per prof.con cava da 18 mm:serie Domal Stopper,PG,EKU53,Camera Europea RUDY LATCH BOLT with galvanised steel pin for profiles with 18 mm slot:Domal Stopper,PG,EKU53 and Camera Europea series VERROU RUDY avec axe en acier zingué pour profils avec gorge de 18 mm :série Domal Stopper,PG,EKU53,Chambre Europea
300/7	CATENACCIOLO RUDY con perno in acciaio zincato per profili con cava da 20 mm RUDY LATCH BOLT with galvanised steel pin for profiles with 20 mm slot VERROU RUDY avec axe en acier zingué pour profils avec gorge de 20 mm



CATENACCIOLI

CARATTERISTICHE

Catenaccio a leva fornibile anche a doppia mandata, costruito in alluminio estruso, adattabile a qualsiasi profilo su scasso da 16 mm.

MATERIALI E COMPONENTI

1 cursore superiore in nylon 6.6
1 cursore inferiore in nylon 6.6
1 leva in nylon 6.6
2 molle in acciaio
1 spina in ottone 2,8x15
2 viti TSP+3,5x9,5 zincate
1 scatola catenacciolo in alluminio lega 6060

FINITURE

Anodizzato: argento, bronzo, elettrocolore, elox nero.
Verniciato: Ral standard vedi tabella colori
Speciali: Oro

CONFEZIONI

80 pz per confezione



LATCH BOLTS

CHARACTERISTICS

Latch lever bolts 16 mm available also a double action, made in extruded aluminium, adaptable for all types of profiles.

MATERIALS AND COMPONENTS

1 nylon 6.6 upper slider
1 nylon 6.6 lower slider
1 nylon 6.6 lever
2 steel springs
1 2.8x15 brass pin
2 TSP + 3.5x9.5 galvanised screws
1 aluminium alloy 6060 latch bolt box

FINISHES

Anodized: silver, bronze, electro colour, black elox
Ral: standard, colour chart
Specials: gold

PACKS

80 pcs in each pack



VERROUS

CARACTÉRISTIQUES

Verrou à bascule, pouvant aussi être à deux directions, réalisé en aluminium extrudé, adaptable à n'importe quel profil sur entaille de 16 mm.

MATÉRIAUX ET PIÈCES

1 curseur supérieur en nylon 6.6
1 curseur inférieur en nylon 6.6
1 levier en nylon 6.6
2 ressorts en acier
1 fiche en laiton 2,8x15
2 vis TSP+3,5x9,5 zinguées
1 petit boîtier verrouillé en alliage d'aluminium 6060

FINITIONS

Anodisées: argent, bronze, électrocouleur, noir oxydé.
Peintes: RAL standard, voir tableau des couleurs
Spéciales: Or

EMBALLAGES

80 pièces par emballage

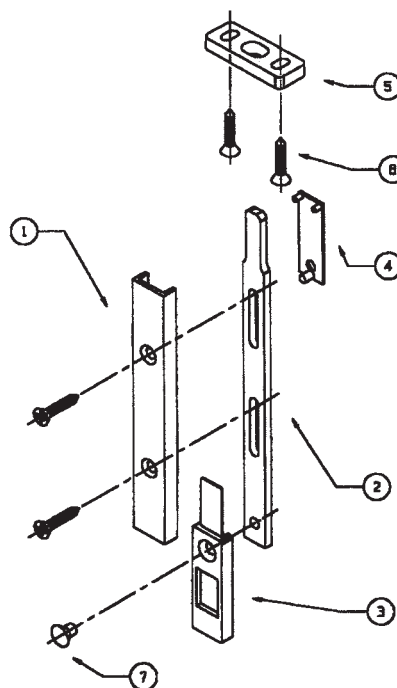
Catenaccioli



300/3



300/4



ART.	Descrizione profilati/Description of sections/Type of profilé
300/1	CATENACCIOLO ROMEO DOPPIA MANDATA/ ROMEO DOUBLE ACTION LATCH BOLT/ VERROU ROMEO DOUBLE TOUR
300/2	CATENACCIOLO ROMEO DA 16 mm/ 16 mm ROMEO LATCH BOLT/ VERROU ROMEO DE 16 mm
300/3	CATENACCIOLO A RIDOSSO PICCOLO 100 mm/ 100 mm SMALL FLAT LATCH BOLT/ VERROU PÊNE PLAT PETIT 100 mm
300/4	CATENACCIOLO A RIDOSSO GRANDE 400 mm/ 400 mm SMALL FLAT LATCH BOLT/ VERROU PÊNE PLAT GRAND 400 mm
300/5	CATENACCIOLO RUDY con perno in acciaio zincato per profili con cava da 16 mm: serie NC International (tutte) RUDY LATCH BOLT with galvanised steel pin for profiles with 16 mm slot: NC International series (all) VERROU RUDY avec axe en acier zingué pour profils avec gorge de 16 mm : série NC International (toutes)
300/6	CATENACCIOLO RUDY con perno in acc.zincato per prof.con cava da 18 mm:serie Domal Stopper,PG,EKU53,Camera Europea RUDY LATCH BOLT with galvanised steel pin for profiles with 18 mm slot: Domal Stopper, PG, EKU53 and Camera Europea series VERROU RUDY avec axe en acier zingué pour profils avec gorge de 18 mm : série Domal Stopper, PG, EKU53, Chambre Europea
300/7	CATENACCIOLO RUDY con perno in acciaio zincato per profili con cava da 20 mm RUDY LATCH BOLT with galvanised steel pin for profiles with 20 mm slot VERROU RUDY avec axe en acier zingué pour profils avec gorge de 20 mm

CATENACCIOLI

CARATTERISTICHE

Catenacciolo a ridosso costruito in alluminio estruso, fornibile in 2 misure da 100 mm e da 400 mm adattabile a qualsiasi tipo di profilo.

MATERIALI E COMPONENTI

1 asta da 100 mm zincata
1 impugnatura in nylon 6.6
1 incontro in nylon 6.6
1 spessore incontro in nylon 6.6
1 rivetto
2 viti TSP+3,5 x16 zincate
1 copri catenacciolo in all. estruso lega 6060

FINITURE

Anodizzato: argento, bronzo, elettrocolore, elox nero.
Verniciato: Ral standard vedi tabella colori
Speciali: Oro

CONFEZIONI

80 pz per confezione

LATCH BOLTS

CHARACTERISTICS

Extruded aluminium flat latch bolt available in 2 sizes, 100 mm and 400 mm and adaptable to all types of profiles.

MATERIALS AND COMPONENTS

1 100 mm galvanised rod
1 nylon 6.6 handle
1 nylon 6.6 end piece slot
1 nylon 6.6 end piece slot shim
1 rivet
2 TSP + 3.5 x16 galvanised screws
1 extruded aluminium alloy 6060 latch bolt cover

FINISHES

Anodized: silver, bronze, electro colour, black elox
Ral: standard, colour chart
Specials: gold

PACKS

80 pcs in each pack

VERROUS

CARACTÉRISTIQUES

VERROU PÊNE PLAT construit en aluminium extrudé, livrable en 2 mesures de 100 mm et de 400 mm adaptable à tout type de profil.

MATÉRIAUX ET PIÈCES

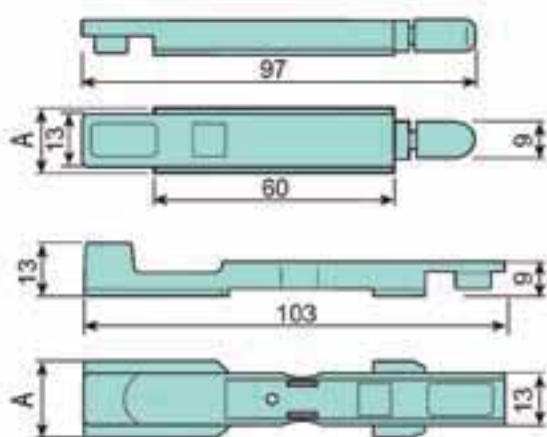
1 tige de 100 mm zinguée
1 poignée en nylon 6.6
1 gâche en nylon 6.6
1 épaisseur gâche en nylon 6.6
1 rivet
2 vis TSP+3,5 x16 zinguées
1 couvre-verrou en alliage aluminium extrudé 6060

FINITIONS

Anodisées: argent, bronze, électrocouleur, noir oxydé.
Peintes: RAL standard, voir tableau des couleurs
Spéciales: Or

EMBALLAGES

80 pièces par emballage



300/5 A = 15,5 mm
300/6 A = 17,5 mm
300/7 A = 19,5 mm

ART.	Descrizione profilati/Description of sections/Type of profilé
300/1	CATENACCIOLO ROMEO DOPPIA MANDATA/ ROMEO DOUBLE ACTION LATCH BOLT/VERROU ROMEO DOUBLE TOUR
300/2	CATENACCIOLO ROMEO DA 16 mm/ 16 mm ROMEO LATCH BOLT/VERROU ROMEO DE 16 mm
300/3	CATENACCIOLO A RIDOSSO PICCOLO 100 mm/ 100 mm SMALL FLAT LATCH BOLT/VERROU PÊNE PLAT PETIT 100 mm
300/4	CATENACCIOLO A RIDOSSO GRANDE 400 mm/ 400 mm SMALL FLAT LATCH BOLT/VERROU PÊNE PLAT GRAND 400 mm
300/5	CATENACCIOLO RUDY con perno in acciaio zincato per profili con cava da 16 mm:serie NC International (tutte) <i>RUDY LATCH BOLT with galvanised steel pin for profiles with 16 mm slot:NC International series (all)</i> <i>VERROU RUDY avec axe en acier zingué pour profils avec gorge de 16 mm :série NC International (toutes)</i>
300/6	CATENACCIOLO RUDY con perno in acc.zincato per prof.con cava da 18 mm:serie Domal Stopper,PG,EKU53,Camera Europea <i>RUDY LATCH BOLT with galvanised steel pin for profiles with 18 mm slot:Domal Stopper,PG,EKU53 and Camera Europea series</i> <i>VERROU RUDY avec axe en acier zingué pour profils avec gorge de 18 mm :série Domal Stopper,PG,EKU53,Chambre Europea</i>
300/7	CATENACCIOLO RUDY con perno in acciaio zincato per profili con cava da 20 mm <i>RUDY LATCH BOLT with galvanised steel pin for profiles with 20 mm slot</i> <i>VERROU RUDY avec axe en acier zingué pour profils avec gorge de 20 mm</i>



CATENACCIOLI

CARATTERISTICHE

Catenacciolo con perno in acciaio zincato.

MATERIALI E COMPONENTI

1 terminale in nylon con punta in acciaio zincato
 1 asta di collegamento in nylon
 1 particolare di collegamento in nylon
 1 rivetto in acciaio zincato
 1 grano a punta brunito 5x4



LATCH BOLTS

CHARACTERISTICS

Latch bolt with galvanised steel pin.

MATERIALS AND COMPONENTS

1 nylon head with galvanised steel tip
 1 nylon connection rod
 1 nylon connection piece
 1 galvanised steel rivet
 1 5x4 burnished pointed dowel



VERROUS

CARACTÉRISTIQUES

Verrou avec axe en acier zingué.

MATÉRIEAUX ET PIÈCES

1 embout en nylon avec pointe en acier zingué
 1 tige de connexion en nylon
 1 élément de connexion en nylon
 1 rivet en acier zingué
 1 boulon à pointe brunie 5x4

Maniglie



450

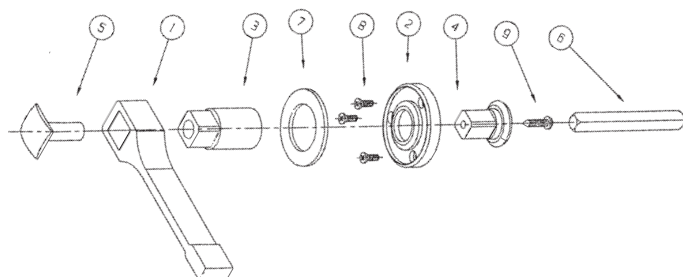


450/1

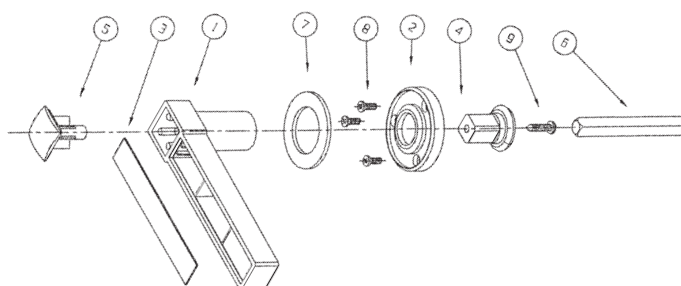


462

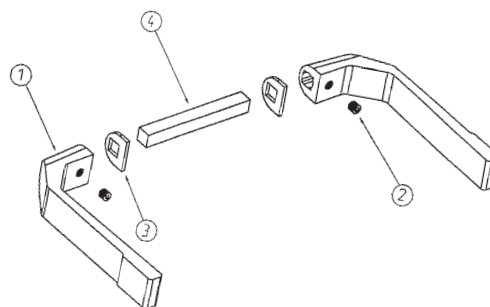
ART.	Descrizione profilati/Description of sections/Type of profilé
450	MANIGLIA GIULIETTA



ART.	Descrizione profilati/Description of sections/Type of profilé
450/1	MANIGLIA MARISA



ART.	Descrizione profilati/Description of sections/Type of profilé
462	MANIGLIA per montante LAURA



MANIGLIE

MANIGLIA GIULIETTA 450

La linea della maniglia è molto semplice realizzata in alluminio estruso ed assemblata con i particolari in nylon. È molto solida e può essere adattata a tutti i tipi di apertura.

MANIGLIA MARISA 450/1

Il design è molto semplice se pur mantenendo le stesse caratteristiche di una maniglia in nylon, si differenzia per il fatto che il frontale porta un'inserto in alluminio che può variare nelle diverse colorazioni.

MANIGLIA PER MONTANTE LAURA 462

Maniglia in alluminio estruso con gusci di copertura in nylon, la linea è semplice ma robusta. Viene utilizzata negli spazi interni ed esterni limitati.

FINITURE

Anodizzato: argento, bronzo, elettrocolore, elox nero.
Verniciato: Ral standard vedi tabella colori
Speciali: Oro

CONFEZIONI

20 pz per confezione

HANDLES

GIULIETTA 450 HANDLE

Handle with a simple line made of extruded aluminium and assembled with nylon components. It is very sturdy and is suitable for all types of openings.

MARISA 450/1 HANDLE

Very simple design; it has the same characteristics of a nylon handle but the front part has an aluminium insert that can be of different colours.

LAURA 462 HANDLE FOR JAMB

Extruded aluminium handle with nylon covering shells; simple yet sturdy line.
Suitable for restricted indoor or outdoor spaces.

FINISHES

Anodized: silver, bronze, electro colour, black elox
Ral: standard, colour chart
Specials: gold

PACKS

20 pcs in each pack

POIGNÉES

POIGNÉE GIULIETTA 450

La ligne de la poignée est très simple et réalisée en aluminium extrudé, assemblée avec les éléments en nylon. Très solide, elle peut être adaptée à tous les types d'ouverture.

POIGNÉE MARISA 450/1

Le design est très simple tout en maintenant les mêmes caractéristiques qu'une poignée en nylon, elle se différencie de par le fait que la façade porte une plaquette en aluminium qui peut varier dans les différentes teintes.

POIGNÉE POUR JAMBAGE LAURA 462

Poignée en aluminium extrudé avec coques de couverture en nylon, la ligne est simple mais robuste. Elle est utilisée dans les espaces intérieurs et extérieurs limités.

FINITIONS

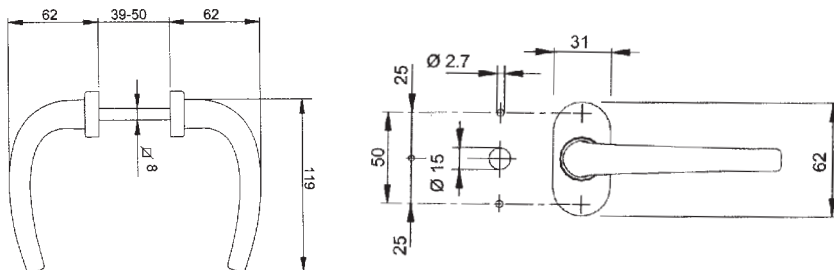
Anodisées: argent, bronze, couleur électrique, elox noir
Ral: standard, tableau des couleurs
Spéciale: or

EMBALLAGES

20 pièces par boîte

ART. **Descrizione profilati/Description of sections/Type of profilé**

455 MANIGLIA VALENTINA in nylon con Zama interna

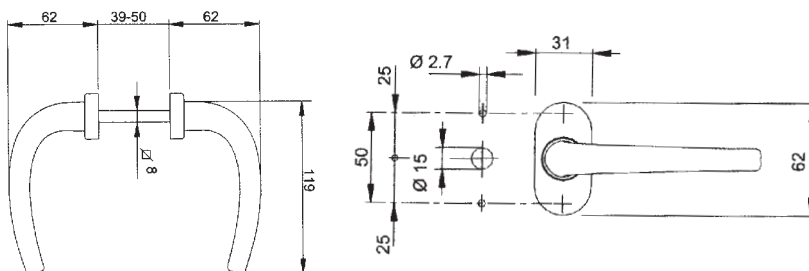


455



ART. **Descrizione profilati/Description of sections/Type of profilé**

457 MANIGLIA GLORIA



457



 **MANIGLIE**

MANIGLIA VALENTINA 455
Leggera nel peso e nella forma. Una maniglia semplice, ridotta all'essenziale ma che non perde la sua funzionalità nel tempo.

MANIGLIA GLORIA 457
Prodotta completamente in nylon, garantisce un'eccellente solidità e durata nel tempo. Adatta ad ogni tipo di porta.

FINITURE
Bianco o nero.

CONFEZIONI
20 pz per confezione

 **HANDLES**

VALENTINA 455 HANDLE
Lightweight and streamlined. Simple and essential handle which however maintains its functionality over time.

GLORIA 457 HANDLE
Completely made of nylon; it guarantees exceptional strength and lifetime. Suitable for all doors.

FINISHES
White or black

PACKS
20 pcs in each pack

 **POIGNÉES**

POIGNÉE VALENTINA 455
Légère de par son poids et sa forme. Une poignée simple, réduite à l'essentiel mais qui ne perd pas sa fonctionnalité au fil du temps.

POIGNÉE GLORIA 457
Produite intégralement en nylon, elle garantit une solidité exceptionnelle et une longue vie. S'adapte à tous les types de porte.

FINITIONS
Blanc ou noir

EMBALLAGES
20 pièces par boîte

Maniglie

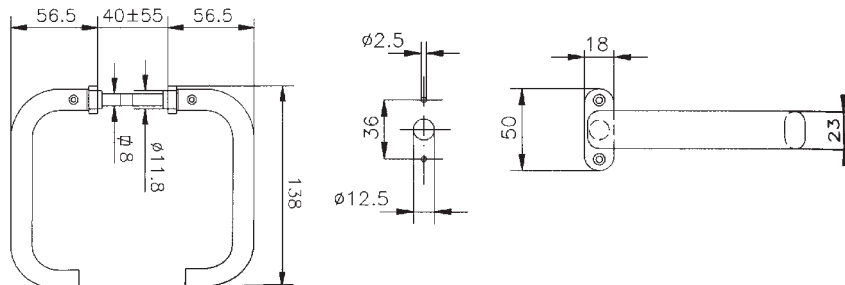


456

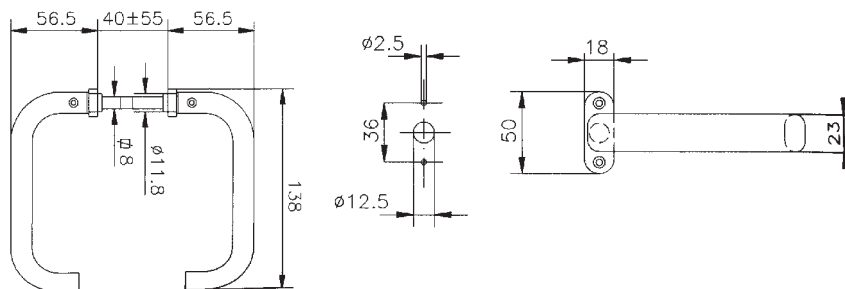


456/1

ART.	Descrizione profilati/Description of sections/Type of profilé
456	MANIGLIA ALICE



ART.	Descrizione profilati/Description of sections/Type of profilé
456/1	MANIGLIA ALICE BIS



MANIGLIE

MANIGLIA 456 ALICE e 456/1 ALICE BIS
Prodotta completamente in nylon, garantisce un'eccezionale solidità e durata nel tempo. Adatta ad ogni tipo di porta.

FINITURE
Bianco o nero.

CONFEZIONI
20 pz per confezione

HANDLES

456 ALICE and 456/1 ALICE BIS HANDLE
Completely made of nylon; it guarantees exceptional strength and lifetime. Suitable for all doors.

FINISHES
White or black

PACKS
20 pcs in each pack

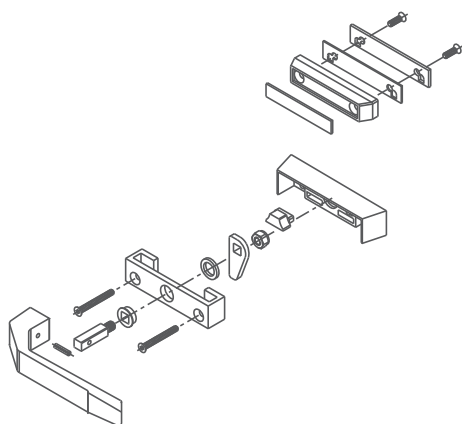
POIGNÉES

POIGNÉE 456 ALICE et 456/1 ALICE BIS
Produite intégralement en nylon, elle garantit une solidité exceptionnelle et une longue vie. S'adapte à tous les types de porte.

FINITIONS
Blanc or noir

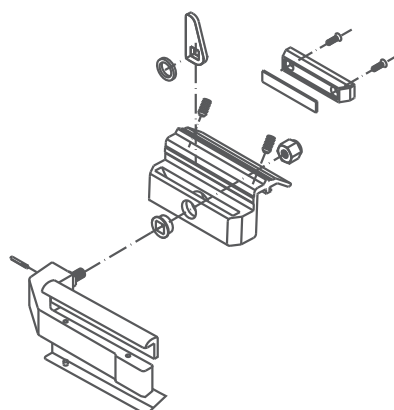
EMBALLAGES
20 pièces par boîte

ART.	Descrizione profilati/Description of sections/Type of profilé
460	TAVELLINO LEO



460

ART.	Descrizione profilati/Description of sections/Type of profilé
461	TAVELLINO PER R40/50



461

MANIGLIE

TAVELLINO LEO 460

È particolarmente adatto per finestre a sporgere o a bilico, i materiali utilizzati garantiscono sicurezza e stabilità nel funzionamento.

Materiali e componenti: maniglia e cassa in alluminio estruso - 1 nasello in acciaio zincato - 1 rondella in nylon - viti zincate - spessori in nylon 66 - 1 quadro in acciaio zincato

TAVELLINO PER R40/50 461

È particolarmente adatto per finestre a sporgere o a bilico, i materiali utilizzati garantiscono sicurezza e stabilità nel funzionamento. Questo articolo è adattabile solo al profilo R 40/50 fissaggi con grani inox.

Materiali e componenti: maniglia e cassa in alluminio estruso - coprimanico in nylon caricato con fibra di vetro - 2 grani inox - 1 nasello in acciaio zincato - 1 rondella in nylon - 1 quadro in acciaio zincato

FINITURE

Anodizzato: argento, bronzo, elettrocolore, elox nero.

Verniciato: Ral standard vedi tabella colori

Speciali: Oro

CONFEZIONI

20 pz per confezione

HANDLES

TAVELLINO LEO 460

It is particularly suitable for windows that project or swing; the materials used guarantee safety and stability of use.

Materials and components: handle and casing in aluminium extruded - 1 galvanised steel prong - 1 nylon washer - galvanised steel screws - shims in nylon 66 - 1 galvanised steel panel

TAVELLINO HANDLE FOR R40/50 461

It is particularly suitable for awning or pivot windows; the materials adopted guarantee safety and stable operation. This item is only adaptable to profile R 40/50 using stainless steel dowels for fixing.

Materials and components: handle and casing in aluminium extruded - handle cover in fibreglass reinforced nylon - 2 stainless steel dowels - 1 galvanised steel prong - 1 nylon washer - 1 galvanised steel panel

FINISHES

Anodized: silver, bronze, electro colour, black elox

Ral: standard, colour chart

Specials: gold

PACKS

20 pcs in each pack

POIGNÉES

TAVELLINO LEO 460

Batteuse indiquée pour fenêtres à projection et pivotantes application très simple et rapide étanchéité parfaite.

Matériaux et composants: poignée et caisse en aluminium extrudé - 1 mentonnet en acier zingué - 1 rondelle en nylon - vis en acier zingué - épaisseurs en nylon 66 - 1 cadre en acier zingué

POIGNÉE BATTEUSE POUR R40/50 461

Particulièrement adaptée aux fenêtres à l'italienne ou basculantes, les matériaux utilisés garantissent la sécurité et la stabilité lors du fonctionnement. Cet article est uniquement adaptable au profil R 40/50 fixages avec boulons inox.

Matériaux et composants: poignée et caisse en aluminium extrudé - couvre-poignée en nylon chargé avec fibre de verre - 2 boulons inox - 1 mentonnet en acier zingué - 1 rondelle en nylon - 1 cadre en acier zingué

FINITIONS

Anodisés: argent, bronze, couleur électrique, elox noir

Ral: standard, tableau des couleurs

Speciale: or

EMBALLAGES

20 pièces par boîte

Maniglie

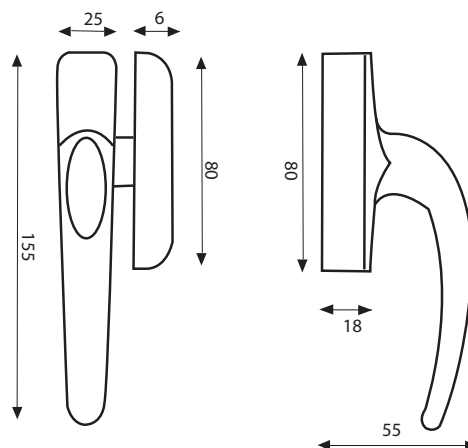


463

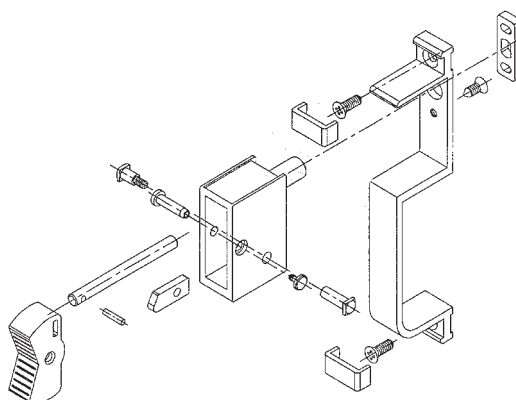


600
600/60

ART.	Descrizione profilati/Description of sections/Type of profilé
463	Tavellino Europa



ART.	Descrizione profilati/Description of sections/Type of profilé
600	Maniglia a pulsante per scorrevole
600/60	Maniglia a pulsante per export 60



MANIGLIE

TAVELLINO EUROPA 463

Applicazione esterna per la chiusura di finestra a sporgere e a bilico. La linea di questa maniglia entra in sintonia con il design arrotondato di tutta la gamma dei prodotti.

Materiali e componenti: manico, cassa e base d'appoggio in alluminio - nasello in acciaio zincato - viti zincate

MANIGLIA A PULSANTE 600-600/60

Per la chiusura centrale di porte e finestre scorrevoli in alluminio.

Materiali e componenti: manico in alluminio estruso - coprimanico in nylon caricato con fibra di vetro - 1 perno in acciaio zincato - viti zincate - copriviti in nylon

FINITURE

Anodizzato: argento, bronzo, elettrocolore, elox nero.

Verniciato: Ral standard vedi tabella colori

Speciali: Oro

CONFEZIONI

20 pz per confezione

HANDLES

EUROPA 463 TAVELLINO HANDLE

For external application to close awning and pivoting windows. The line of this handle is in harmony with the rounded design of this range of products.

Materials and components: handle, casing and lateral base in aluminium extruded - 1 galvanised steel prong - galvanised steel screws

BUTTON HANDLE 600-600/60

For central closure of aluminium sliding doors and windows.

Materials and components: handle in aluminium extruded - handle cover in fibreglass reinforced nylon - 1 galvanised steel pin - galvanised steel screws - screws cover in nylon

FINISHES

Anodized: silver, bronze, electro colour, black elox

Ral: standard, colour chart

Specials: gold

PACKS

20 pcs in each pack

POIGNÉES

POIGNÉE BATTEUSE EUROPA 463

Application extérieure pour la fermeture de fenêtre à l'italienne et basculante. La ligne de cette poignée est en harmonie avec le design arrondi de toute la gamme de produits.

Matériaux et composants: poignée, caisse et base latérale en aluminium extrudé - 1 mentonnet en acier zingué - vis en acier zingué.

POIGNÉE A TOUCHE 600-600/60

Pour la fermeture centrale de portes et fenêtres coulissantes en aluminium.

Matériaux et composants: poignée en aluminium extrudé - couvre-poignée en nylon chargé avec fibre de verre - 1 axe en acier zingué - vis en acier zingué - couvre-vis en nylon.

FINITIONS

Anodisées: argent, bronze, couleur électrique, elox noir

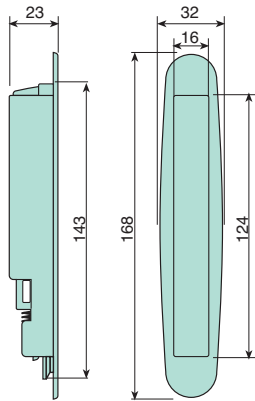
Ral: standard, tableau des couleurs

Speciale: or

EMBALLAGES

20 pièces par boîte

ART.	Descrizione profilati/Description of sections/Type of profilé
610	Maniglia a vaschetta per scorrevole in nylon

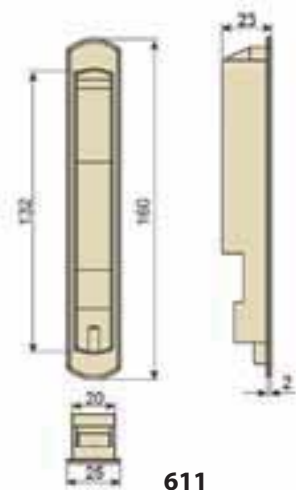


610

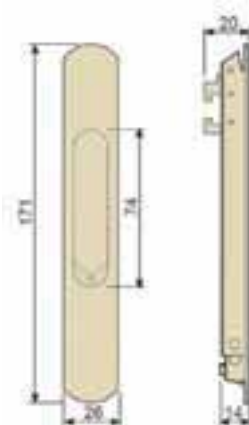


610

ART.	Descrizione profilati/Description of sections/Type of profilé
611	Maniglia a vaschetta in alluminio per finestra scorrevole
612	Maniglia a vaschetta per scorrevole in alluminio/nylon



611



612



611



612



MANIGLIE

610
Maniglia a vaschetta per scorrevole ad incasso
(corpo e leva in nylon)
Colore: nero

611
Maniglia a vaschetta in alluminio per finestra
scorrevole
(corpo e leva in alluminio)
Serie: EXPORT, NC60
Colori: Ral 9005, Ral 9010, Ral 1013

612
Maniglia a vaschetta per scorrevole
(alluminio/nylon)
Colori: Ral 9005, Ral 9010, Ral 1013



HANDLES

610
Handle for sliding to be embedded
(body and control lever in nylon)
Colour: black

611
Handle for sliding to be embedded
(body and control lever in aluminium)
Serie: Export, NC60
Colours: Ral 9005, Ral 9010, Ral 1013

612
Handle for sliding (aluminium/nylon)
Colours: RAL 9005 - RAL 9010 - RAL 1013



POIGNÉES

610
Poignée à barquette pour coulissantes
(corps et levier en nylon)
Couleur: noir

611
Poignée encastrable pour coulissantes
(corps et levier en aluminium)
Séries: Export, NC 60
Couleurs: RAL 9005 - RAL 9010 - RAL 1013

612
Poignée pour coulissantes (aluminium/nylon)
Couleurs: RAL 9005 - RAL 9010 - RAL 1013

Maniglie

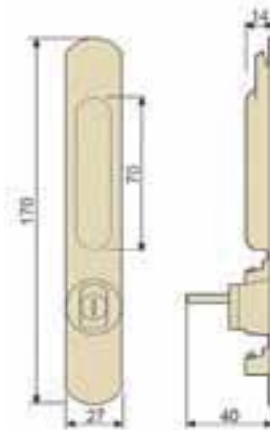


613

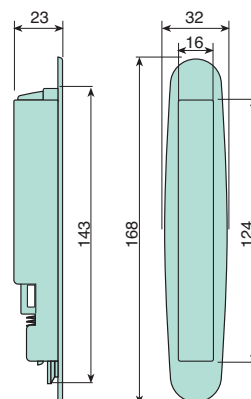


614

ART.	Descrizione profilati/Description of sections/Type of profilé
613	Maniglia a vaschetta con chiave



ART.	Descrizione profilati/Description of sections/Type of profilé
614	Maniglia a vaschetta con sede in zama e cursore in alluminio con chiave



MANIGLIE

613
Maniglia per scorrevole con chiave (alluminio/nylon)
Colori: RAL 9005 - RAL 9010 - RAL 1013

614
Maniglia a vaschetta per scorrevole con chiave, corpo in zama e leva in alluminio.
Colori: tabella colori Ral standard



HANDLES

613
Handle for sliding with key (aluminium/nylon)
Colours: RAL 9005 - RAL 9010 - RAL 1013

614
Embedding handle for sliding with key, body in Zamak and control lever in aluminium
Colours: RAL standard colours

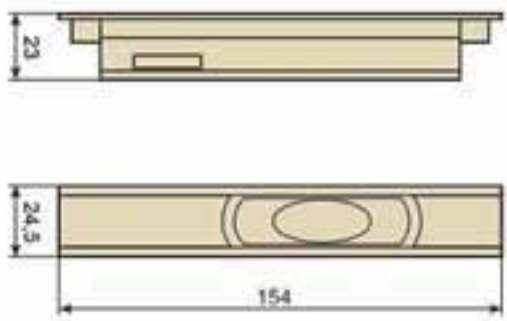


POIGNÉES

613
Poignée pour coulissantes (aluminium/nylon)
Couleurs: RAL 9005 - RAL 9010 - RAL 1013

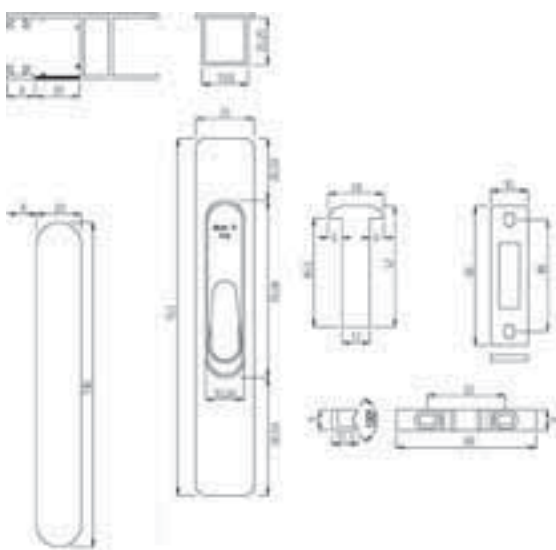
614
Poignée encastrable pour portes et fenêtres coulissantes avec clé, corps en zamak et levier en aluminium.
Couleurs : tableau des couleurs Ral standard

ART.	Descrizione profilati/Description of sections/Type of profilé
620	Maniglia per scorrevole "ARABIA" ad incasso laterale - corpo in alluminio e leva in nylon.



620

ART.	Descrizione profilati/Description of sections/Type of profilé
621	Maniglia ad incasso per chiusure laterali in serramenti scorrevoli
622	Maniglia ad incasso per chiusure laterali in serramenti scorrevoli



621



622



MANIGLIE

620
Maniglia per scorrevole "ARABIA" ad incasso laterale - corpo in alluminio e leva in nylon.

621
Maniglia ad incasso per chiusure laterali in serramenti scorrevoli - corpo in alluminio meccanismi in zama. Reversibile

SERIE
All.co export 60S,
NC 60 International,
Skeit 60, slide 60 Colours: Ral 9005, Ral 9010, Ral 1013

622
Maniglia ad incasso per chiusure laterali nei serramenti scorrevoli. Differisce dal modello 621 nella parte della leva di comando. Quest'ultima ora è completamente piana ed in linea con il corpo della maniglia. Il corpo e la leva di comando sono in alluminio, i meccanismi di movimentazione sono in zama. E' reversibile

FINITURE
RAL:9005-9010-1013



HANDLES

620
Handle for sliding "ARABIA" with sidelong embedding (body in aluminium and control lever in nylon)

621
Flush-mounted handle for side-locks on sliding windows. Body and control lever in aluminium, mechanism in Zamak. It is reversible

SERIE
All.co export 60S,
NC 60 International,
Skeit 60, slide 60 Colours: Ral 9005, Ral 9010, Ral 1013

622
This handle has a different control lever from the 621 model. It is now completely flat and flush with the body of the handle. The body and the control lever are aluminium while the mechanisms are made from zamak. It is reversible.

FINISHES
RAL:9005-9010-1013



POIGNÉES

620
Poignée "ARABIA" pour coulissantes avec encastrement latérale (corps en aluminium et levier en nylon)

621
Poignée pour coulissantes avec encastrement latérale (corps et levier en aluminium)

SERIE
All.co export 60S,
NC 60 International,
Skeit 60, slide 60 Colours: Ral 9005, Ral 9010, Ral 1013

622
Poignée coulissantes avec encastrement latérale (corps et levier en aluminium)

FINITIONS
RAL:9005-9010-1013

Maniglie



400/1

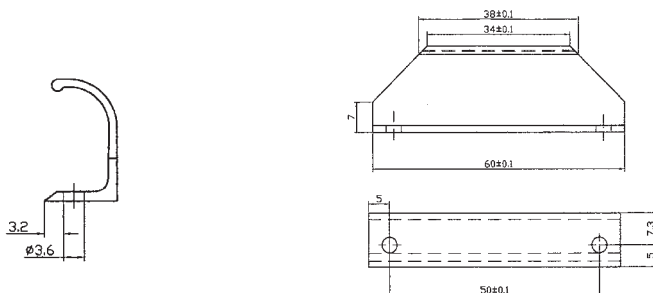


400/2

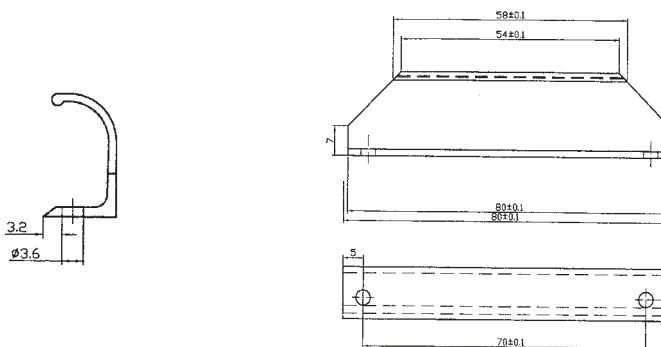


400/3

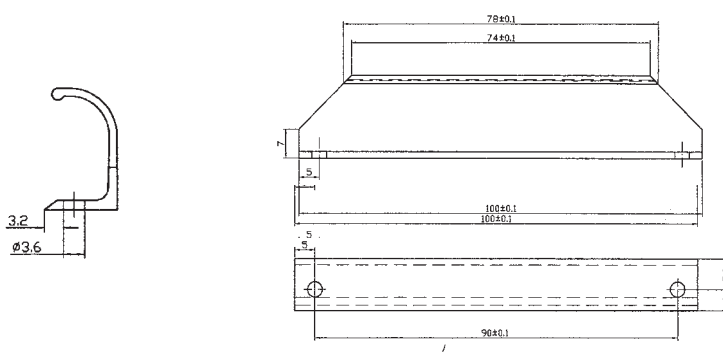
ART.	Descrizione profilati/Description of sections/Type of profilé
400/1	Maniglia L.60



ART.	Descrizione profilati/Description of sections/Type of profilé
400/2	Maniglia L.80



ART.	Descrizione profilati/Description of sections/Type of profilé
400/3	Maniglia L.100



MANIGLIE

Maniglia realizzata in alluminio da estruso, viene utilizzata su qualsiasi tipo di apertura. L'applicazione facilitata consente un rapido utilizzo.



HANDLES

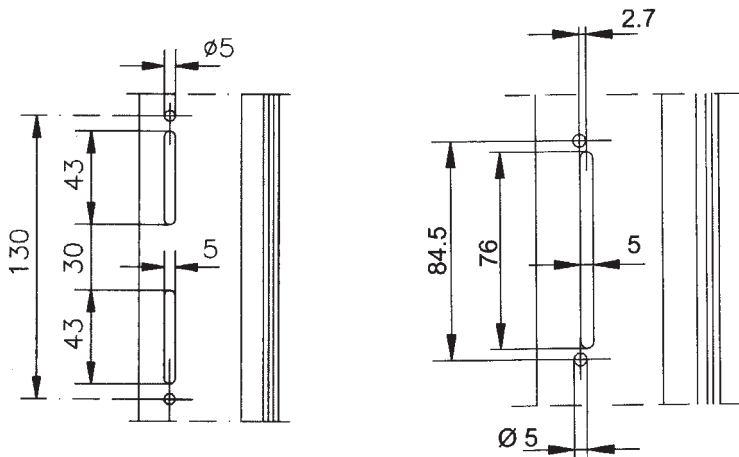
Made of extruded aluminium, suitable for all types of openings. Easy application for simple use.



POIGNÉES

Réalisée en aluminium extrudé, elle peut être adaptée à tous les types d'ouverture. Facile à appliquer.

Cremonesi e Maniglie



217/1

ART. Descrizione profilati/Description of sections/Type of profilé

217/1	Cremonese/ Cremonese/ Crémone STEFY int.130 rip.plastica/plastic/plastique
217/2	Cremonese/ Cremonese/ Crémone STEFY int.130 rip.legno/wood/bois
217/3	Cremonese/ Cremonese/ Crémone STEFY int.104 rip.plastica/plastic/plastique
217/4	Cremonese/ Cremonese/ Crémone STEFY int.104 rip.legno/wood/bois
211	Cremonese/ Cremonese/ Crémone ASTRA
211/1	Cremonese/ Cremonese/ Crémone PIANETA
212	Doppia maniglia/ Double handle/ Double poignée VERONICA con base rettangolare/ with rectangular base/ avec base rectangulaire
212/1	Doppia maniglia/ Double handle/ Double poignée VERONICA con base arrotondata/ with rounded base/ avec base arrondie
213/1	Doppia maniglia/ Double handle/ Double poignée STEFY con base rettangolare e inserti in nylon/ with rectangular base and nylon inserts/ avec base rectangulaire et plaquettes en nylon
213/2	Doppia maniglia/ Double handle/ Double poignée STEFY con base rettangolare e inserti in legno/ with rectangular base and wood inserts/ avec base rectangulaire et plaquettes en bois
213/3	Doppia maniglia/ Double handle/ Double poignée STEFY con base arrotondata e inserti in nylon/ with rounded base and nylon inserts/ avec base arrondie et plaquettes en nylon



217/2

CREMONESI

Linea innovata, gli inserti applicati consentono il giusto abbinamento alle varianti di colorazione dei profili anche su quelli effetto legno. Gli inserti possono essere in nylon di tutte le colorazioni e legno chiaro o scuro. Cremonese ambidestra corsa 18 mm per interno con scatto di posizionamento a 90° tramite camma in derlin e molla elicoidale. Manico e cassa in alluminio pressofuso, meccanismi in zama. Boccola e fondo realizzati in nylon. Interassi di fissaggio: 130, 130 (NC/GR 9), 104, 98, 84,5. Queste cremonesi sono adatte per tutti gli interessi di lavorazione più diffusi, sia per sistemi a giunto aperto che tradizionale.

FINITURE

Verniciato: ral standard vedi tabella colori.
Speciali: ottonata

CONFEZIONI

20 pz. per confezione

CREMONE HANDLE

Renewed line; thanks to the inserts applied it can be matched to the different colours of the profiles even wood effect ones. Inserts can be in all colours in nylon or dark or light wood. This cremone handle is an ambidexter. Only for inside opening. With release of positioning to 90° through the derlin cam and helicoidal spring. Grip and cover are in extruded aluminium. Mechanism in stamped metal, bottom cover in nylon. Centre distance fixing: 130, 130 (NC/GR 9), 104, 98, 84,5. This handle is suitable for open joint systems as for traditional systems. The cremone

FINISHES

Ral: standard colour chart
Specials: brass

PACKS

20 cremones each pack

POIGNÉE CRÉMONE

Ligne innovante, les plaquettes permettent le juste assortiment aux variantes de teinte des profils même sur ceux avec effet bois. Les plaquettes peuvent être en nylon de toutes les teintes et en bois clair ou foncé. Ce Cremonese est ambidextre. Est seulement pour l'ouverture interne. Avec déclenchement de positionnement de 90° avec la came en derlin et la ressort hélicoïdal. Poignée et chasse cont en aluminium sous pressofusion. Mécanisme en zamak, le fond de cloture en nylon. Entraxe de fixation: Ce cremones est applicable sur toutes les series a joint ouvert aussi bien que sur series traditionnelles. Est adaptés a entraxe de mm. 130, 130 (NC/GR 9), 104, 98, 84,5. Pour NC et GR 9: en dotation degree en nylon de 4 e 5 mm.

FINITION

Ral: standard, tableau des couleurs
Spécial: laiton

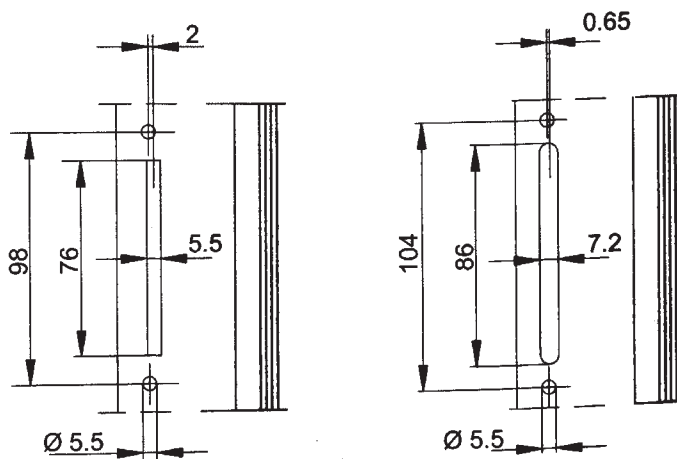
EMBALLAGES

20 pièces par boîte

Cremonesi e Maniglie



217/3



217/4

ART.	Descrizione profilati/Description of sections/Type of profilé
217/1	Cremonese/ Cremonese/ Crémone STEFY int.130 rip.plastica/ plastic/plastique
217/2	Cremonese/ Cremonese/ Crémone STEFY int.130 rip.legno/wood/ bois
217/3	Cremonese/ Cremonese/ Crémone STEFY int.104 rip.plastica/ plastic/plastique
217/4	Cremonese/ Cremonese/ Crémone STEFY int.104 rip.legno/wood/ bois
211	Cremonese/ Cremonese/ Crémone ASTRA
211/1	Cremonese/ Cremonese/ Crémone PIANETA
212	Doppia maniglia/ Double handle/ Double poignée VERONICA con base rettangolare/ with rectangular base/ avec base rectangulaire
212/1	Doppia maniglia/ Double handle/ Double poignée VERONICA con base arrotondata/ with rounded base/ avec base arrondie
213/1	Doppia maniglia/ Double handle/ Double poignée STEFY con base rettangolare e inserti in nylon/ with rectangular base and nylon inserts/ avec base rectangulaire et plaquettes en nylon
213/2	Doppia maniglia/ Double handle/ Double poignée STEFY con base rettangolare e inserti in legno/ with rectangular base and wood inserts/ avec base rectangulaire et plaquettes en bois
213/3	Doppia maniglia/ Double handle/ Double poignée STEFY con base arrotondata e inserti in nylon/ with rounded base and nylon inserts/ avec base arrondie et plaquettes en nylon

CREMONESI

Linea innovata, gli inserti applicati consentono il giusto abbinamento alle varianti di colorazione dei profili anche su quelli effetto legno. Gli inserti possono essere in nylon di tutte le colorazioni e legno chiaro o scuro. Cremonese ambidestra corsa 18 mm per interno con scatto di posizionamento a 90° tramite camma in derlin e molla elicoidale. Manico e cassa in alluminio presso fuso, meccanismi in zama. Boccola e fondo realizzati in nylon. Interassi di fissaggio: 130, 130 (NC/GR 9), 104, 98, 84,5. Queste cremonesi sono adatte per tutti gli interassi di lavorazione più diffusi, sia per sistemi a giunto aperto che tradizionale.

FINITURE

Verniciato: ral standard vedi tabella colori.
Speciali: ottonata

CONFEZIONI

20 pz. per confezione

CREMONE HANDLE

Renewed line; thanks to the inserts applied it can be matched to the different colours of the profiles even wood effect ones. Inserts can be in all colours in nylon or dark or light wood. This cremone handle is an ambidexter. Only for inside opening. With release of positioning to 90° through the derlin cam and helicoidal spring. Grip and cover are in extruded aluminium. Mechanism in stamped metal, bottom cover in nylon. Centre distance fixing: 130, 130 (NC/GR 9), 104, 98, 84,5. This handle is suitable for open joint systems as for traditional systems. The cremone

FINISHES

Ral: standard colour chart
Specials: brass

PACKS

20 cremones each pack

POIGNÉE CRÉMONE

Ligne innovante, les plaquettes permettent le juste assortiment aux variantes de teinte des profils même sur ceux avec effet bois. Les plaquettes peuvent être en nylon de toutes les teintes et en bois clair ou foncé. Ce Cremonese est ambidextre. Est seulement pour l'ouverture interne. Avec déclenchement de positionnement de 90° avec la came en derlin et la ressort hélicoïdal. Poignée et chasse cont en aluminium sous pressofusion. Mécanisme en zamak, le fond de cloture en nylon. Entraxe de fixation: Ce cremones est applicable sur toutes les series a joint ouvert aussi bien que sur series traditionnelles. Est adaptes a entraxe de mm. 130, 130 (NC/GR 9), 104, 98, 84,5. Pour NC et GR 9: en dotation degre en nylon de 4 e 5 mm.

FINITION

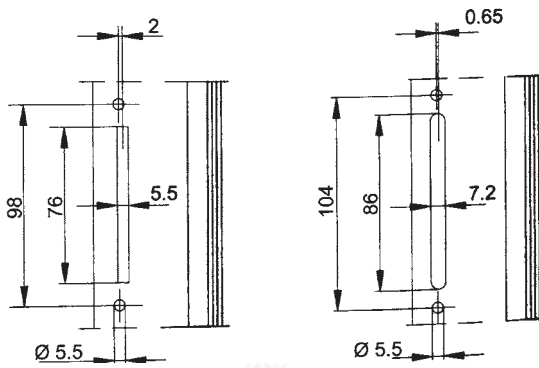
Ral: standard, tableau des couleurs
Spécial: laiton

EMBALLAGES

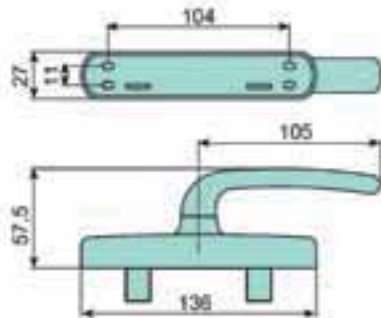
20 pièces par boîte

Cremonesi e Maniglie

211



211/1



211



211/1

ART.	Descrizione proiettati/Description of sections/ type of profilé
217/1	Cremonese/ Cremonese/ Crémone STEFY int.130 rip.plastica/plastic/plastique
217/2	Cremonese/ Cremonese/ Crémone STEFY int.130 rip.legno/wood/bois
217/3	Cremonese/ Cremonese/ Crémone STEFY int.104 rip.plastica/plastic/plastique
217/4	Cremonese/ Cremonese/ Crémone STEFY int.104 rip.legno/wood/bois
211	Cremonese/ Cremonese/ Crémone ASTRA
211/1	Cremonese/ Cremonese/ Crémone PIANETA
212	Doppia maniglia/ Double handle/ Double poignée VERONICA con base rettangolare/ with rectangular base/ avec base rectangulaire
212/1	Doppia maniglia/ Double handle/ Double poignée VERONICA con base arrotondata/ with rounded base/ avec base arrondie
213/1	Doppia maniglia/ Double handle/ Double poignée STEFY con base rettangolare e inserti in nylon/ with rectangular base and nylon inserts/ avec base rectangulaire et plaquettes en nylon
213/2	Doppia maniglia/ Double handle/ Double poignée STEFY con base rettangolare e inserti in legno/ with rectangular base and wood inserts/ avec base rectangulaire et plaquettes en bois
213/3	Doppia maniglia/ Double handle/ Double poignée STEFY con base arrotondata e inserti in nylon/ with rounded base and nylon inserts/ avec base arrondie et plaquettes en nylon



CREMONESI

211 - Cremonese ambidestra corsa 18 mm per interno con scatto di posizionamento a 90° tramite camma in derlin e molla elicoidale. Manico e cassa in alluminio presso fuso, meccanismi in zama. Boccola e fondo realizzati in nylon.

211/1 - Cremonese ambidestra da 22 e 27 mm per apertura interna ed esterna. Manico e cassa in alluminio presso fuso, meccanismi in zama. Boccola e fondo realizzati in nylon.

Interassi di fissaggio: 130, 130 (NC/GR 9), 104, 98, 84,5. Queste cremonesi sono adatte per tutti gli interassi di lavorazione più diffusi, sia per sistemi a giunto aperto che tradizionale.

FINITURE

Verniciato: ral standard vedi tabella colori.
Speciali: ottonata

CONFEZIONI

20 pz. per confezione



CREMONE HANDLE

211 - This cremonese handle is an ambidexter. Only for inside opening. With release of positioning to 90° through the derlin cam and helicoidal spring.

211/1 - Cremonese boit PIANETA for inward and outward opening (both hands) of 22 and 27 mm. Grip and cover are in extruded aluminium. Mechanism in stamped metal, bottom cover in nylon.

Centre distance fixing: 130, 130 (NC/GR 9), 104, 98, 84,5. This handle is suitable for open joint systems as for traditional systems.

FINISHES

Ral: standard colour chart
Specials: brass

PACKS

20 cremonese each pack



POIGNÉE CRÉMONE

211 - Ce Cremonese est ambidextre. Est seulement pour l'ouverture interne. Avec déclenchement de positionnement de 90° avec la came en derlin et la ressort hélicoïdale. Poignée et chasse cont en aluminium sous pressofusion. Mécanisme en zamak, le fond de cloture en nylon.

211/1 - Crémone PIANETA pour ouverture intérieure et extérieure (ambidextre) 22 et 27 mm. Poignée et chasse cont en aluminium sous pressofusion. Mécanisme en zamak, le fond de cloture en nylon.

Entraxe de fixation: Ce cremonese est applicable sur toutes les series a joint ouvert aussi bien que sur series traditionnelles. Est adaptes a entraxe de mm. 130, 130 (NC/GR 9), 104, 98, 84,5. Pour NC et GR 9: en dotation degree en nylon de 4 e 5 mm.

FINITION

Ral: standard, tableau des couleurs
Spécial: laiton

EMBALLAGES

20 pièces par boîte

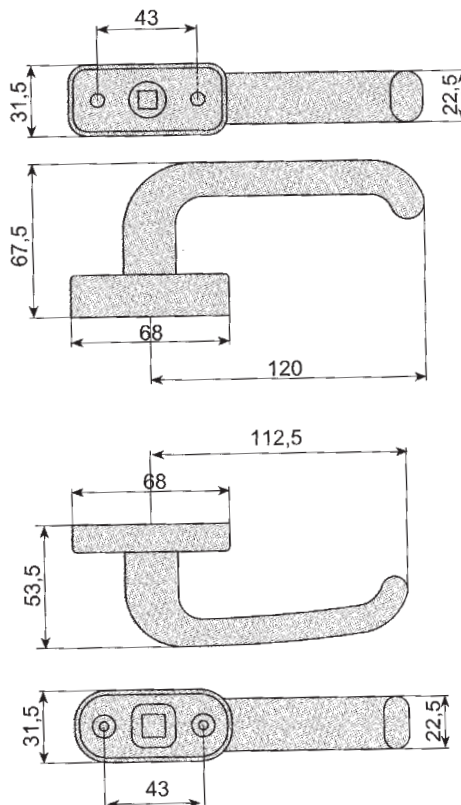
Cremonesi e Maniglie



212



212/1



212

212/1

ART.	Descrizione profilati/Description of sections/Type of profilé
217/1	Cremonese/ Cremonese/ Crémone STEFY int.130 rip.plastica/ plastic/plastique
217/2	Cremonese/ Cremonese/ Crémone STEFY int.130 rip.legno/wood/ bois
217/3	Cremonese/ Cremonese/ Crémone STEFY int.104 rip.plastica/ plastic/plastique
217/4	Cremonese/ Cremonese/ Crémone STEFY int.104 rip.legno/wood/ bois
211	Cremonese/ Cremonese/ Crémone ASTRA
211/1	Cremonese/ Cremonese/ Crémone PIANETA
212	Doppia maniglia/ Double handle/ Double poignée VERONICA con base rettangolare/ with rectangular base/ avec base rectangulaire
212/1	Doppia maniglia/ Double handle/ Double poignée VERONICA con base arrotondata/ with rounded base/ avec base arrondie
213/1	Doppia maniglia/ Double handle/ Double poignée STEFY con base rettangolare e inserti in nylon/ with rectangular base and nylon inserts/ avec base rectangulaire et plaquettes en nylon
213/2	Doppia maniglia/ Double handle/ Double poignée STEFY con base rettangolare e inserti in legno/ with rectangular base and wood inserts/ avec base rectangulaire et plaquettes en bois
213/3	Doppia maniglia/ Double handle/ Double poignée STEFY con base arrotondata e inserti in nylon/ with rounded base and nylon inserts/ avec base arrondie et plaquettes en nylon

DOPPIE MANIGLIE

Realizzate in alluminio pressofuso. La linea delle maniglie è abbinata al design delle cremonesi. Sono disponibili sia con la cassa quadra che arrotondata, e il cliente può anche scegliere fra il manico bombato interamente in alluminio oppure il manico con inserto in nylon

FINITURE

Verniciato: ral standard vedi tabella colori.
Speciali: ottonata

CONFEZIONI

20 pz. per confezione

CREMONE

Made of die-cast aluminium. The line of this product matches the design of the cremonese bolts. The models may have rounded cover and convex handle or square cover and rounded cover and handle with insert.

FINISHES

Ral: standard colour chart
Specials: brass

PACKS

20 cremonese each pack

DOUBLE POIGNÉE

Réalisée en aluminium et moulée sous pression. La ligne de ce produit est assortie au design des crémonese. Les variations dont nous pouvons disposer sont avec caisse carrée arrondie et prise bombée ou caisse carrée arrondie et prise avec plaquette.

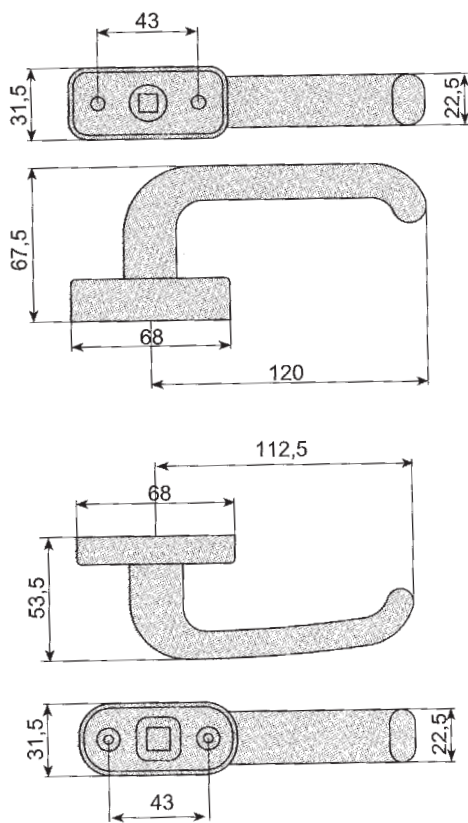
FINITION

Ral: standard, tableau des couleurs
Spécial: laiton

EMBALLAGES

20 pièces par boîte

Cremonesi e Maniglie



213/1



213/2



213/3



ART.	Descrizione profilati/Description of sections/Type of profilé
217/1	Cremonese/ Cremonese/ Crémone STEFY int.130 rip.plastica/plastic/plastique
217/2	Cremonese/ Cremonese/ Crémone STEFY int.130 rip.legno/wood/bois
217/3	Cremonese/ Cremonese/ Crémone STEFY int.104 rip.plastica/plastic/plastique
217/4	Cremonese/ Cremonese/ Crémone STEFY int.104 rip.legno/wood/bois
211	Cremonese/ Cremonese/ Crémone ASTRA
211/1	Cremonese/ Cremonese/ Crémone PIANETA
212	Doppia maniglia/ Double handle/ Double poignée VERONICA con base rettangolare/ with rectangular base/ avec base rectangulaire
212/1	Doppia maniglia/ Double handle/ Double poignée VERONICA con base arrotondata/ with rounded base/ avec base arrondie
213/1	Doppia maniglia/ Double handle/ Double poignée STEFY con base rettangolare e inserti in nylon/ with rectangular base and nylon inserts/ avec base rectangulaire et plaquettes en nylon
213/2	Doppia maniglia/ Double handle/ Double poignée STEFY con base rettangolare e inserti in legno/ with rectangular base and wood inserts/ avec base rectangulaire et plaquettes en bois
213/3	Doppia maniglia/ Double handle/ Double poignée STEFY con base arrotondata e inserti in nylon/ with rounded base and nylon inserts/ avec base arrondie et plaquettes en nylon

DOPPIE MANIGLIE

Realizzate in alluminio pressofuso. La linea delle maniglie è abbinata al design delle cremonesi. Sono disponibili sia con la cassa quadra che arrotondata, e il cliente può anche scegliere fra il manico bombato interamente in alluminio oppure il manico con inserto in nylon.

FINITURE

Verniciato: ral standard vedi tabella colori.
Speciali: ottonata

CONFEZIONI

20 pz. per confezione

CREMONE

Made of die-cast aluminium. The line of this product matches the design of the cremonese bolts. The models may have rounded cover and convex handle or square cover and rounded cover and handle with insert.

FINISHES

Ral: standard colour chart
Specials: brass

PACKS

20 cremonese each pack

DOUBLE POIGNÉE

Réalisée en aluminium et moulée sous pression. La ligne de ce produit est assortie au design des crémonese. Les variations dont nous pouvons disposer sont avec caisse carrée arrondie et prise bombée ou avec caisse carrée arrondie et prise avec plaquette.

FINITION

Ral: standard, tableau des couleurs
Spécial: laiton

EMBALLAGES

20 pièces par boîte

Accessori Cremonesi-Maniglie



1047



1048



1052



1050



1051



1053



870
870/2



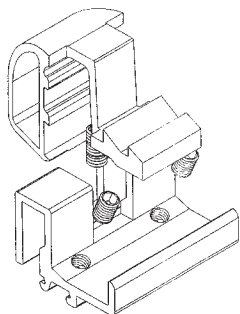
1056



1057

ART.	Descrizione/Description/Type	Serie profili/ Sect. series/Serie profilé	Confezione Pack/Emballage
1047	INCONTRO/ END PIECE SLOT/ GÂCHE IN NYLON VITE E PIASTR. INOX X C.E.	CAMERA EUROPEA	40 PZ
1048	INCONTRO/ END PIECE SLOT/ GÂCHE IN NYLON VITE AUTOFORANTE R40/50	R40 - R50	40 PZ
1050	COPPIA / PAIR OF BLOCKS/ COUPLE BLOCC. COLLEG. IN NYLON X C.E.	TUTTI PROF. G.A.	20 CP
1051	COPPIA / PAIR OF BLOCKS/ COUPLE BLOCC. COLLEG. IN NYLON X R40	R40	20 CP
1052	TERMINALE/ ROD HEAD PROFILE/ EMBOUT ASTA PROF. G.A. E.C.E.	TUTTI PROF. G.A.	40 PZ
1053	TERMINALI/ ROD HEADS/ EMBOUT ASTA PER C.E. PER PAV.	CAMERA EUROPEA	40 PZ
1056	COPPIA/ PAIR OF NYLON/ COUPLE EMBOUT TERMINALI NYLON X R40	R40	40 CP
1057	COPPIA TERMINALI/ PAIR OF NYLON HEADS/ COUPLE EMBOUT NYLON X R50	R50	40 CP
870	INCONTRO/ END PIECE SLOT/ GÂCHE IN NYLON X ALL.CO 5	ALL.CO 5	40 PZ
870/2	INCONTRO/ END PIECE SLOT/ GÂCHE IN NYLON X CAMERA EUROPEA	CAMERA EUROPEA	40 PZ

ART.	Descrizione profilati/Description of sections/Type of profilé
800	Cricchetto X ERRE 40/50



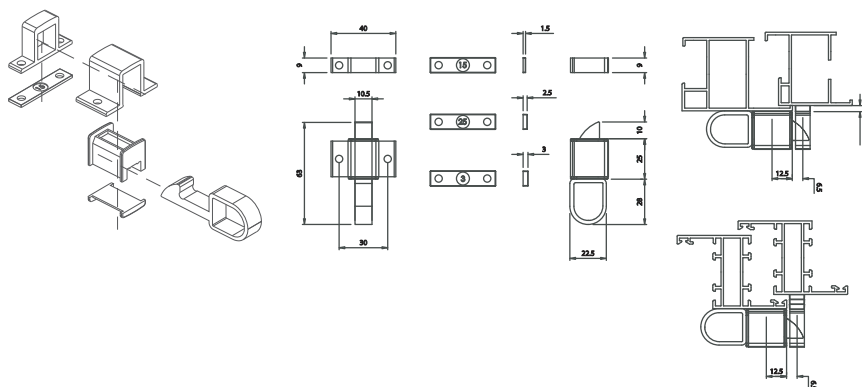
800

ART.	Descrizione profilati/Description of sections/Type of profilé
798/1	Cricchetto in nylon



798/1

ART.	Descrizione profilati/Description of sections/Type of profilé
799/1	Cricchetto universale



799/1



CRICCHETTI

CARATTERISTICHE

Chiusure di finestre a vasistas con funzionamento a scatto, di rapida applicazione e di ampia sicurezza.

CRICCHETTO 800 per R40/50

L'aggancio del cricchetto è stato studiato per essere applicato direttamente al profilo R 40/50 in quanto ha le stesse caratteristiche.

MATERIALI E COMPONENTI

Corpo in alluminio estruso, appiglio e scrocco in nylon con fibra di vetro e molla in acciaio inox.

FINITURE

Anodizzato: argento, bronzo, elettrocolore, elox nero. Verniciato: Ral standard vedi tabella colori Speciali: Oro

CRICCHETTO IN NYLON 798/1

Cricchetto completamente in nylon, di facile applicazione adatto a tutti i tipi di profili.

CRICCHETTO UNIVERSALE IN ALLUMINIO 799/1

Cricchetto completamente in alluminio, con molla di ritorno.



FINGER CATCHES

CHARACTERISTICS

Spring catch for tilt windows easy and quick assembling safety seal.

CATCH 800 for R40/50

The hooking system of the catch has been designed to be installed directly on the R 40/50 profile as it has the same characteristics.

MATERIALS AND COMPONENTS

Extruded aluminium made fiber-glass grip and latch stainless steel spring.

FINISHES

Anodized: silver, bronze, electro colour, black elox Ral: standard, colour chart Specials: gold

NYLON CATCH 798/1

Catch completely made of nylon; easy to install and suitable for all types of profiles.

UNIVERSAL ALUMINIUM CATCH 799/1

Catch made completely of aluminium with return spring.



CLIQUETS

CARACTÉRISTIQUES

Fermetures de vasistas à cliquet, rapide à appliquer et d'une grande sécurité.

CRICCHETTO 800 pour R40/50

L'accrochage du cliquet a été étudié pour être appliqué directement au profil R 40/50 car il possède les mêmes caractéristiques.

MATÉRIAUX ET COMPOSANTS

Corps en aluminium extrudé, prise et cran en nylon avec fibre de verre et ressort en acier inox.

FINITIONS

Anodisées: argent, bronze, couleur électrique, elox noir Ral: standard, tableau des couleurs Spéciale: or

CLIQUET NYLON 798/1

Cliquet complètement en nylon, facile à appliquer et adapté à tous les types de profils.

CLIQUET UNIVERSEL EN ALUMINIUM 799/1

Cliquet complètement en aluminium, avec ressort de butée.



801

ART.	Descrizione profilati/Description of sections/Type of profilé
801	Braccio di apertura vasistas in acciaio inox serie "Heavy"



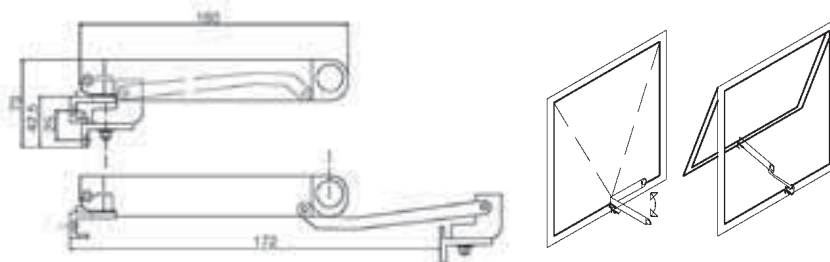
802

ART.	Descrizione profilati/Description of sections/Type of profilé
802	Braccio di apertura vasistas in acciaio inox serie "Light"



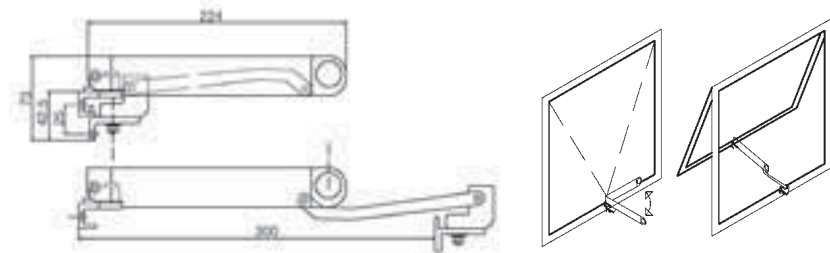
803

ART.	Descrizione profilati/Description of sections/Type of profilé
803	Braccio per finestra a sporgere corto



804

ART.	Descrizione profilati/Description of sections/Type of profilé
804	Braccio per finestra a sporgere lungo



801 - BRACCIO DI APERTURA VASISTAS IN ACCIAIO INOX Serie "HEAVY"

Larghezza base = 22 mm, 5x3 mm
Tutte le dimensioni disponibili
Materiale: AISI 304/AISI 430/AISI 410

802 - BRACCIO DI APERTURA VASISTAS IN ACCIAIO INOX Serie "LIGHT"

Larghezza base = 18 mm, 4x2 mm
Tutte le dimensioni disponibili
Materiale: AISI 304/AISI 430/AISI 410

803 - BRACCIO PER FINESTRA A SPORGERE - CORTO

Realizza la chiusura e il bloccaggio in apertura di una finestra a sporgere.
Estensione massima: 172 mm
(alluminio, acciaio inox e nylon)

804 - BRACCIO PER FINESTRA A SPORGERE - LUNGO

Realizza la chiusura e il bloccaggio in apertura di una finestra a sporgere.
Estensione massima: 300 mm
(alluminio, acciaio inox e nylon)



801 - STAINLESS STEEL FRICTION HINGES

Serie "HEAVY DUTY"
Groove width base 22 mm - 5x3 mm

All sizes available
Top Hung/Side Hung
Material: SUS 304/SUS 430/SUS 410

802 - STAINLESS STEEL FRICTION HINGES

Serie "LIGHT DUTY"
Groove width base 18 mm - 4x2 mm

All sizes available
Top Hung/Side Hung
Material: SUS 304/SUS 430/SUS 410

803 TOP HUNG WINDOW ARM - SHORT

It closes and blocks outward-opening windows in the open position.
Maximum extension: 172 mm
(aluminium, stainless steel and nylon)

804 TOP HUNG WINDOW ARM - LONG

It closes and blocks outward-opening windows in the open position.
Maximum extension: 300 mm
(aluminium, stainless steel and nylon)



801 - COMPAS D'OUVERTURE VASISTAS EN ACIER INOX Serie "HEAVY"

Largueur base = 22 mm, 5x3 mm
Toutes les dimensions disponibles
Matériau : AISI 304/AISI 430/AISI 410

802 - COMPAS D'OUVERTURE VASISTAS EN ACIER INOX Serie "LIGHT"

Largueur base = 18 mm, 4x2 mm
Toutes les dimensions disponibles
Matériau : AISI 304/AISI 430/AISI 410

803 - COMPAS POUR FENETRE A L'ITALIENNE - COURT

Effectue la fermeture et le blocage en ouverture d'une fenêtre à l'italienne.
Extension maximum : 172 mm
(aluminium, acier inox et nylon)

804 - COMPAS POUR FENETRE A L'ITALIENNE - LONG

Effectue la fermeture et le blocage en ouverture d'une fenêtre à l'italienne.
Extension maximum : 300 mm
(aluminium, acier inox et nylon)

Kit Anta Ribalta Camera Europea



CARATTERISTICHE

Il Kit per Anta Ribaltabile è composto da un meccanismo ambidestro adattabile a serramenti con larghezze comprese tra 390 mm e 1300 mm, e altezze comprese tra 550 mm e 2450 mm. Sono previsti bracci supplementari da applicare quando la larghezza è superiore a 1100 mm e chiusure supplementari quando l'altezza supera 1200 mm.

Il meccanismo è dotato inoltre di un particolare dispositivo contro le false manovre, di una sicurezza antieffrazione, vari dispositivi di regolazione, ed è caratterizzato da un montaggio che viene eseguito tramite semplici ed intuitive procedure che ne snelliscono il tempo impiegato.

Non ultima ed importante caratteristica è data dal fatto che è possibile abbinare al resto dei serramenti apribili normalmente a battente, la Cremonese LADY esteticamente uguale a quella utilizzata nel Kit.

Si evidenzia inoltre che l'altezza del gruppo cerniera è pari a 100 mm adattandosi all'estetica delle cerniere dei serramenti standard a battente.

Sono disponibili diverse versioni di kit a secondo se trattasi di aperture 1 anta finestra, 1 anta porta, 2 ante finestra, 2 ante porta.



CHARACTERISTICS

The folding flap kit includes an ambidextrous mechanism suitable for window and door with width between 390 mm to 1300 mm, and height between 550 mm and 2450 mm. Additional arms are foreseen when the width is greater than 1100 mm and additional locks when the height is over 1200 mm.

The mechanism is also fitted with a special anti-mishandling device, breaking-in prevention system and various adjustment devices; a characteristic of this product is that it can be easily mounted following simple and intuitive procedures for quick installation.

Another important feature is that it can be combined with all other hinged fixtures; the LADY cremonese is aesthetically the same as the one included in the kit.

In addition the hinge unit is 100 mm high therefore in line with the aesthetics of the hinges for standard hinge doors and windows.

The kit is available in different versions for 1-panel window, 1-panel door, 2-panel window, 2-panel door.



CARACTERISTIQUES

Le Kit pour Porte Basculante est composé d'un mécanisme fonctionnant des deux cotés adaptable aux huisseries de longueurs comprises entre 390 mm et 1300 mm, et des hauteurs comprises entre 550 mm et 2450 mm. Des compas supplémentaires sont prévus, à appliquer lorsque la largeur dépasse 1100 mm, ainsi que des fermetures supplémentaires lorsque la hauteur dépasse 1200 mm.

Par ailleurs le mécanisme est doté d'un dispositif particulier contre les fausses manœuvres, d'un système de sécurité antieffraction, de différents dispositifs de réglage, et est caractérisé par un montage effectué par le biais de procédures simples et intuitives qui en réduisent les délais.

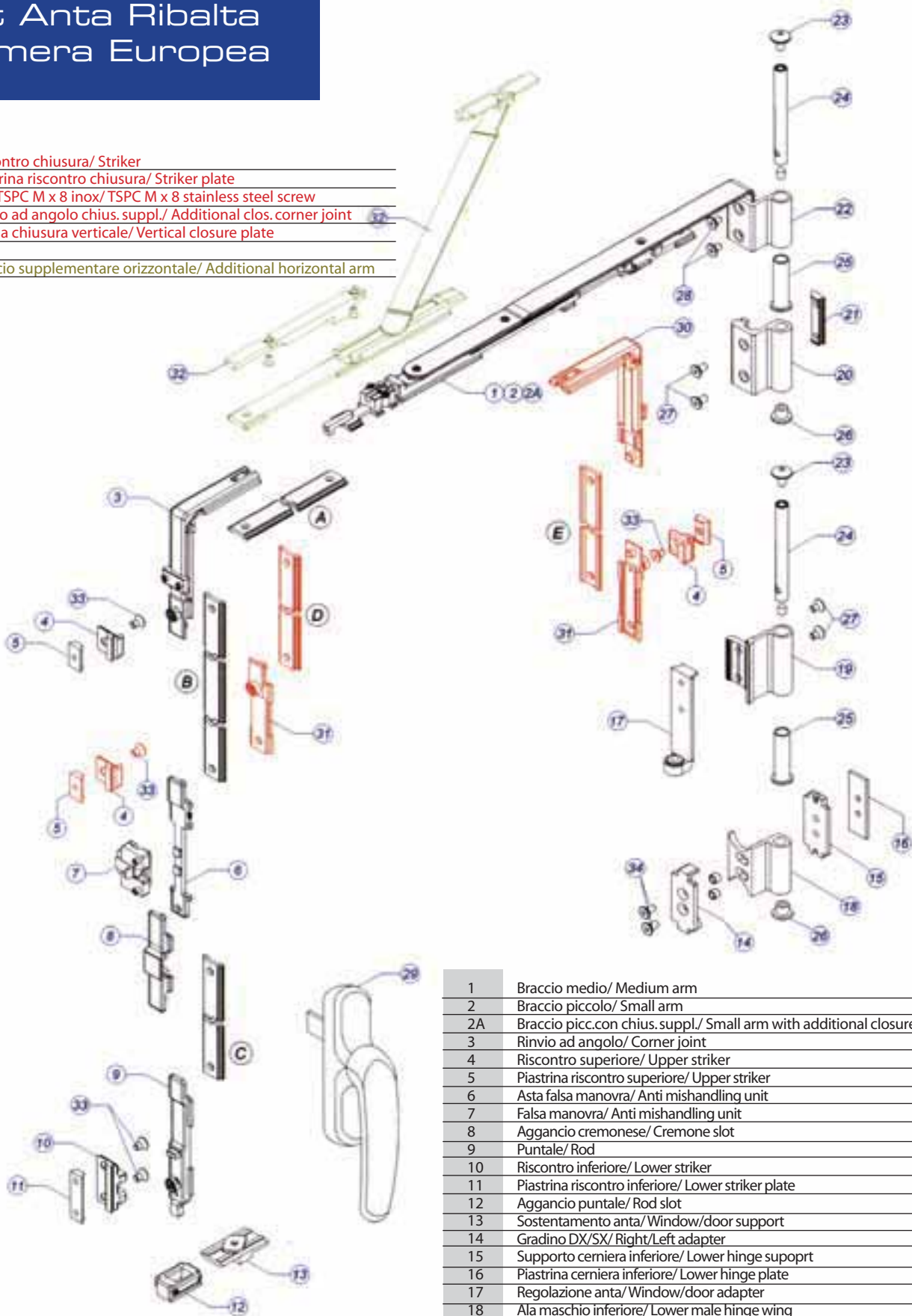
Une autre importante caractéristique est qu'il est possible d'assortir l'ensemble des huisseries normalement ouvrables à battants, la Crémone LADY esthétiquement identique à celle utilisée dans le Kit.

Par ailleurs nous soulignons que la hauteur du groupe paumelle est égal à 100 mm et s'adapte à l'esthétique des paumelles des huisseries battantes standard.

Différentes versions de kits sont disponibles selon les types d'ouvertures : 1 vantail fenêtre, 1 vantail porte, 2 vantaux fenêtre, 2 vantaux porte.

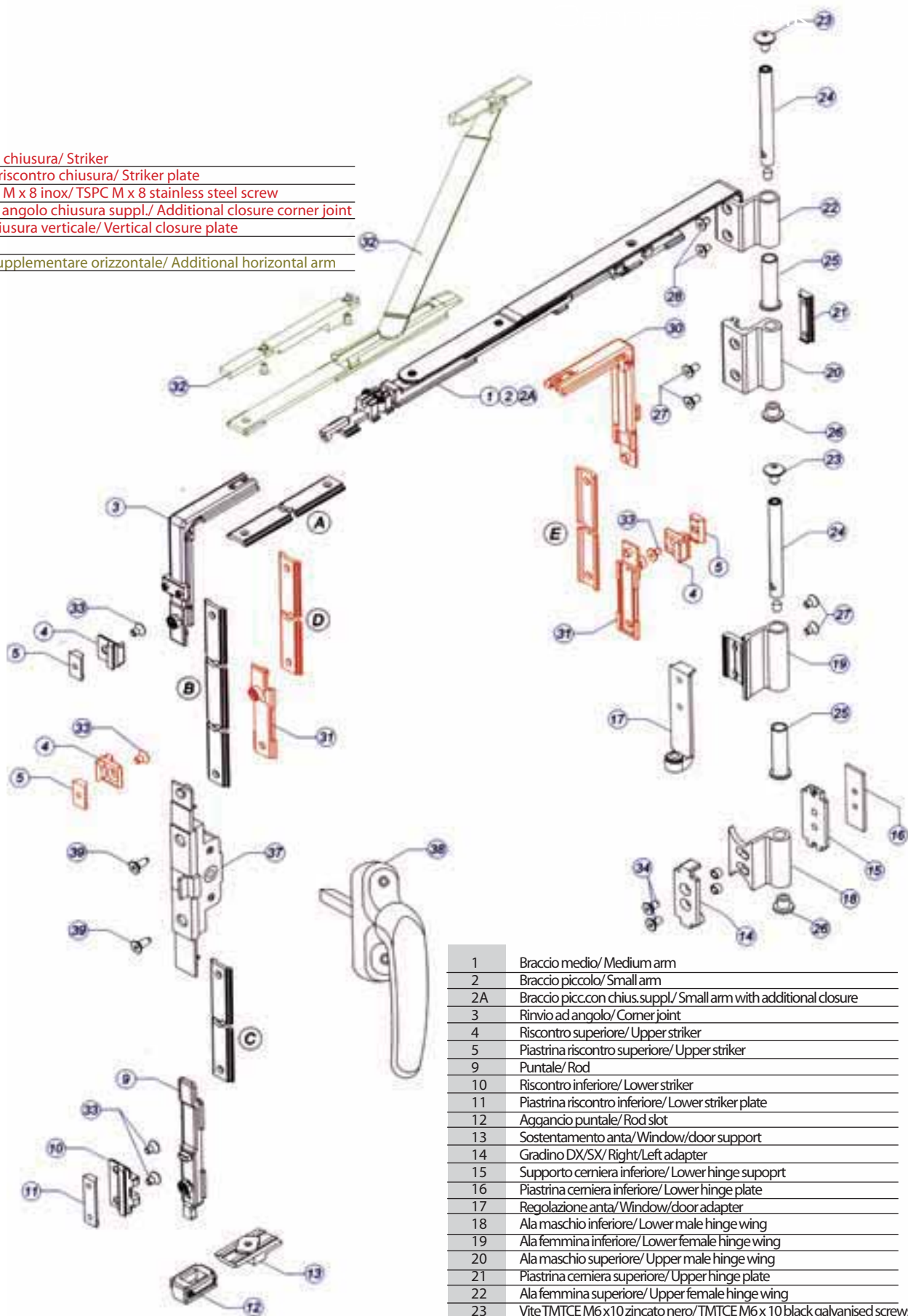
Kit Anta Ribalta Camera Europea

4	Riscontro chiusura/ Striker
5	Piastrina riscontro chiusura/ Striker plate
28	Vite TSPC M x 8 inox/ TSPC M x 8 stainless steel screw
30	Rinvio ad angolo chius. suppl./ Additional clos. corner joint
31	Astina chiusura verticale/ Vertical closure plate
32	Braccio supplementare orizzontale/ Additional horizontal arm



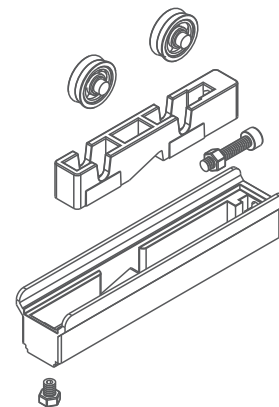
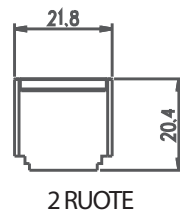
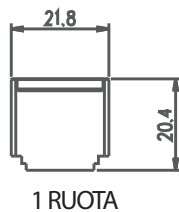
1	Braccio medio/ Medium arm
2	Braccio piccolo/ Small arm
2A	Braccio picc.con chius.suppl./ Small arm with additional closure
3	Rinvio ad angolo/ Corner joint
4	Riscontro superiore/ Upper striker
5	Piastrina riscontro superiore/ Upper striker plate
6	Asta falsa manovra/ Anti mishandling unit
7	Falsa manovra/ Anti mishandling unit
8	Aggancio cremonese/ Cremonese slot
9	Puntale/ Rod
10	Riscontro inferiore/ Lower striker
11	Piastrina riscontro inferiore/ Lower striker plate
12	Aggancio puntale/ Rod slot
13	Sostentamento anta/ Window/door support
14	Gradino DX/SX/ Right/Left adapter
15	Supporto cerniera inferiore/ Lower hinge support
16	Piastrina cerniera inferiore/ Lower hinge plate
17	Regolazione anta/ Window/door adapter
18	Ala maschio inferiore/ Lower male hinge wing
19	Ala femmina inferiore/ Lower female hinge wing
20	Ala maschio superiore/ Upper male hinge wing
21	Piastrina cerniera superiore/ Upper hinge plate
22	Ala femmina superiore/ Upper female hinge wing
23	Vite TMTCE M6 x10 zincato nero/ TMTCE M6 x 10 black galvanised screws
24	Perno inox/ Stainless steel pin
25	Boccola/ Bush
26	Tappo/ Plug
27	Vite TSPC M5 x 10 inox/ TSPC M5 x 10 Stainless steel screw
29	Cremonese LADY/ LADY Cremonese
33	Vite M5 x 6 inox/ M5 x 6 Stainless steel screw
34	Vite M5 x 14 inox/ M5 x 14 Stainless steel screw

4	Riscontro chiusura/ Striker
5	Piastrina riscontro chiusura/ Striker plate
28	Vite TSPC M x 8 inox/ TSPC M x 8 stainless steel screw
30	Rinvio ad angolo chiusura suppl./ Additional closure corner joint
31	Astina chiusura verticale/ Vertical closure plate
32	Braccio supplementare orizzontale/ Additional horizontal arm

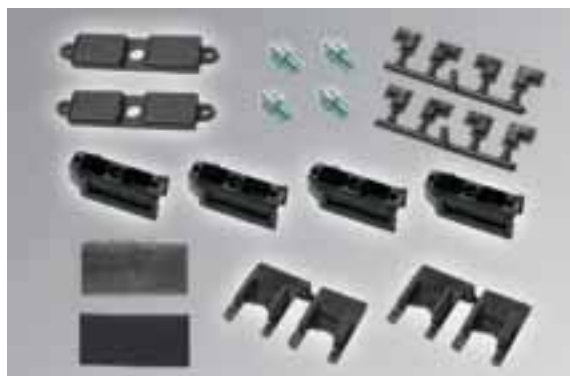


1	Braccio medio/ Medium arm
2	Braccio piccolo/ Small arm
2A	Braccio picc.con chius.suppl./ Small arm with additional closure
3	Rinvio ad angolo/ Corner joint
4	Riscontro superiore/ Upper striker
5	Piastrina riscontro superiore/ Upper striker
9	Puntale/ Rod
10	Riscontro inferiore/ Lower striker
11	Piastrina riscontro inferiore/ Lower striker plate
12	Aggancio puntale/ Rod slot
13	Sostentamento anta/ Window/door support
14	Gradino DX/SX/ Right/Left adapter
15	Supporto cerniera inferiore/ Lower hinge support
16	Piastrina cerniera inferiore/ Lower hinge plate
17	Regolazione anta/ Window/door adapter
18	Ala maschio inferiore/ Lower male hinge wing
19	Ala femmina inferiore/ Lower female hinge wing
20	Ala maschio superiore/ Upper male hinge wing
21	Piastrina cerniera superiore/ Upper hinge plate
22	Ala femmina superiore/ Upper female hinge wing
23	Vite TMTCE M6 x 10 zincato nero/ TMTCE M6 x 10 black galvanised screws
24	Perno inox/ Stainless steel pin
25	Boccola/ Bush
26	Tappo/ Plug
27	Vite TSPC M5 x 10 inox/ TSPC M5 x 10 Stainless steel screw
33	Vite M5 x 6 inox/ M5 x 6 Stainless steel screw
34	Vite M5 x 14 inox/ M5 x 14 Stainless steel screw
37	Kit movimentazione MARTELLINA/ Kit MARTELLINA
38	Maniglia MARTELLINA/ MARTELLINA Handle
39	Vite M4 x 16 inox/ M4 x 16 Stainless steel screw

Kit Carrelli

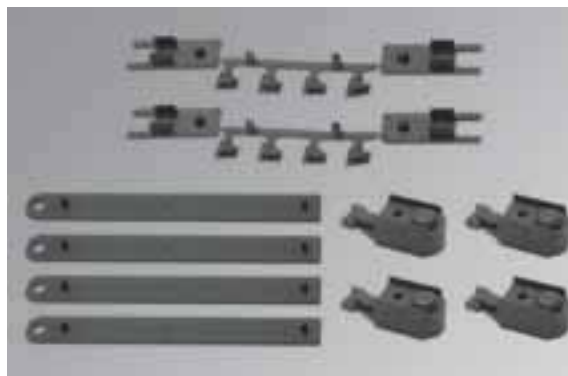


6000/1

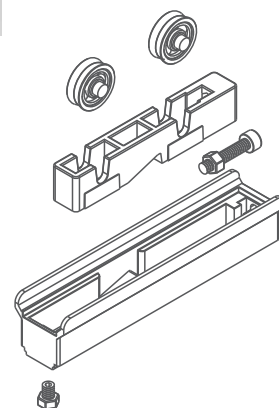
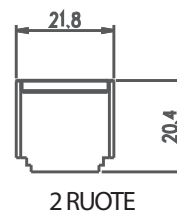
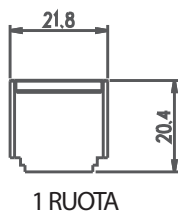


6000/2

ART.	Descrizione profilati/Description of sections/Type of profilé
6000/1	KIT CARRELLI X EXPORT 60 A 1 RUOTA/ 1-WHEEL ROLLER KIT FOR EXPORT 60/ KIT CHARIOTS POUR EXPORT 60 À 1 ROUE
6000/2	KIT CARRELLI X EXPORT 60 A 2 RUOTE/ 2-WHEELS ROLLER KIT FOR EXPORT 60/ KIT CHARIOTS POUR EXPORT 60 À 2 ROUES

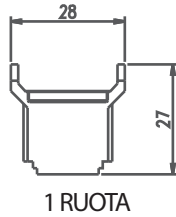


6000/3

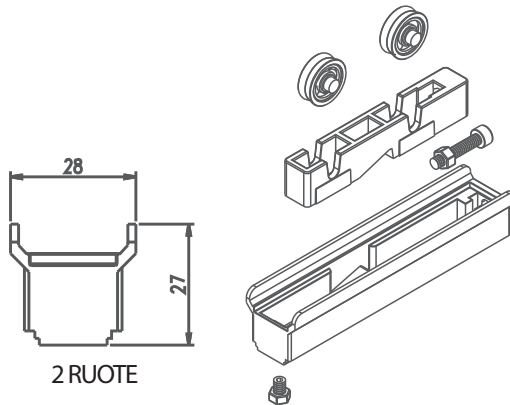


6000/4

ART.	Descrizione profilati/Description of sections/Type of profilé
6000/3	KIT CARRELLI X NC 60 INTERNATIONAL A 1 RUOTA/ 1-WHEEL ROLLER KIT FOR NC 60 INTERNATIONAL/ KIT CHARIOTS POUR NC 60 INTERNATIONAL À 1 ROUE
6000/4	KIT CARRELLI X NC 60 INTERNATIONAL A 2 RUOTE/ 2-WHEELS ROLLER KIT FOR NC 60 INTERNATIONAL/ KIT CHARIOTS POUR NC 60 INTERNATIONAL À 2 ROUES



1 RUOTA



2 RUOTE



6000/6



6000/7



ART.	Descrizione profilati/Description of sections/Type of profilé
6000/6	KIT CARRELLI REUNION A 1 RUOTA/ 1-WHEEL ROLLER KIT FOR REUNION/ KIT CHARIOTS REUNION À 1 ROUE
6000/7	KIT CARRELLI REUNION A 2 RUOTE/ 2-WHEELS ROLLER KIT FOR REUNION/ KIT CHARIOTS REUNION À 2 ROUES



KIT MONTAGGIO SCORREVOLI A 1 E A 2 RUOTE

CARATTERISTICHE

Kit completamente atermico, ruote montate su cuscinetto a sfere. Una coppia di carrelli a 1 ruota ha una portata di kg. 40, una coppia di carrelli a 2 ruote ha una portata di kg. 80.

MATERIALI E COMPONENTI

- carrelli
- dadi in ferro zincato
- grani in ferro zincato
- angolino di giunzione in nylon
- battuta
- coprilavorazione
- portaspazzolino
- spazzolino

FINITURE

Nylon nero

CONFEZIONI

10 kit per confezione



SLIDING WINDOW KIT (1 AND 2 WHEELS)

CHARACTERISTICS

The rollers have ball bearings and inside are made of a material which has a big thermal resistance. The loading capacity is 40 Kg for a couple of single rollers, and 80 Kg for a couple of double rollers.

MATERIALS AND COMPONENTS

- fibreglass rollers with bearing balls
- galvanized steel nuts
- galvanized steel pins
- connection corners
- dampers
- cover working
- antidust basses
- antidust brush

FINISHES

Black

PACKS

10 kits each box



KIT POUR FENETRES COULISSANTES (1 ET 2 ROUES)

CARACTERISTIQUES

Les chariots ont des roulements à billes et à l'intérieur sont faits d'un matériau qui a une grande résistance thermique. La capacité de chargement est de 40 kg pour un couple de chariots à 1 roue, et 80 kg pour un couple de chariots à 2 roues.

COMPONENTS ET MATERIAUX

- chariots en nylon avec roulement à billes
- écrous en acier zingué
- vis en acier zingué
- égères de jonction
- embout anti-degondage
- cache usinage croisement
- papin etancheite croisement
- mousse

FINITIONS

noir

EMBALLAGES

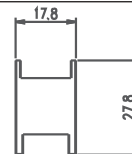
10 kits par boîte



6000/5

ART. Descrizione profilati/Description of sections/Type of profilé

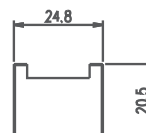
6000/5 CARRELLO/CHARIOT AFRIQUE A 1 RUOTA/WHEEL/ROUE



6000/8

ART. Descrizione profilati/Description of sections/Type of profilé

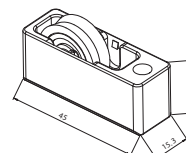
6000/8 CARRELLO MALI



6000/9

ART. Descrizione profilati/Description of sections/Type of profilé

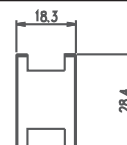
6000/9 CARRELLO SENEGAL



6000/10

ART. Descrizione profilati/Description of sections/Type of profilé

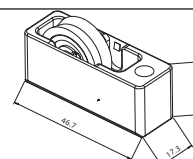
6000/10 CARRELLO MARUECO



6000/11

ART. Descrizione profilati/Description of sections/Type of profilé

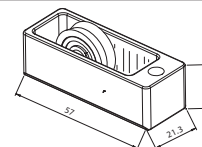
6000/11 CARRELLO SPECIAL 1 RUOTA/WHEEL/ROUE TOUBA (46,7x17,3x18)



6000/special

ART. Descrizione profilati/Description of sections/Type of profilé

6000 /Special CARRELLO SPECIAL 1 RUOTA WHEEL/ROUE TOUBA (57x21,3x17,5)



 **CARRELLI PER SCORREVOLI**

CARATTERISTICHE
Tutti i carrelli sono dotati di cuscinetto a sfere e hanno una portata di 40 Kg per coppia.

MATERIALI E COMPONENTI

- carrelli
- dadi in ferro zincato
- grani in ferro zincato

FINITURE
Nylon nero

 **ROLLERS FOR SLIDING SYSTEMS**

CHARACTERISTICS
All the rollers have ball bearings and their loading capacity is 40 Kg for a couple of rollers.

MATERIALS AND COMPONENTS

- fibreglass rollers with bearing balls
- galvanized steel nuts
- galvanized steel pins

FINISHES
Black

 **CHARIOTS POUR COULISSANTES**

CARACTERISTIQUES
Tous les chariots ont des roulements à billes et leur capacité de chargement est de 40 kg pour un couple de chariots.

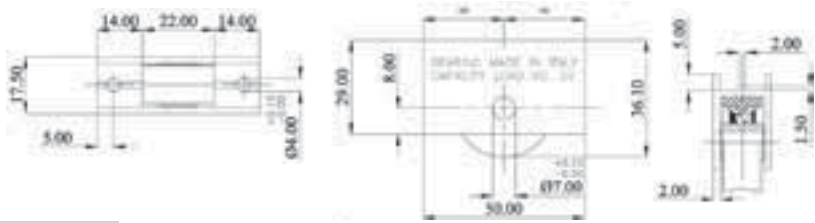
COMPONENTS ET MATERIAUX

- chariots en nylon avec roulement à billes
- écrous en acier zingué
- vis en acier zingué

FINITIONS
noir

ART. **Descrizione profilati/Description of sections/Type of profilé**

6000/20 Carrello cassa in alluminio - Ruota in nylon/ *Aluminium casing roller - Nylon wheel/ Chariot caisse en aluminium - Roue en nylon*

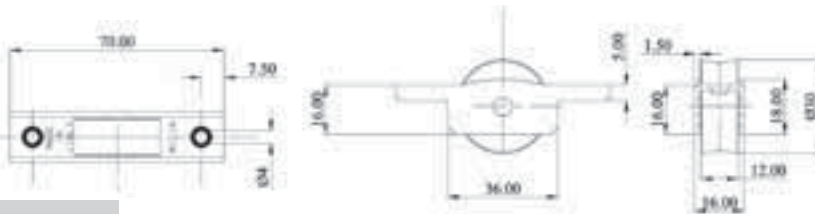


6000/20



ART. **Descrizione profilati/Description of sections/Type of profilé**

6000/21 Carrello fisso a 1 ruota per fin.scorr.cassa in acc.zincato ruota in nylon
One-wheel fixed roller for sliding window Galvanised steel casing Nylon wheel
Chariot fixe à 1 roue pour fin.coulissante caisse en acier zingué, roue en nylon

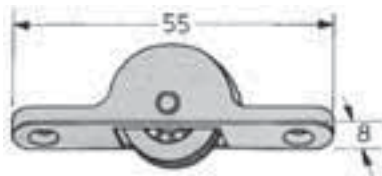


6000/21



ART. **Descrizione profilati/Description of sections/Type of profilé**

6000/22 Carrello cassa in acciaio zincato - Ruota in nylon/ *Aluminium casing roller - Nylon wheel/ Chariot caisse en acier zingué - Roue en nylon*

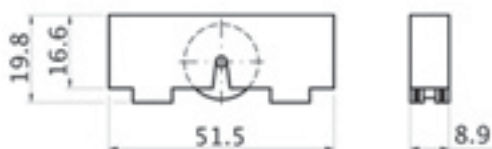


6000/22



ART. **Descrizione profilati/Description of sections/Type of profilé**

6000/23 Carrello zanzariera in nylon/ *Nylon mosquito curtain roller*
Chariot moustiquaire en nylon



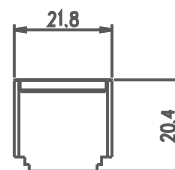
6000/23





6000/24

ART.	Descrizione profilati/Description of sections/Type of profilé
6000/24	CARRELLO X EXPORT 60 A 1 RUOTA/WHEEL/ROUE

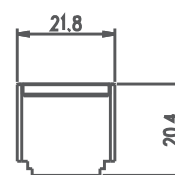


1 RUOTA



6000/25

ART.	Descrizione profilati/Description of sections/Type of profilé
6000/25	CARRELLO X EXPORT 60 A 2 RUOTE/WHEELS/ROUES

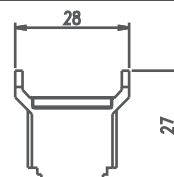


2 RUOTE



6000/26

ART.	Descrizione profilati/Description of sections/Type of profilé
6000/26	CARRELLO REUNION A 1 RUOTA/WHEEL/ROUE

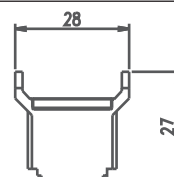


1 RUOTA



6000/27

ART.	Descrizione profilati/Description of sections/Type of profilé
6000/27	CARRELLO REUNION A 2 RUOTE/WHEELS/ROUES



2 RUOTE

 **CARRELLI PER SCORREVOLI**
(A 1 E A 2 RUOTE)

CARATTERISTICHE
completamente atermico, ruote montate su cuscinetto a sfere. Una coppia di carrelli a 1 ruota ha una portata di kg. 40, una coppia di carrelli a 2 ruote ha una portata di kg. 80.

MATERIALI E COMPONENTI
-carrelli
-dadi in ferro zincato
-grani in ferro zincato

FINITURE
Nylon nero

 **ROLLERS FOR SLIDING WINDOW**
(1 AND 2 WHEELS)

CHARACTERISTICS
The rollers have ball bearings and inside are made of a material which has a big thermal resistance. The loading capacity is 40 Kg for a couple of single rollers, and 80 Kg for a couple of double rollers.

MATERIALS AND COMPONENTS
-fibreglass rollers with bearing balls
-galvanized steel nuts
-galvanized steel pins

FINISHES
Black

 **CHARIOTS POUR FENETRES COULISSANTES**
(1 ET 2 ROUES)

CARACTERISTIQUES
Les chariots ont des roulements à billes et à l'intérieur sont faits d'un matériau qui a une grande résistance thermique. La capacité de chargement est de 40 kg pour un couple de chariots à 1 roue, et 80 kg pour un couple de chariots à 2 roues.

COMPONENTS ET MATERIAUX
-chariots en nylon avec roulement à billes
-écrous en acier zingué
-vis en acier zingué

FINITIONS
noir

ART.	Descrizione/Description/Type
201	Sisteme fixe panneau plein D60 DX-SX



ART.	Descrizione/Description/Type
202	Compensateur serie D 80 DX-SX



ART.	Descrizione/Description/Type
203	Lamelle pour volet de 77/80



ART.	Descrizione/Description/Type
204	Lamelle pour volet de 40



ART.	Descrizione/Description/Type
205	Lamelle pour volet de 60



Accessori REUNION



102

ART.

Descrizione/Description/Type

102

PINCE ORIENTABLE RAL 9010 REUNION brute



401

ART.

Descrizione/Description/Type

401

EMBOUT DE FINITION CRIS RENF.ACCR DX-SX blanc/noir



402

ART.

Descrizione/Description/Type

402

EMBOUT DE FINIT.EXTREM.RENF.ACLR DX SX blanc/noir



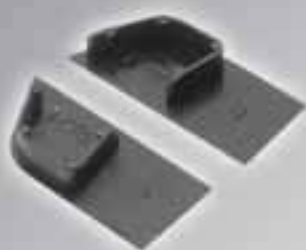
403

ART.

Descrizione/Description/Type

403

EMBOUT DE FINIT.JONCTION 4VTX AC4V blanc/noir



404

ART.

Descrizione/Description/Type

404

EMBOUT DE REJET D'EAU ACRE DX-SX blanc/noir

ART.	Descrizione/Description/Type
701	EMBOUT DE LAME (TAPPO GELOSIA)

701



ART.	Descrizione/Description/Type
702	PION D'ENTRAINEMENT (NOTTOLINO)

702



ART.	Descrizione/Description/Type
703	FOURQUE ENTRAINEM (PROF. GELOSIA)

703



ART.	Descrizione/Description/Type
704	VIS POUR BOUCHON GELOSIA 4,8X50 INOX

704



Accessori REUNION



601

ART.	Descrizione/Description/Type
------	------------------------------

601	Butée blanc/noir
-----	------------------



602

ART.	Descrizione/Description/Type
------	------------------------------

602	Bouchon de finition à pont blanc/noir
-----	---------------------------------------



602/1

ART.	Descrizione/Description/Type
------	------------------------------

602/1	Bouchon de finition à pont long blanc/noir
-------	--



603

ART.	Descrizione/Description/Type
------	------------------------------

603	Bouchon de finition bombé blanc/noir
-----	--------------------------------------



604

ART.	Descrizione/Description/Type
------	------------------------------

604	Bouchon de finition fin blanc/noir
-----	------------------------------------

ART.	Descrizione/Description/Type
605	Porte joint brosse d'étanchéité blanc/noir



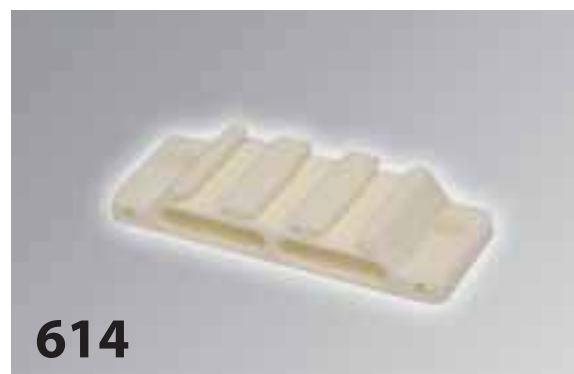
ART.	Descrizione/Description/Type
606	Vis TSP 4,2 x 16 INOX



ART.	Descrizione/Description/Type
607	Joint brosse L= 160 mm



ART.	Descrizione/Description/Type
614	Porte joint brosse d'étanchéité pour cadre 3 vantaux blanc/noir



Accessori in Plastica



700

ART.	Descrizione/Description/Type
700	Guida aste/Rod guide/Rails tiges



710

ART.	Descrizione/Description/Type
710	Blocchetti guida/Rod guide/Blocs rails 40x18



720

ART.	Descrizione profilati/Description of sections/Type of profilé
720	Blocchetti guida/Rod guide/Blocs rails 40x20



730

ART.	Descrizione/Description/Type
730	Chiusura per scuretto/Shuttering closure/Fermeture pour petit volet



750

ART.	Descrizione/Description/Type
750	Clips per doga all.co 8478/Clips forslat all.co 8478/Clips pour latte all.co 8478

ART.	Descrizione/Description/Type
760	Angolare piccolo in nylon nero/RAL 1013/ <i>Small black nylon corner piece RAL 1013/ Cornière petit format en nylon noir/RAL 1013</i>



ART.	Descrizione/Description/Type
760/1	Angolare grande in nylon nero/RAL 1013/ <i>Large black nylon corner piece RAL 1013/ Cornière grand format en nylon noir/RAL 1013</i>



ART.	Descrizione/Description/Type
770	Bocchetta copricilindro in nylon sagomata/ <i>Shaped nylon selvage/ Gâche couvre-cylindre en nylon façonnée</i>



ART.	Descrizione/Description/Type
780	Bocchetta copricilindro in nylon ovale/ <i>Oval nylon selvage/ Gâche couvre-cylindre en nylon ovale</i>



CARATTERISTICHE

L'impiego delle materie plastiche negli accessori per serramenti è servito in particolare ad evitare il contatto tra due materiali metallici, eliminando attriti e cigolii. I materiali più frequentemente usati sono i nylon.

CHARACTERISTICS

The use of plastic for window and door fixtures is excellent for avoiding contact between two metal pieces, eliminating friction and squeaking. The most widely used materials are nylon.

CARACTERISTIQUES

L'utilisation des matières plastiques dans la fabrication des accessoires pour menuiseries sert, en particulier, à éviter le contact entre deux parties métalliques et à éliminer les frottements et les grincement. Les matières les plus fréquemment utilisées sont les nylon.

Accessori in Plastica

800/1



ART.	Descrizione/Description/Type
800/1	Boccola intera con anello e perno/ Complete bush with pin and ring/ Douille entière avec anneau et axe

800/2



ART.	Descrizione/Description/Type
800/2	Boccola espansione nylon/ Nylon expansion bush/ Douille expansion nylon

800/4



ART.	Descrizione/Description/Type
800/4	Boccola chiusa L.26 nylon x 3 ali/ Nylon closed bush L.26 for 3 wings/ Douille fermée L.26 nylon x 3 lames

800/5



ART.	Descrizione/Description/Type
800/5	Boccola aperta L.22 nylon x 3 ali/ Open bush L.22 nylon for 3 wings/ Douille ouverte L.22 nylon x 3 lames

800/6



ART.	Descrizione profilati/Description of sections/Type of profilé
800/6	Boccola eccentrica aperta per Hercules/ Open eccentric bush for Hercules/ Douille excentrique ouverte pour Hercules

800/7



ART.	Descrizione/Description/Type
800/7	Boccola eccentrica chiusa per Hercules/ Closed eccentric bush for Hercules/ Douille excentrique fermée pour Hercules

ART.	Descrizione/Description/Type
800/8	Boccola scuretto aperta D.8x10 nylon/ <i>Shuttering nylon open bush D.8x10/Douille petit volet ouverte D.8x10 nylon</i>

800/8



ART.	Descrizione/Description/Type
800/9	Boccola Quik D.9 x L.47 nylon/ <i>Quik nylon bush D.9xL.47/ Douille Quik D.9xL.47 nylon</i>

800/9



ART.	Descrizione/Description/Type
800/10	Boccola D.8 per all.co 1 nylon/ <i>Nylon bush D.8 for all.co 1/ Douille D.8 pour all.co 1 nylon</i>

800/10



ART.	Descrizione/Description/Type
800/11	Boccola D.9 nylon x all.co wood 3ª anta/ <i>Nylon Bush D.9 for all.co wood french window/ Douille D.9 nylon x all.co wood 3ème porte</i>

800/11



ART.	Descrizione/Description/Type
800/15	Spessore tavellino mm 5 nylon/ <i>5mm Tavellino nylon shim/ Epaisseur poignée batteuse 5 mm nylon</i>

800/15



CARATTERISTICHE

L'impiego delle materie plastiche negli accessori per serramenti è servito in particolare ad evitare il contatto tra due materiali metallici, eliminando attriti e cigolii. I materiali più frequentemente usati sono i nylon.

CHARACTERISTICS

The use of plastic for window and door fixtures is excellent for avoiding contact between two metal pieces, eliminating friction and squeaking. The most widely used materials are nylon.

CARACTERISTIQUES

L'utilisation des matières plastiques dans la fabrication des accessoires pour menuiseries sert, en particulier, à éviter le contact entre deux parties métalliques et à éliminer les frottements et les grincement. Les matières les plus fréquemment utilisées sont les nylon.

Accessori in Plastica



850

ART.	Descrizione/Description/Type
850	Rondella D.11 nylon/ Nylon washer D.11/ Rondelle D.11 nylon



850/1

ART.	Descrizione/Description/Type
850/1	Rondella D.8 nylon/ Nylon washer D.8/ Rondelle D.8 nylon



850/2

ART.	Descrizione/Description/Type
850/2	Tappi in nylon D.11 per cerniere/ Nylon plugs D.11 for hinges/ Bouchons en nylon D.11 pour paumelles



850/4

ART.	Descrizione/Description/Type
850/4	Rondella per Hercules/ Washer for Hercules/ Rondelle pour Hercules



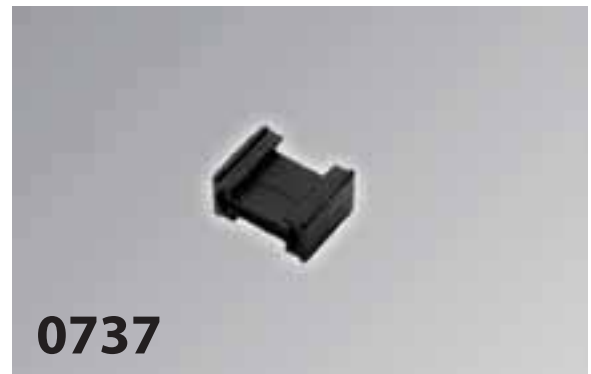
850/7

ART.	Descrizione/Description/Type
850/7	Tappo in PVC Ø 12 chiudi foro nero o bianco/ Black or white PVC Ø 12 plug to close hole/ Bouchon en PVC Ø 12 obturation orifice noir ou blanc

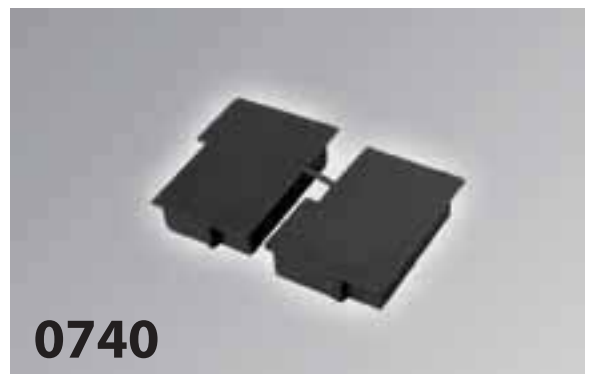
ART.	Descrizione/Description/Type
0674	Coppia tappo per WZ 674 / <i>Pair of plugs for WZ 674</i> / <i>Couple bouchon pour WZ 674</i>



ART.	Descrizione/Description/Type
0737	Blocc.rinf.ant.triall.co TT / <i>Reinforcement block ant.triall.co TT</i> / <i>Bloc.renf.porte triall.co TT</i>



ART.	Descrizione/Description/Type
0740	Coppia tappo speciale per VZ 740 / <i>Special pair of plugs for VZ 740</i> / <i>Couple bouchon spécial pour VZ 740</i>



ART.	Descrizione/Description/Type
8479D	Tappo per profilo 8479 DX e SX / <i>Plug for profile 8479 RIGHT and LEFT</i> / <i>Bouchon pour profil 8479 droite et gauche</i>



CARATTERISTICHE

L'impiego delle materie plastiche negli accessori per serramenti è servito in particolare ad evitare il contatto tra due materiali metallici, eliminando attriti e cigolii. I materiali più frequentemente usati sono i nylon.



CHARACTERISTICS

The use of plastic for window and door fixtures is excellent for avoiding contact between two metal pieces, eliminating friction and squeaking. The most widely used materials are nylon.



CARACTERISTIQUES

L'utilisation des matières plastiques dans la fabrication des accessoires pour menuiseries sert, en particulier, à éviter le contact entre deux parties métalliques et à éliminer les frottements et les grincement. Les matières les plus fréquemment utilisées sont les nylon.

Accessori in Plastica

3500



ART.	Descrizione/Description/Type
3500	Contropiastra per R40/50 nylon/ Nylon counterplate for R40/50/ Contreplaque pour R40/50 nylon

3501



ART.	Descrizione/Description/Type
3501	Sotto frontale per R40/50 nylon/ Nylon sub-front panel for R40/50/ Dessous façade pour R40/50 nylon

3502



ART.	Descrizione/Description/Type
3502	Controp/sottfr.per R40/50 nylon/ Nylon counterplate/sub-front panel for R40/50/ Contreplaque/dessous façade pour R40/50 nylon

3600



ART.	Descrizione/Description/Type
3600	Cappetta di drenaggio/ Drainage cap/ Chenal de drainage

1000



ART.	Descrizione/Description/Type
1000	Squadretta allineamento per ERRE nylon/ Nylon alignment bracket for ERRE/ Petite équerre alignement pour ERRE nylon

4257



ART.	Descrizione/Description/Type
4257	Tappo compensazione per VZ 4257/ Compensation plug for VZ 4257/ Bouchon compensation pour VZ 4257

4256



ART.	Descrizione/Description/Type
4256	Tappo compensazione per VZ 4256/ Compensation plug for VZ 4256/ Bouchon compensation pour VZ 4256

1500



ART.	Descrizione/Description/Type
1500	Squadretta simmetrica per zanzariera nero o bianco/ Black or white symmetric square for mosquito curtain/ Petite équerre symétrique pour moustiquaire noire ou blanche

ART.	Descrizione/Description/Type
1001	Spessore per vetro camera 10x30 mm GIALLO spessore= 2mm Double glazing shim 10x30 mm YELLOW thickness = 2mm Épaisseur pour double vitrage 10x30 mm JAUNE épaisseur = 2 mm
1002	Spessore per vetro camera 10x30 mm ROSSO spessore= 3mm Double glazing shim 10x30 mm RED thickness = 3mm Épaisseur pour double vitrage 10x30 mm ROUGE épaisseur = 3 mm
1003	Spessore per vetro camera 10x30 mm BIANCO spessore= 4mm Double glazing shim 10x30 mm WHITE thickness = 4mm Épaisseur pour double vitrage 10x30 mm BLANC épaisseur = 4 mm
1004	Spessore per vetro camera 10x30 mm NERO spessore= 5mm Double glazing shim 10x30 mm BLACK thickness = 5mm Épaisseur pour double vitrage 10x30 mm NOIR épaisseur = 5 mm
1005	Spessore per vetro camera 10x30 mm GRIGIO spessore= 7mm Double glazing shim 10x30 mm GREY thickness = 7mm Épaisseur pour double vitrage 10x30 mm GRIS épaisseur = 7 mm



ART.	Descrizione/Description/Type
1006	Spessore per vetro float 20x30 mm GIALLO spessore= 2mm Float glass shim 20x30 mm YELLOW thickness = 2mm Épaisseur pour vitrage float 20x30 mm JAUNE épaisseur = 2 mm
1007	Spessore per vetro float 20x30 mm ROSSO spessore= 3mm Float glass shim 20x30 mm RED thickness = 3mm Épaisseur pour vitrage float 20x30 mm ROUGE épaisseur = 3 mm
1008	Spessore per vetro float 20x30 mm BIANCO spessore= 4mm Float glass shim 20x30 mm WHITE thickness = 4mm Épaisseur pour vitrage float 20x30 mm BLANC épaisseur = 4 mm
1009	Spessore per vetro float 20x30 mm NERO spessore= 5mm Float glass shim 20x30 mm BLACK thickness = 5mm Épaisseur pour vitrage float 20x30 mm NOIR épaisseur = 5 mm
1010	Spessore per vetro float 20x30 mm GRIGIO spessore= 7mm Float glass shim 20x30 mm GREY thickness = 7mm Épaisseur pour vitrage float 20x30 mm GRIS épaisseur = 7 mm



ART.	Descrizione/Description/Type
1011	Spessore per vetro camera 20x80 mm ROSSO spessore= 2mm Double glazing shim 20x80 mm RED thickness = 2mm Épaisseur pour double vitrage 20x80 mm ROUGE épaisseur = 2 mm
1012	Spessore per vetro camera 20x80 mm VERDE spessore= 3mm Double glazing shim 20x80 mm VERDE spessore= 3mm Épaisseur pour double vitrage 20x80 mm VERT épaisseur = 3 mm
1013	Spessore per vetro camera 20x80 mm GIALLO spessore= 4mm Double glazing shim 20x80 mm YELLOW thickness = 4mm Épaisseur pour double vitrage 20x80 mm JAUNE épaisseur = 4 mm
1014	Spessore per vetro camera 20x80 mm BLU spessore= 5mm Double glazing shim 20x80 mm BLUE thickness = 5mm Épaisseur pour double vitrage 20x80 mm BLEU épaisseur = 5 mm
1015	Spessore per vetro camera 20x80 mm NERO spessore= 6mm Double glazing shim 20x80 mm BLACK thickness = 6mm Épaisseur pour double vitrage 20x80 mm NOIR épaisseur = 6 mm



ART.	Descrizione/Description/Type
1016	Spessore per vetro float 10x210 mm GIALLO spessore= 3mm Float glass shim 10x210 mm YELLOW thickness = 3mm Épaisseur pour vitrage float 10x210 mm JAUNE épaisseur = 3 mm
1017	Spessore per vetro float 10x210 mm ROSSO spessore= 4mm Float glass shim 10x210 mm RED thickness = 4mm Épaisseur pour vitrage float 10x210 mm ROUGE épaisseur = 4 mm
1018	Spessore per vetro float 10x210 mm NERO spessore= 5mm Float glass shim 10x210 mm BLACK thickness = 5mm Épaisseur pour vitrage float 10x210 mm NOIR épaisseur = 5 mm
1019	Spessore per vetro float 10x210 mm BIANCO spessore= 8mm Float glass shim 10x210 mm WHITE thickness = 8mm Épaisseur pour vitrage float 10x210 mm BLANC épaisseur = 8 mm



Accessori in Plastica

4261



ART.	Descrizione/Description/Type
4261	Tappo compensazione per Nuovo NC 40/ Compensation plug for New NC 40/ Bouchon compensation pour nouveau NC 40

4265



ART.	Descrizione/Description/Type
4265	Tappo compensazione per VZ 4265/ Compensation plug for VZ 4265/ Bouchon compensation pour VZ 4265

4289



ART.	Descrizione/Description/Type
4289	Tappo per Epocal prof. VZ 4289/ Plug for Epocal profile VZ 4289/ Bouchon pour Epocal prof. VZ 4289

4295



ART.	Descrizione/Description/Type
4295	CP Tappo Epocal per taglio a 90 ASL 4295/ Pair Epocal plugs for 90° cut ASL 4295/ CP Bouchon Epocal pour découpe à 90 ASL 4295

4296



ART.	Descrizione/Description/Type
4296	CP Tappo Epocal per Stulp ASL 4296/ Pair Epocal plugs for Stulp ASL 4296/ CP Bouchon Epocal pour Stulp ASL 4296

4298



ART.	Descrizione/Description/Type
4298	CP Tappo terminale per anta VZ 4298/ Pair end plugs for window/door VZ 4298/ CP Bouchon embout pour porte VZ 4298

4299



ART.	Descrizione/Description/Type
4299	CP Tappo per VZ 4299 sup.+inf.DX-SX/ Pair plugs for VZ 4299 upper+lower Right-Left/ CP Bouchon pour VZ 4299 sup. + inf.DX-SX

CARATTERISTICHE

L'impiego delle materie plastiche negli accessori per serramenti è servito in particolare ad evitare il contatto tra due materiali metallici, eliminando attriti e cigolii. I materiali più frequentemente usati sono i nylon.

CHARACTERISTICS

The use of plastic for window and door fixtures is excellent for avoiding contact between two metal pieces, eliminating friction and squeaking. The most widely used materials are nylon.

CARACTERISTIQUES

L'utilisation des matières plastiques dans la fabrication des accessoires pour menuiseries sert, en particulier, à éviter le contact entre deux parties métalliques et à éliminer les frottements et les grincement. Les matières les plus fréquemment utilisées sont les nylon.

ART.	Descrizione/Description/Type
820	Piastrina fissaggio/fixing plates/plaques de fixation 19,5 INOX

820



ART.	Descrizione/Description/Type
820/1	Piastrina fissaggio/fixing plates/plaques de fixation 17,5 INOX

820/1



ART.	Descrizione/Description/Type
820/2	Piastrina fissaggio/fixing plates/plaques de fixation 16,5 INOX

820/2



ART.	Descrizione/Description/Type
820/3	Piastrina fissaggio/fixing plates/plaques de fixation 13 INOX QUIK

820/3



ART.	Descrizione/Description/Type
820/4	Piastrina fissaggio/fixing plates/plaques de fixation HERCULES corta

820/4



ART.	Descrizione/Description/Type
820/5	Piastrina fissaggio/fixing plates/plaques de fixation HERCULES 3 ali

820/5



ART.	Descrizione/Description/Type
820/6	Piastrina fissaggio/fixing plates/plaques de fixation all.per all.co wood

820/6



ART.	Descrizione/Description/Type
820/8	Piastrina fissaggio/fixing plates/plaques de fixation all. 17,5 L=50

820/8



820/9



ART. Descrizione/Description/Type

820/9 Piastrina fissaggio/fixing plates/plaques de fixation all. 19,5 L=45

820/10



ART. Descrizione/Description/Type

820/10 Piastrina fissaggio/fixing plates/plaques de fixation all. 19,5 L=50

820/11



ART. Descrizione/Description/Type

820/11 Piastrina fissaggio/fixing plates/plaques de fixation all. 23,8 L=50

820/12



ART. Descrizione/Description/Type

820/12 Piastrina fissaggio/fixing plates/plaques de fixation HERCULES masc. ristr.

820/13



ART. Descrizione/Description/Type

820/13 Piastrina fissaggio/fixing plates/plaques de fixation 13 Zama QUIK

820/14



ART. Descrizione/Description/Type

820/14 Piastrina fissaggio/fixing plates/plaques de fixation Zama maschio Domal Stopp

820/15



ART. Descrizione/Description/Type

820/15 Piastrina fissaggio/fixing plates/plaques de fixation all. per Domal 40 arr.

ART.	Descrizione/Description/Type
830	Perno zincato/galvanized pin/axe zingué Ø 6 L=50 per all.co 1

830



ART.	Descrizione/Description/Type
830/1	Perno zincato/galvanized pin/axe zingué Ø 8 L=128

830/1



ART.	Descrizione/Description/Type
830/2	Perno /pin/axe Ø 8 x L=52 a fungo INOX

830/2



ART.	Descrizione/Description/Type
830/3	Perno zincato/galvanized pin/axe zingué Ø 8 per L=52 a fungo

830/3



ART.	Descrizione/Description/Type
850/4	Perno /pin/axe INOX per HERCULES corto Ø 12 L=67

850/4





830/5

ART. **Descrizione/Description/Type**

830/5 Perno /pin/axe INOX per HERCULES lungo Ø 12 L=105



830/6

ART. **Descrizione/Description/Type**

830/6 Perno zincato/galvanized pin/axe zingué Ø 6 L=45 per scuretto



830/7

ART. **Descrizione/Description/Type**

830/7 Perno /pin/axe QUIK INOX Ø 7 L=76



830/8

ART. **Descrizione/Description/Type**

830/8 Perno zincato/galvanized pin/axe zingué QUIK Ø 7 L=76



830/9

ART. **Descrizione/Description/Type**

830/9 Perno zincato/galvanized pin/axe zingué Ø 7 L=60 all.co wood 3^anta

ART.	Descrizione/Description/Type
900	Vite/screw/vis TC+zincata/galvanized/zingué M6 x 10

900



ART.	Descrizione/Description/Type
900/3	Vite/screw/vis TC+INOX M6 x 10

900/3



ART.	Descrizione/Description/Type
900/4	Vite/screw/vis TGS+M5 x 10 INOX

900/4



ART.	Descrizione/Description/Type
900/5	Vite/screw/vis TGS+M5 x 12 INOX

900/5



ART.	Descrizione/Description/Type
900/7	Vite/screw/vis TGS+M5 x 11,8 INOX con punta a disegno

900/7



ART.	Descrizione/Description/Type
900/8	Vite/screw/vis TCEI M8 x 25 zincata/galvanized/zingué

900/8



ART.	Descrizione/Description/Type
900/9	Vite/screw/vis TCEI M8 x 40 zincata/galvanized/zingué

900/9



ART.	Descrizione/Description/Type
900/10	Vite/screw/vis TCEI M8 x 45 zincata/galvanized/zingué

900/10





900/11

ART. Descrizione/Description/Type

900/11 Grani a Punta/*pointed dowels/boulons à pointe* M6 x 10 zincate/*galvanized/zingué*



900/12

ART. Descrizione/Description/Type

900/12 Grani/*dowels/boulons* 6 x 10 INOX a coppa



900/13

ART. Descrizione/Description/Type

900/13 Vite/*screw/vis* TCEI M8 x 60 zincata/*galvanized/zingué*



900/14

ART. Descrizione/Description/Type

900/14 Vite/*screw/vis* TGS+ M5x 10 zincata/*galvanized/zingué*



900/15

ART. Descrizione/Description/Type

900/15 Vite/*screw/vis* TGS+M5x 12 zincata/*galvanized/zingué*



900/16

ART. Descrizione/Description/Type

900/16 Vite/*screw/vis* TC+ M5x 6 zincata/*galvanized/zingué*



900/17

ART. Descrizione/Description/Type

900/17 Vite/*screw/vis* TSP+ 3,9x32 zincata/*galvanized/zingué*



900/18

ART. Descrizione/Description/Type

900/18 Vite/*screw/vis* TGS+ M5 x 8 INOX

ART.	Descrizione/Description/Type
910	Vite/screw/vis TCEI M6 x 18 zincata/galvanized/zingué

910



ART.	Descrizione/Description/Type
911	Vite/screw/vis TCEI M6 x 25 zincata/galvanized/zingué

911



ART.	Descrizione/Description/Type
912	Vite/screw/vis TCEI M6 x 20 zincata/galvanized/zingué

912



ART.	Descrizione/Description/Type
913	Vite/screw/vis TCEI M6 x 40 zincata/galvanized/zingué

913



Squadrette in alluminio

040



ART.

Descrizione profilati/Description of sections/Type of profilé

040

SQUADRETTA PER ERRE 40 GRANO FERRO/SQUARE FOR ERRE 40 IRON
DOWEL/PETITE EQUERRE POUR ERRE 40 BOULON FER



040/1



ART.

Descrizione profilati/Description of sections/Type of profilé

040/1

SQUADRETTA PER ERRE 50 GRANO FERRO / SQUARE FOR ERRE 50 IRON
DOWEL/PETITE EQUERRE POUR ERRE 50 BOULON FER



040/2



ART.

Descrizione profilati/Description of sections/Type of profilé

040/2

SQUADRETTA PER ERRE 50 TAGLIO TERMICO GRANO FERRO
SQUARE FOR ERRE 50 THERMAL CUTTING IRON DOWEL
PETITE EQUERRE POUR ERRE 50 DECOUP THERMIQUE BOULON FER



CARATTERISTICHE

SQUADRETTA

Squadrette in alluminio estruso per telaio fisso ed ante. La facilità dell'assemblaggio è dovuta al pulsante a molla che con l'inserimento e lo scatto della squadretta consente un accostamento perfetto dell'angolo, garantendo una sicura tenuta.

MATERIALI E COMPONENTI

1 pz. Squadretta maschio in alluminio estruso
1 pz. Squadretta femmina in alluminio estruso
2 pulsanti a molla in resina acetilica
1 vite di giunzione M6x14 zincata

FINITURE

Grezzo burattato

CONFEZIONI

200 pz. Per confezione

SQUADRETTA IN ALLUMINIO

Squadrette con aggancio in alluminio estruso, con grano di fissaggio.

MATERIALI E COMPONENTI

1 cavallotto in alluminio estruso
1 aggancio in alluminio estruso
1 grano M6x10 zincato

FINITURE

Grezzo burattato

CONFEZIONI

200 pezzi per confezione

CHARACTERISTICS

SQUARES

Squares in extruded aluminium for fixed frames and hinged doors. Easy installation is due to the spring push button which, when fitting and clipping the square in, allows a perfect match up with the corner, guaranteeing a good hold.

MATERIALS AND COMPONENTS

1 pc. Male square in extruded aluminium
1 pc. Female square in extruded aluminium
2 spring push buttons in acetal resin
1 galvanized joining screw M6x14

FINISHES

Mill finish

PACKS

200 pcs in each pack

CORNERS

Aluminium extruded corners tooth

MATERIALS AND COMPONENTS

1 aluminium extruded male
1 aluminium extruded female
1 M6x10 galvanized steel pin

FINISHES

Mill finish

PACKS

200 pcs in each pack

CARACTERISTIQUES

EQUERRES

Équerres en aluminium extrudé pour châssis fixe et battant. Leur bouton à ressort, qui permet d'empêcher parfaitement l'angle lors de la mise en place de l'équerre par enclenchement, garantit un montage facile et une solidité éprouvée.

MATERIAUX ET PIÈCES

1 équerre mâle en aluminium extrudé
1 équerre femelle en aluminium extrudé
2 boutons à ressort en résine acétal
1 vis de jointure M6x14 zingué

FINITION

Brut

EMBALLAGES

200 pièces par boîte

EQUERRE

Équerre avec mentonnet en aluminium extrudé

MATERIAUX ET PIÈCES

1 équerre en aluminium extrudé
1 mentonnet en aluminium extrudé
1 grain M6x10 en acier zingué

FINITION

Brut

EMBALLAGES

200 pièces par boîte

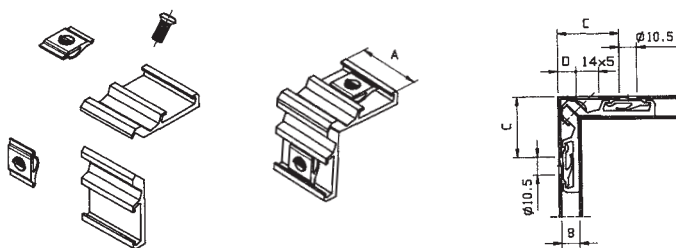
Squadrette Pool

ART.	Descrizione profilati/Description of sections/Type of profilé
050	SQUADRETTA POOL PER ALL.CO 5/ POOL SQUARE FOR ALL.CO 5 /PETITE EQUERRE POOL POUR ALL.CO 5



050

ART.	Descrizione profilati/Description of sections/Type of profilé
050/1	SQUADRETTA POOL PER ERRE 40/ POOL SQUARE FOR ERRE 40 /PETITE EQUERRE POOL POUR ERRE 40



050/1

ART.	Descrizione profilati/Description of sections/Type of profilé
010	ECCENTRICO IN ZAMA ZINCATO/ ECCENTRIC IN GALVANISED ZAMAK /EXCENTRIQUE EN ZAMA ZINGUE



010



CARATTERISTICHE

SQUADRETTA

Squadrette in alluminio estruso per telaio fisso ed ante. La facilità dell'assemblaggio è dovuta al pulsante a molla che con l'inserimento e lo scatto della squadretta consente un accostamento perfetto dell'angolo, garantendo una sicura tenuta.

MATERIALI E COMPONENTI

1 pz. Squadretta maschio in alluminio estruso
1 pz. Squadretta femmina in alluminio estruso
2 pulsanti a molla in resina acetaleica
1 vite di giunzione M6x14 zincata

FINITURE

Grezzo burattato

CONFEZIONI

200 pz. Per confezione

SQUADRETTA IN ALLUMINIO

Squadrette con aggancio in alluminio estruso, con grano di fissaggio.

MATERIALI E COMPONENTI

1 cavallotto in alluminio estruso
1 aggancio in alluminio estruso
1 grano M6x10 zincato

FINITURE

Grezzo burattato

CONFEZIONI

200 pezzi per confezione



CHARACTERISTICS

SQUARES

Squares in extruded aluminium for fixed frames and hinged doors. Easy installation is due to the spring push button which, when fitting and clipping the square in, allows a perfect match up with the corner, guaranteeing a good hold.

MATERIALS AND COMPONENTS

1 pc. Male square in extruded aluminium
1 pc. Female square in extruded aluminium
2 spring push buttons in acetalic resin
1 galvanized joining screw M6x14

FINISHES

Mill finish

PACKS

200 pcs in each pack

CORNERS

Aluminium extruded corners tooth

MATERIALS AND COMPONENTS

1 aluminium extruded made
1 aluminium extruded tooth
1 M6x10 galvanized steel pin

FINISHES

Mill finish

PACKS

200 pcs in each pack



CARACTERISTIQUES

EQUERRES

Équerres en aluminium extrudé pour châssis fixe et battant. Leur bouton à ressort, qui permet d'épouser parfaitement l'angle lors de la mise en place de l'équerre par enclenchement, garantit un montage facile et une solide éprouvée.

MATERIAUX ET PIÈCES

1 équerre male en aluminium extrudé
1 équerre femelle en aluminium extrudé
2 boutons à ressort en résine acétal
1 vis de jointure M6x14 zingué

FINITION

Brut

EMBALLAGES

200 pièces par boîte

EQUERRE

Équerre avec mentonnet en aluminium extrudé

MATERIAUX ET PIÈCES

1 équerre en aluminium extrudé
1 mentonnet en aluminium extrudé
1 grain M6x10 en acier zingué

FINITION

Brut

EMBALLAGES

200 pièces par boîte



Produzione/*Productions*



Lavorazione Estrusi
Processing of extruded parts



Stampaggio materie plastiche
Presswork of Plastic Materials



Riprese
CNC Machining



Lavorazioni CNC
CNC Manufacturing



Imballaggio su casse
Packing in Cases



Avvolgimento pellicole di protezione e dogatura pannelli
Protective Plastic Wrapping and Panel Stave



Pressatura pannelli
Panel Press



Produzione/*Productions*



Attrezzeria - Montaggio
Tools - Assembling



Ufficio tecnico e progettazione
Product Development Department



Confezionamento e controllo qualità
Packing and Quality Control



Controllo Produzione
Production Control



Magazzino semilavorati
Semi-finished product warehouse



Verniciatura a polveri
Powder Coating



SCHEDA TECNICA

L'azienda CASAL SRL con la presente informa la clientela che tutti i prodotti esposti nel catalogo sono soggetti alle seguenti specifiche tecniche di lavorazione:

ARTICOLI IN ALLUMINIO E PLASTICA

MISURE E TOLLERANZE:

Le misure indicate nel catalogo attraverso i disegni tecnici devono intendersi con una tolleranza massima consentita di +/- 0,2 mm salvo specifica diversa.

MATERIA PRIMA:

Lega alluminio 6060 (UNI 9006-I^A)

Materiali plastici caratteristiche definite nei cataloghi dei fornitori in sede aziendale.

TRATTAMENTO SUPERFICI

I cicli di lavorazione definiti in sede aziendale devono rispettare le seguenti tolleranze:

-lo spessore di ossidazione anodica argento e bronzo è di 15 micron +/- 5.

-lo spessore di ossidazione anodica nero ed elettro è di 20 micron +/- 5.

-Lo spessore di vernice RAL poliester è di 60 micron +/- 12.

COLORAZIONI

Le colorazioni esposte nel catalogo sono indicative. Le tabelle colori sono definite in sede aziendale. Le colorazioni vengono divise in standard e non standard.

TEMPI DI CONSEGNA

Tutti gli articoli standard contenuti nel catalogo vengono consegnati entro 60 giorni, mentre per i prodotti non standard nella finitura e/o nella colorazione, sono consegnati in 90 giorni, salvo specifica diversa.

Le informazioni definite in questa scheda tecnica hanno lo scopo di informare il cliente e di garantire le caratteristiche tecniche per i prodotti esposti in questo catalogo CASAL SRL.



TECHNICAL INFORMATION

CASAL SRL inform that all the products described in the catalogue are subjected to the following specify technical of working:

ALUMINIUM & PLASTIC PRODUCTS

DIMENSIONS AND TOLERANCE:

The measures described in the catalogue through the technical design, should be intended that the maximum tolerance consented is +/- 0,2 mm, others specifications excepted.

RAW MATERIAL

Alloy aluminium (UNI 9006-I^A)

Plastic materials characteristics described in the suppliers catalogues, which their quality has been established at the firm.

SURFACE TREATMENT

All the working cycles which they have been established at the firm, must respect the following tolerances:

-anodic oxidation thickness, silver and bronze, 15 micron +/- 5

-anodic oxidation thickness, black and elettrocolour, 20 micron +/- 5

-RAL polyester painting thickness, 60 micron +/- 12

PAINTING

All the range of colours described in the catalogue are indicated.

The colours lists have been established at the firm.

The colours are divided in standard and not standard.

DELIVERY TERMS

For all the standard articles described in the catalogue, delivery time with 60 days, for other products not standard, in finishing or in colours, delivery time withing 90 days.

The informations above stated, aim to inform the customers, as well as to guaranted the technical characteristics of the products described in this catalogue of CASAL SRL.



FICHE TECHNIQUE

Par la présente, CASAL SRL informe la clientèle que tous les produits présentés dans le catalogue sont soumis aux spécifications techniques d'usage suivantes:

ARTICLES EN ALUMINIUM ET PLASTIQUE

MESURES ET TOLÉRANCES:

Les mesures indiquées dans le catalogue par le biais des dessins techniques s'entendent avec une tolérance maximale admise de +/- 0,2 mm sauf indication différente.

MATIÈRE PREMIÈRE:

Alliage d'aluminium 6060 (UNI 9006-I^A)

Matières plastiques: caractéristiques définies dans les catalogues des fournisseurs dont l'entreprise dispose.

TRAITEMENT DES SURFACES

Les cycles de traitement définis dans l'entreprise doivent respecter les tolérances suivantes:

-l'épaisseur d'oxydation anodique argent et bronze est de 15 microns +/- 5;

-l'épaisseur d'oxydation anodique noire et électrocouleur est de 20 microns +/- 5;

-l'épaisseur de peinture RAL polyester est de 60 microns +/- 12.

COLORATIONS

Les colorations présentées dans le catalogue sont indicatives. Les tableaux des couleurs sont définis dans l'entreprise. Les colorations se divisent en standard et non standard.

DÉLAIS DE LIVRAISON

Tous les articles standard contenus dans le catalogue sont livrés dans les 60 jours, les produits avec finition et/ou coloration non standard étant, eux, livrés dans les 90 jours, sauf indication différente.

Tutti i diritti sono riservati. E' vietata la riproduzione totale o parziale del presente catalogo.

CASAL S.r.l. si riserva il diritto di variare senza preavviso le quote e le caratteristiche dei prodotti qui elencati e descritti, al fine di adeguarli alle evoluzioni tecniche del mercato.

COLORI STANDARD

OSSIDAZIONE	COD
Argento	10
Elettrocolore	20
Oro	30
Nero	40
Bronzo	43
Grezza	00

RAL	DESCRIZIONE	COD
9010	Bianco	50
9001	Bianco Avorio Chiaro	54
1013	Bianco Avorio	51
VIV 21	Bianco Sporco	52
9005	Nero	99
9005	Nero Opaco	09
8019	Marrone	94
8017	Marrone Scuro	90
6005	Verde	70
3003	Rosso	60

COLORI NON STANDARD

OSSIDAZIONE	COD
Ottone	31
Testa di moro	41
Bronzo 4	44
Bronzo 5	45

RAL	DESCRIZIONE	COD
001	Bianco Azzurrato	53
9016	Bianco 1	55
9002	Bianco 2	56
	Bianco Gotico	58
	Marrone Gotico	91
8011	Marrone Chiaro	92
8014	Marrone Medio	93
8019	Marrone	94
	Marrone Raggrinzato	95
7022	Grigio Umbro	80
	Grigio Gotico	81
7001	Grigio	82
7006	Grigio Beige	83
7035	Grigio Luce	84
9006	Grigio Alluminio	85
	Verde Gotico	71
6018	Verde Giallo	72
6012	Verde Scuro	73
	Verde Vivo	74
6002	Verde Foglia	75
	Verde Mus.Raggrinz.	76
	Rosso Gotico	61
5010	Blu	86





COSTRUZIONE ACCESSORI PER SERRAMENTI IN ALLUMINIO E FERRO

CONDIZIONI GENERALI DI VENDITA

Tutti gli articoli CASAL, presenti a catalogo, sono soggetti alle seguenti condizioni generali di vendita:

Termini di consegna: sono di 60 gg per i prodotti standard e 90 gg per i prodotti non standard. Sono puramente indicativi e comunque non impegnativi. Essi sono subordinati al normale approvvigionamento delle materie prime nonché ad impedimenti di produzione per cause di forza maggiore. Il mancato rispetto dei medesimi non dà luogo ad alcun indennizzo.

Garanzie e tolleranze: salvo diversi accordi, esplicitamente menzionati nell'ordine, le garanzie qualitative e dimensionali dei prodotti forniti dovranno rispondere a quanto previsto nelle misure e riferimenti elencati nella scheda allegata al nostro catalogo.

Reclami: premesso che il cliente ha l'obbligo di controllare qualità e dimensioni prima dell'impiego, qualsiasi reclamo sui materiali forniti deve esserci comunicato per iscritto entro 8 giorni dalla consegna. Saranno presi in esame solamente i materiali contestati allo stato di fornitura e chiaramente identificabili. In caso di accoglimento del reclamo sarà a nostro carico la riparazione, la sostituzione (se possibile) o il rimborso del prezzo pagato, limitatamente al quantitativo accertato non conforme, con esclusione di ogni altro onere per spese di lavorazione o a qualsiasi altro titolo. La pendenza del reclamo non sospende la decorrenza dei termini di pagamento.

Trasporto: a nostro carico, per ordini di almeno cento kg.; addebito in fattura dell'importo concordato, per ordini inferiori ai cento kg. Il materiale dovrà essere verificato all'arrivo e, in caso di danneggiamento o mancanza di materiali, dovranno essere fatte, al ricevimento, le opportune proteste o riserve contro il vettore.

Differenze peso: sui pesi da noi dichiarati è ammessa la tolleranza consuetudinaria del tre per mille, saranno presi in esame i reclami documentati da "tagliando veritas" e annotati nei Documenti di Trasporto della merce.

Imballi: salvo diversi accordi, menzionati nell'ordine, l'imballo utilizzato è a discrezione dell'azienda.

Pagamenti: le condizioni di pagamento della merce ordinata sono pattuite al momento della stesura dell'ordine. In caso di ritardo nei pagamenti sarà conteggiato un interesse al tasso corrente. Ci riterremo, inoltre, autorizzati a sospendere tutte le forniture e a pretendere il pagamento immediato di tutte le nostre fatture anche se non ancora scadute e ciò senza pregiudizio di qualsiasi altra azione a tutela dei nostri interessi.

Accettazione ordini: l'ordine si ritiene automaticamente accettato da ambo le parti, se entro tre giorni, dalla data del ricevimento, non viene data disdetta scritta.

Foro competente: per ogni controversia in ordine alla transazione di cui alle presenti condizioni generali di vendita, sarà competente il Foro di Venezia.

GENERAL SALES CONDITIONS

All CASAL articles present in the catalogue are subject to the following general sales conditions:

Delivery terms: 60 days for standard products and 90 days for non standard products.

Delivery terms are merely indicative and not binding. They may be affected by availability of raw materials and causes of force majeure that may obstruct production. Failure to respect delivery terms shall not in any way give rise to the payment of any indemnity.

Guarantees and tolerances: unless otherwise agreed and expressly mentioned in the order the quality and dimensions guaranteed shall meet the measurements and references listed in the sheet attached to our catalogue.

Claims: the customer has the obligation to check the quality and dimensions of the product before use; this having been stated any claim must be sent in writing within 8 days from the delivery of the goods. Only goods that are clearly identifiable and have not been used shall be taken into consideration. If the claim is accepted we shall cover the repair, replacement (where possible) of the product or refund the price paid only for the quantity of product ascertained as non conforming; no other processing cost or any other cost shall be borne by CASAL. Any open claim shall not suspend the terms of payment.

Transport: at our charge for orders of at least one hundred kg.; for orders of less than one hundred kg transport cost shall be charged in the invoice. Goods must be checked on arrival and in case of damage or missing goods the necessary reservations and objections must be made on delivery to the carrier.

Weight difference: a tolerance of three per thousand is admitted on the weight declared by us; claims shall be taken into consideration only if documented by the "veritas slip" and mentioned in the Transport Documents.

Packaging: unless otherwise agreed and mentioned in the order the packaging used shall be decided by CASAL.

Payment: payment conditions for the goods ordered shall be agreed when the order is made. Interest of arrears at current interest rates shall be calculated on delayed payments. We shall also be authorised to suspend all other supplies and demand the immediate payment of all invoices including those not expired without prejudice to any other action to safeguard our interests.

Acceptance of orders: orders shall be considered automatically accepted by both parties if no written cancellation is sent in writing within three days of receipt of order.

Competent Court: any dispute concerning the transaction provided for by these general sales conditions shall be settled by the Court of Venice.

CONDITIONS GÉNÉRALES DE VENTE

Tous les articles CASAL figurant dans ce catalogue sont soumis aux conditions générales de vente suivantes :

Délais de livraison : 60 jours pour les produits standards et 90 jours pour les produits non standards.

Les délais sont purement indicatifs et ne sont pas contraignants. Ils sont sujets à l'approvisionnement courant des matières premières ainsi qu'aux problèmes de production pour causes de force majeure. Le non-respect des délais ne donnent lieu à aucune indemnisation.

Garanties et tolérances : sauf en cas d'accords différents explicitement mentionnés dans l'ordre, les garanties qualitatives et dimensionnelles des produits fournis devront répondre à ce qui est prévu en matière de mesures et de références listées dans la fiche annexée à notre catalogue.

Réclamations : le client se doit de contrôler la qualité et les dimensions avant l'usage. En conséquence toute réclamation concernant le matériel fourni doit nous être communiquée par écrit dans un délai de 8 jours à compter de la date de livraison. Seul le matériel contesté comme fourniture et clairement identifiable sera pris en considération. En cas d'acceptation de la réclamation, nous prendrons en charge la réparation, le remplacement (si possible) ou le remboursement du prix versé, dans la limite de la quantité effective non conforme, à l'exclusion de toute autre obligation pour frais de fabrication ou à tout autre titre. L'existence de la réclamation n'interrompt pas les délais de paiement.

Transport : à notre charge pour les ordres d'un minimum de cent kg ; mise en facture du montant établi pour les ordres inférieurs à cent kg.

Le matériel devra être vérifié dès son arrivée et en cas d'endommagement ou de quantité manquante du matériel, les réclamations ou les réserves devront être émises contre le transporteur.

Différences de poids : Par rapport aux poids que nous déclarons, une tolérance habituelle de trois pour mille est admise. Seules les réclamations documentées avec bordereau à l'appui et annotées dans les Documents de Transport de la marchandise seront prises en compte.

Emballages : sauf en cas d'accords différents mentionnés dans l'ordre, l'emballage utilisé est choisi par la société.

Paiements : les conditions de paiement de la marchandise commandée sont établies au moment de la rédaction de l'ordre. En cas de retard de paiement, un intérêt sera appliqué selon le taux en vigueur. Nous serons par ailleurs autorisés à suspendre toutes les livraisons et à prétendre le paiement immédiat de toutes nos factures même si elles ne sont pas encore échues, sans préjudice de toute autre action pour protéger nos intérêts.

Acceptation des ordres : l'ordre est considéré comme automatiquement accepté par les deux parties, si dans un délai de trois jours à compter de la date de réception une résiliation écrite ne parvient pas.

Tribunal compétent : pour tout contentieux concernant la transaction aux termes des présentes conditions générales de vente, le Tribunal compétent sera celui de Venise.



Made in Italy



CASAL[®] S.r.l.

Accessori per serramenti in alluminio e ferro

II° Strada, 20/22 - Z. Ind. - 30030 Fossò (Venice) Italy - Tel. +39.041.4165855 - 4165865 Fax +39.041.4165511

www.casal.it - e-mail: casal@casal.it



Certificate N. IT97/0230

The quality management system of

CASAL S.r.l.

Z. IND. Via II^a Strada, 20/22 - 30030 FOSSO² (VE) - Italy

has been assessed and certified as meeting the requirements of

ISO 9001 / UNI EN ISO 9001:2000

For the following activities

Design, manufacturing and trading of fittings for aluminium and iron door and window frames. Design and production of moulds for plastic materials and die-casting. Moulding of plastic materials. Mechanical works

EA Sector: 17, 29A

First issue: 10/12/1997
Last issue: 05/02/2007

Valid until 02/01/2010 subject to annual satisfactory surveillance.

Further clarifications regarding the scope of this certificate and the applicability of ISO 9001:2000 requirements may be obtained by consulting the organization.

Authorized By
Paolo Pinocchi

SGS ITALIA S.p.A. - Systems & Services Certification
Via G. Cozzi, 1/A - 20129 MILANO - Italy
t +39 02 73 03 11 f +39 02 70 10 54 80 www.sgs.com

SGS



SINCERT

SGS
SISTEMI E SERVIZI CERTIFICAZIONE S.p.A. - Via G. Cozzi, 1/A - 20129 MILANO - Italy
T. +39 02 73 03 11 F. +39 02 70 10 54 80 WWW.SGS.COM





Costruzione Accessori per Serramenti in Alluminio e Ferro

Z.IND. II° Strada 20/22 – 30030 Fossò (Ve) ITALY Tel.

+39.041.4165855 +39.041.4165865 Fax. +39.041.4165511

C.F./P.I. 02505890273

Cap.soc.int.vers. € 100.000,00

COUNTRY OF ORIGIN

To whomsoever it may concern

CASAL S.R.L is a 40 years old leading company in the production of accessories for doors and windows made in Italy since 1979.

Our company has been operating in the sector of Aluminium & Glass fittings, as a manufacturer and exporter which produce:

- Aluminium Accessories for Doors & Windows: Hinges handles, Sliding window kits, Finger catches, Handles, Sliding window kits, Latch bolts etc.
- Aluminium panels for Door.
- Aluminium Door Locks with cylinder: Latch & Roller Lock.
- Patch fittings for Glass Doors & sliding door accessories.
- Shower, Glass fittings & spider fittings for Glass.

In the year 1997 we obtained the quality certification UNIEN ISO 9002, and thanks to our know-how, development of new technologies, high level equipment, marketing research, high professional staff, quality control methods and accuracy in choosing the raw materials, we were able to obtain also the ISO 9001 certification by S.G.S, International Certification Services.

All the products illustrated through our catalogue have been studied and made entirely by our company, and this provides a guarantee for those who are looking for high quality and highly reliable Aluminium and Glass accessories.

We offer accessories of high quality level, suitable for many series; realization of customized projects, support to the distributors, technical trainings to producers and designers, assistance and service to the customer and contribute with our work, to keep the value that is assigned abroad at **MADE IN ITALY**, seeking perfections without compromise.

We have now initiated operations in the UAE from 1st of June 2020 considering the vast demand for our items by keeping sufficient stock of all our unique products in strategic geographical locations to cater the Glass and Aluminium accessories needs of our dear customers all around Middle East.

For CASAL SRL

II° Strada,20/22
Z.Ind-30030 Fossò
Venice- Italy
Ph: +39 041 4165855
Fax: +391 041 4165511

WARRANTY FOR HARDWARE

Project Details

Project Name :
Client :
Consultant :
Main Contractor :
Sub-Contractor :

CASAL SRL products have 10 years warranty against defects in workmanship and materials from the date of purchase by the customer, subject to the limitation and exclusions set out in this warranty.

CASAL SRL's warranty is expressly limited to window & door manufacturers and authorized distributors, who purchase CASAL products for the purpose of resale or manufacturing.

This warranty does not cover normal wear or discoloration on finishes, or any product which has been improperly installed, abused, misused, worn out, altered, used for a purpose other than that for which it was intended, or in a manner inconsistent with any instructions regarding its use, nor does it cover corrosion related damage, tea staining on stainless, personal injury, property damage or economic loss however caused, removal, replacement or reinstallation of the Casal product, Freight costs and travelling time, any modification or repairs to CASAL products, unless authorized by CASAL.

If within this period the products is found to be defective in its sole judgments and none of the limitations and exclusions set out in this warranty apply, CASAL will supply the same or equivalent product free of charge. This is the only remedy granted by CASAL under this warranty. CASAL'S liability is limited only to the replacement value of the hardware. This exclusive remedy shall not be deemed to have failed of its essential purpose so long as CASAL is willing and able to repair or replace said defective products or parts in the prescribed manner.

This warranty is not retrospective and does not affect any statutory rights which may apply. No agent, employee or representative of CASAL has any authority to bind CASAL to any affirmation, representation, or warranty concerning CASAL'S products or parts, except as stated herein.

For CASAL SRL,

II° Strada,20/22
Z.Ind-30030 Fossò
Venice- Italy
Ph: +39 041 4165855
Fax: +391 041 4165511
Mail Id: casal@casal.it



CASAL S.r.l.
Costruzione Accessori Alluminio
FOSSO (VE) Tel. 041/4165855

Issue Date :

TEST REPORT No. 331853

Place and date of issue: Bellaria-Igea Marina - Italy, 29/02/2016

Customer: CASAL S.r.l. - Via Il Strada, 20/22 - Zona Industriale - 30030 FOSSÒ (VE) - Italy

Date test requested: 11/12/2015

Order number: 68480

Date sample received: 22/01/2016

Test date: from 16/02/2016 to 19/02/2016

Purpose of test: performance testing of single-axis hinges in accordance with standard UNI EN 1935:2004 incorporating Corrigendum 2007

Test site: Istituto Giordano S.p.A. - Via Erbosa, 72 - 47043 Gatteo (FC) - Italy

Sample origin: sampled and supplied by the Customer

Identification of sample received: No. 2016/0119

Sample name*

The test sample is called "060/QUIK".

Description of sample*

The test sample comprises 2 two-leaf extruded 6060 aluminium alloy hinges.

The main components of each hinge are:

- 1 QUIK male element;
- 1 QUIK female element;

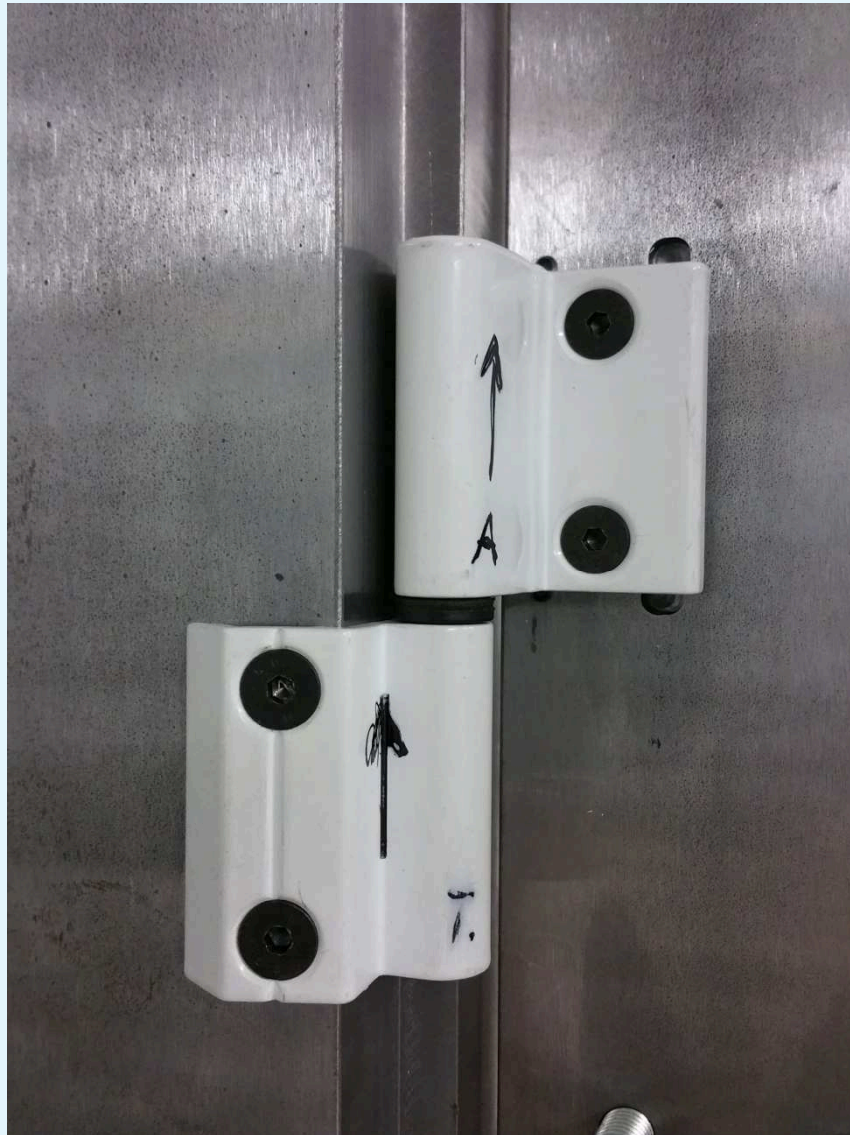
(*) according to that stated by the Customer.

Comp. AV
Revis. PB

This test report consists of 7 sheets.
This document is the English translation of the test report No. 331853 dated 29/02/2016 issued in Italian; in case of dispute the only valid version is the Italian one. Date of translation: 29/04/2016.

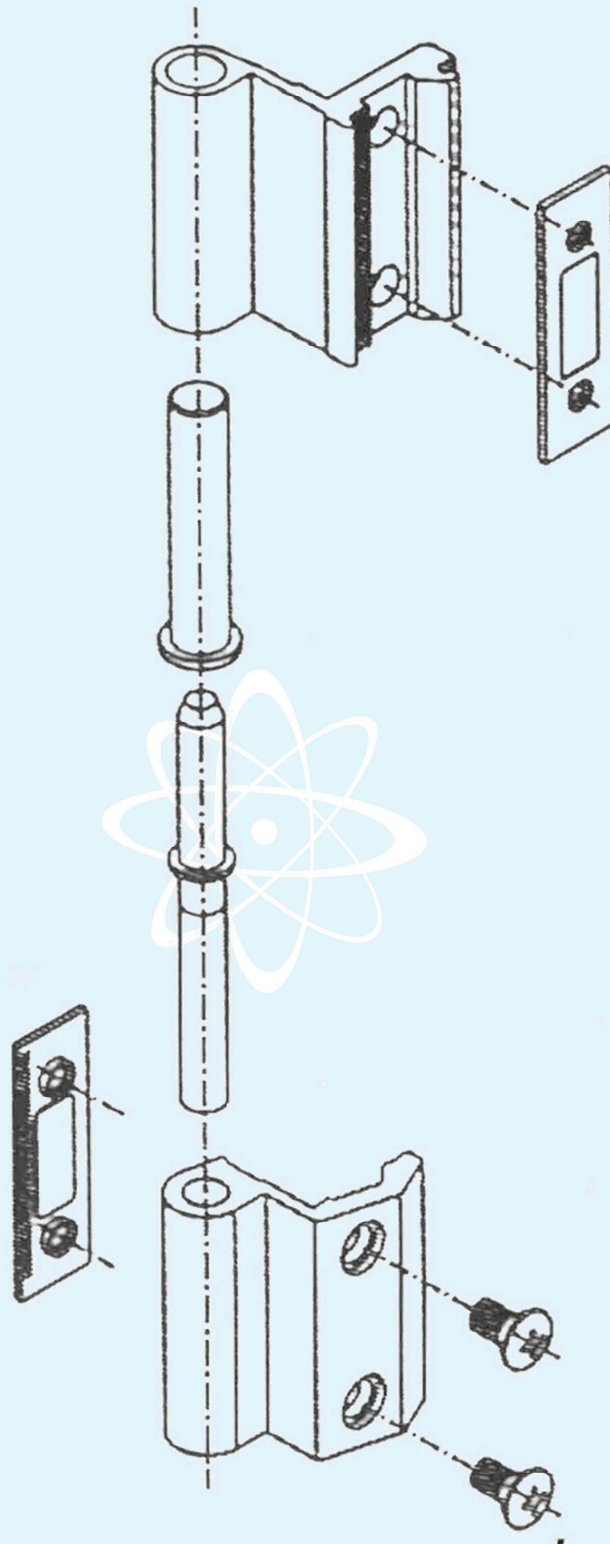
Sheet
1 of 7

- 1 nylon 6.6 bush;
- 2 AISI 430 stainless-steel fixing plates with grip system;
- 4 M5x10 AISI 304 steel screws;
- 1 stainless-steel anti-lift pin, diameter 7 mm and length 76 mm, with gripper ring.



Sample photo

**SAMPLE SCHEMATIC DRAWING
(CUSTOMER-SUPPLIED)**



Normative References

The test was carried out in accordance with the requirements of standard UNI EN 1935:2004 dated 01/01/2004 "Building hardware - Single axis hinges - Requirements and test methods" incorporating Corrigendum dated 03/05/2007.

Test apparatus

The following equipment was used to carry out the test:

- test element composed of equipment and devices meeting the requirements of standard UNI EN 1935:2004 (in-house identification code FT406);
- digital stopwatch;
- digital calliper gauge with 10 micron resolution;
- load cell, capacity 50 N (in-house identification code EDI093).

Test method

The hinges were fastened to the test apparatus and tested as follows in accordance with standard UNI EN 1935:2004:

Sample	Test	Method	Requirement
1	Initial measurements	6.4	5.1
	Static load:	7.3	5.2
	Load deformation	7.3.2	5.2.1
	Overload test	7.3.3	5.2.2
2*	Shear strength test	7.4	5.3
3	Durability:	7.5	5.4
	20 cycles		
	Initial measurements		
	Durability cycling		
4**	Repeat overload test	7.3.3	5.4
	Corrosion resistance	EN 1670	5.5

(*) The sample is a lift-off hinge (with only two knuckles) therefore this test is not required.

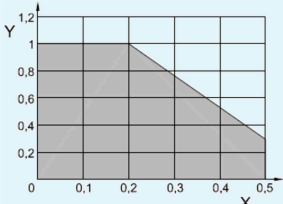
(**) It was agreed with the Customer that the sample would not undergo the corrosion test.

The following test parameters were utilised:

Presumed hinge grade		5
Leaf nominal mass	[kg]	40
Leaf deformation mass	[kg]	80
Leaf overload mass	[kg]	120
Durability cycles	[No.]	10000
Grade of corrosion resistance	[h]	0
Fixing screw torque	[N · m]	2

Test results

SAMPLE 1 - STATIC LOAD TEST							
Test	Result					Requirement	
Initial measurements	Leaf nominal mass: 40 kg					2 N · m	
	Friction torque measurement						
	Angle	[°]	0 ± 5	30 ± 5	60 ± 5		90 ± 5
	Torque	[N · m]	1,52	1,24	1,10		0,91
Load deformation	Leaf deformation mass: 80 kg Load displacement: lateral displacement X = 0,83 mm vertical displacement Y = 0,47 mm No breakage					X ≤ 2 mm Y ≤ 4 mm There shall be no breakage	
	Leaf nominal mass: 40 kg Residual displacement: lateral displacement X = 0,15 mm vertical displacement Y = 0,26 mm No breakage						
Overload	Leaf overload mass: 120 kg No visible breakage after 5 operating cycles, whilst sustaining the load for 2 min and after unloading					There shall be no breakage	

SAMPLE 3 - DURABILITY TEST						
Test	Result					Requirement
Durability	Leaf nominal mass: 40 kg					2 N · m
	Friction torque measurement before cycling:					
	Angle [°]	0 ± 5	30 ± 5	60 ± 5	90 ± 5	
	Torque [N · m]	1,46	1,45	1,39	1,35	
	Number of cycles performed: 10000 No lubrication					//
	Friction torque measurement after cycling:					2 N · m
	Angle [°]	0 ± 5	30 ± 5	60 ± 5	90 ± 5	
	Torque [N · m]	1,79	1,74	1,71	1,88	
	Leaf overload mass: 120 kg Displacement with door closed: lateral displacement X = 0,35 mm vertical displacement Y = 0,18 mm No visible breakage					
						 <p>There shall be no breakage</p>

Classification

On the basis of the tests performed, the results obtained and the provisions of standard UNI 1935:2004, the test sample, comprising two-leaf extruded 6060 aluminium alloy hinges called "060/QUIK" submitted by the company CASAL S.r.l. - Via Il Strada, 20/22 - Zona Industriale - 30030 FOSSÒ (VE) - Italy, can be classified with the following coding system as listed in table 1 of said standard UNI EN 1935:2004:

1	3	2	0	1	0*	0	5
1 st	2 nd	3 rd	4 th	5 th	6 th	7 th	8 th

where the digits signify that indicated in the table below.

Digit	Characteristic	Possible values	
1 st	Category of use	- grade 1: light duty - grade 2: medium duty	- grade 3: heavy duty - grade 4: severe duty
2 nd	Durability	- grade 3: 10 000 cycles for use on windows - grade 4: 25 000 cycles for use on windows	- grade 4: 25 000 cycles for use on doors - grade 7: 200 000 cycles for use on doors
3 rd	Test door mass	- grade 0: 10 kg - grade 1: 20 kg	- grade 2: 40 kg - grade 3: 60 kg - grade 4: 80 kg - grade 5: 100 kg - grade 6: 120 kg - grade 7: 160 kg
4 th	Suitability for use on fire/smoke compartmentation doors	- grade 0: not suitable for use on fire resistant and/or smoke control door assemblies - grade 1: suitable for use on fire/smoke resistant door assemblies subject to satisfactory assessment of the contribution of the hinges	
5 th	Safety	- grade 1: all hinges are required to satisfy the essential requirement of safety in use	
6 th	Corrosion resistance	- grade 0: no defined corrosion resistance - grade 1: mild resistance - grade 2: moderate resistance - grade 3: high resistance - grade 4: very high resistance	
7 th	Security - Burglar-resistance	- grade 0: not suitable for use on burglar-resistant door assemblies - grade 1: suitable for use on burglar-resistant door assemblies subject to satisfactory assessment of the contribution of the hinges	
8 th	Hinge grade	grades 1 to 14 with grade 1 being the lowest	

(*) Grade awarded on the basis of that stated by the Customer.

The results given refer exclusively to the test sample itself and are only valid under the same conditions in which testing was carried out.

This test report alone shall not be considered a certificate of conformity.

Test Technician:
Dott. Ing. Paolo Bertini

Head of Security and Safety Laboratory:
Dott. Andrea Bruschi

Chief Executive Officer
(Dott. Arch. Sara Lorenza Giordano)



Firmato digitalmente da GIORDANO SARA LORENZA

TEST REPORT No. 335638

Place and date of issue: Bellaria-Igea Marina - Italy, 29/07/2016

Customer: CASAL S.r.l. - Via Il Strada, 20/22 - Zona Industriale - 30030 FOSSÒ (VE) - Italy

Date test requested: 11/12/2015

Order number and date: 68480, 04/12/2015

Date sample received: 01/04/2016

Test date: from 13/05/2016 to 17/05/2016

Purpose of test: performance testing of single-axis hinges in accordance with standard UNI EN 1935:2004 incorporating Corrigendum 2007

Test site: Istituto Giordano S.p.A. - Via Erbosa, 72 - 47043 Gatteo (FC) - Italy

Sample origin: sampled and supplied by the Customer

Identification of sample received: No. 2016/0649

Sample name*

The test sample is called "HERCULES 170".

Description of sample*

The test sample comprises 2 two-leaf aluminium hinges.

The main components of each hinge are:

- HERCULES 6060 aluminium-alloy MALE HINGE, screw fixing centres 21 mm;
- HERCULES 6060 aluminium-alloy FEMALE HINGE, screw fixing centres 40 mm;

(*) according to that stated by the Customer.

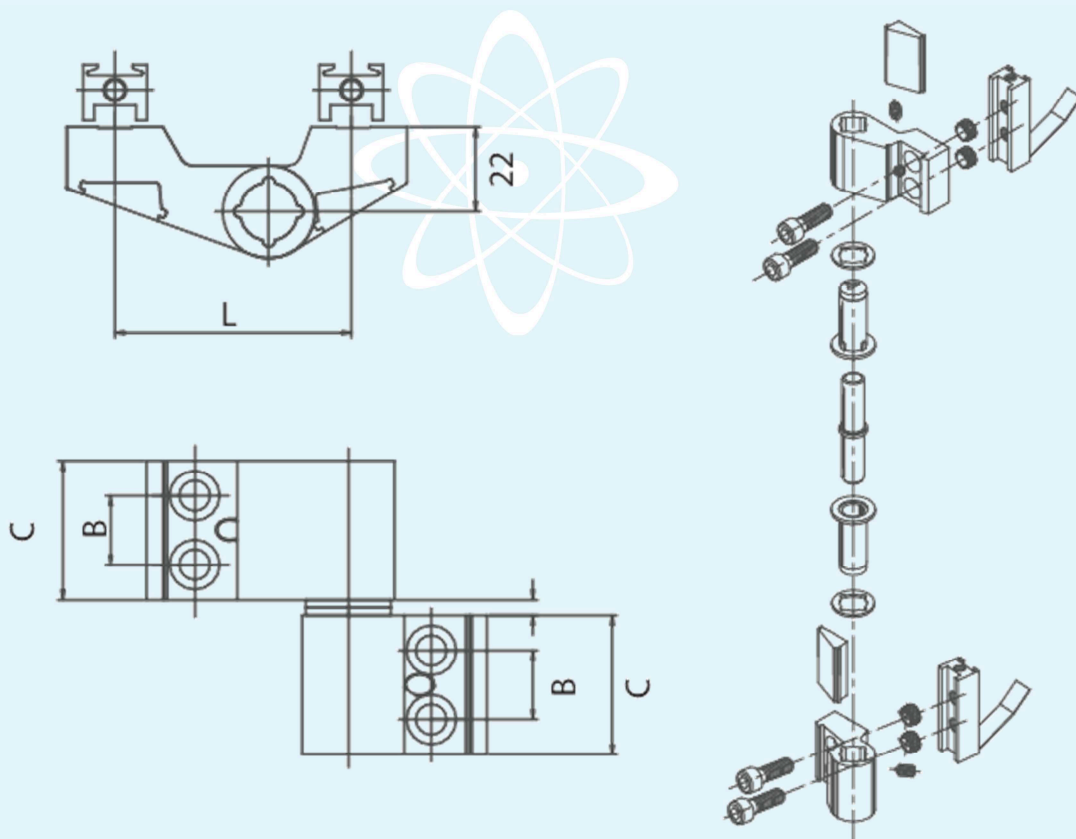
Comp. AV
Revis. PB

This test report consists of 7 sheets.
This document is the English translation of the test report No. 335638 dated 29/07/2016 issued in Italian; in case of dispute the only valid version is the Italian one. Date of translation: 16/09/2016.

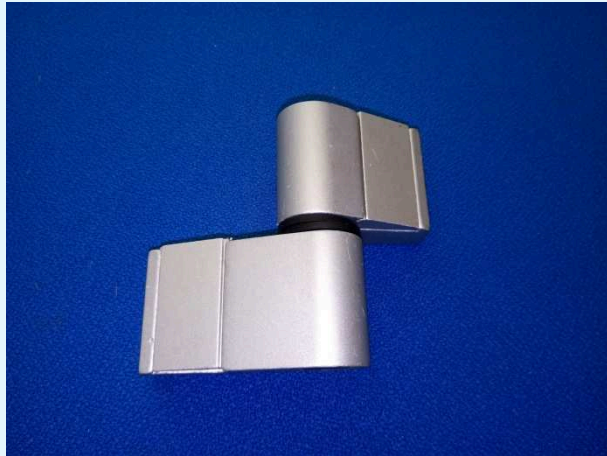
Sheet
1 of 7

- 2 aluminium cover plates;
- AISI 304 stainless-steel pin, diameter 11 mm and length 67 mm;
- 2 short aluminium fixing plates;
- 2 acetal-resin plate springs;
- 2 30 %-fibreglass shim washers;
- 4 M8 × 25 galvanised hexagon socket head cap screws;
- 4 knurled, galvanised guide bushings, diameter 8 mm and length 11 mm;
- 2 M6 × 10 stainless-steel cone-point set screws;
- 2 acetal-resin closed-type eccentric bushings.

SAMPLE SCHEMATIC DRAWING



B	18 mm
C	36,2 mm
L	61 mm



Photos of a hinge

Normative References

The test was carried out in accordance with the requirements of standard UNI EN 1935:2004 dated 01/01/2004 "Building hardware - Single axis hinges - Requirements and test methods" incorporating Corrigendum dated 03/05/2007.

Test apparatus

The following equipment was used to carry out the test:

- test element composed of equipment and devices meeting the requirements of standard UNI EN 1935:2004 (apparatus in-house identification code FT406);
- digital stopwatch;
- digital calliper gauge with 10 micron resolution;
- load cell, capacity 50 N (apparatus in-house identification code EDI093);

Test method

The hinges were fastened to the test apparatus and tested as follows in accordance with standard UNI EN 1935:2004.

Hinge	Test	Method	Requirement
1	Initial measurements	6.4	5.1
	Static load	7.3	5.2
	Load deformation	7.3.2	5.2.1
	Overload test	7.3.3	5.2.2
2*	Shear strength test	7.4	5.3
3	Durability	7.5	5.4
	Repeat overload test	7.3.3	5.4
4**	Corrosion resistance	EN 1670	5.5

(*) The sample is a lift-off hinge (with only two knuckles) therefore this test is not required.

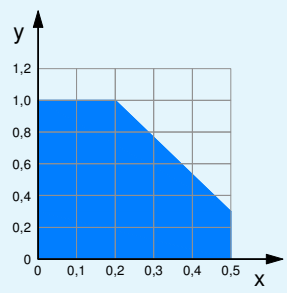
(**) It was agreed with the Customer that the sample would not undergo the corrosion test.

The following test parameters were utilised:

Presumed hinge grade	9
Leaf nominal mass	60 kg
Leaf deformation mass	120 kg
Leaf overload mass	180 kg
Durability cycles	25000
Grade of corrosion resistance	0 h
Fixing screw torque	2 N · m

Test results

Hinge 1 - STATIC LOAD TEST						
Test	Result					Requirement
Initial measurements	Leaf nominal mass: 60 kg Opened 20 times through $\geq 92,5^\circ$					3 N · m
	Friction torque measurement					
	Angle [°]	0 ± 5	30 ± 5	60 ± 5	90 ± 5	
	Torque [N · m]	1,57	1,93	1,56	1,84	
	Horizontal and vertical gaps with door closed X=12,50 mm and Y=14,71 mm					
Static load	Leaf deformation mass: 120 kg Opened 20 times through $\geq 92,5^\circ$ Load displacement: lateral displacement X = 1,97 mm vertical displacement Y = 1,33 mm no breakage					$\Delta X \leq 2$ mm $\Delta Y \leq 4$ mm no breakage
	Leaf nominal mass: 60 kg After 2 min opened 5 times through $\geq 92,5^\circ$ Residual displacement: lateral displacement X = 0,15 mm vertical displacement Y = 0,42 mm no breakage					
Overload	Leaf overload mass: 180 kg Opened 5 times through $\geq 92,5^\circ$ and after 2 min checked for possible breakage					no breakage

Hinge 3 - DURABILITY TEST						
Test	Result					Requirement
Durability	Leaf nominal mass: 60 kg Opened 20 times through $\geq 92,5^\circ$					3 N · m
	Friction torque measurement before cycling					
	Angle [°]	0 ± 5	30 ± 5	60 ± 5	90 ± 5	
	Torque [N · m]	1,64	2,64	2,54	2,70	
	Horizontal and vertical gaps with door closed X=12,58mm and Y=14,75 mm Number of cycles performed: 25000 No lubrication					
	Friction torque measurement after cycling					
	Angle [°]	0 ± 5	30 ± 5	60 ± 5	90 ± 5	
	Torque [N · m]	1,32	1,86	2,32	2,90	
	Additional displacement: lateral displacement X = 0,16 mm vertical displacement Y = 0,16 mm					
	no breakage					
					3 N · m  no breakage	

Classification

On the basis of the tests performed, the results obtained and the provisions of standard UNI 1935:2004, the test sample, comprising two-leaf aluminium-alloy hinges called "HERCULES 170" submitted by the company CASAL S.r.l. - Via Il Strada, 20/22 - Zona Industriale - 30030 FOSSÒ (VE) - Italy, can be classified with the following coding system as listed in table 1 of said standard UNI EN 1935:2004:

1	4	3	/*	1	/*	/*	9
1°	2°	3°	4°	5°	6°	7°	8°

where the digits signify that indicated in the table below.

Digit	Characteristic	Possible values			
1	Category of use	- grade 1: light duty - grade 2: medium duty		- grade 3: heavy duty - grade 4: severe duty	
2	Durability	- grade 3: 10 000 cycles for use on windows - grade 4: 25 000 cycles for use on windows		- grade 4: 25 000 cycles for use on doors - grade 7: 200 000 cycles for use on doors	
3	Test door mass	- grade 0: 10 kg - grade 1: 20 kg	- grade 2: 40 kg - grade 3: 60 kg	- grade 4: 80 kg - grade 5: 100 kg	- grade 6: 120 kg - grade 7: 160 kg
4	Suitability for use on fire/smoke compartmentation doors	- grade 0: not suitable for use on fire resistant and/or smoke control door assemblies - grade 1: suitable for use on fire/smoke resistant door assemblies subject to satisfactory assessment of the contribution of the hinges			
5	Safety	- grade 1: all hinges are required to satisfy the essential requirement of safety in use			
6	Corrosion resistance	- grade 0: no defined corrosion resistance - grade 1: mild resistance - grade 2: moderate resistance - grade 3: high resistance - grade 4: very high resistance			
7	Security - Burglar-resistance	- grade 0: not suitable for use on burglar-resistant door assemblies - grade 1: suitable for use on burglar-resistant door assemblies subject to satisfactory assessment of the contribution of the hinges			
8	Hinge grade	grades 1 to 14 with grade 1 being the lowest			

(*) performance not tested as outside the remit of this report.

The results given refer exclusively to the test sample itself and are only valid under the same conditions in which testing was carried out.

This test report alone shall not be considered a certificate of conformity.

Test Technician:
Dott. Ing. Paolo Bertini

Head of Security and Safety Laboratory:
Dott. Andrea Bruschi

Chief Executive Officer
(Dott. Arch. Sara Lorenza Giordano)



Firmato digitalmente da GIORDANO SARA LORENZA

TEST REPORT No. 3318531

Place and date of issue: Bellaria-Igea Marina - Italy, 19/03/2016

Customer: CASAL S.r.l. - Via Il Strada, 20/22 - Zona Industriale - 30030 FOSSÒ (VE) - Italy

Date test requested: 11/12/2015

Order number: 684801

Date sample received: 22/01/2016

Test date: from 16/03/2016 to 19/03/2016

Purpose of test: performance testing of single-axis hinges in accordance with standard UNI EN 1935:2004 incorporating Corrigendum 2007

Test site: Istituto Giordano S.p.A. - Via Erbosa, 72 - 47043 Gatteo (FC) - Italy

Sample origin: sampled and supplied by the Customer

Identification of sample received: No. 2016/0120

Sample name*

The test sample is called "160/2".

Description of sample*

The test sample comprises 2 two-leaf extruded 6060 aluminium alloy hinges.

The main components of each hinge are:

- 1 male element;
- 1 female element;

(*) according to that stated by the Customer.

Comp. AV
Revis. PB

This test report consists of 7 sheets.
This document is the English translation of the test report No. 331853 dated 29/02/2016 issued in Italian; in case of dispute the only valid version is the Italian one. Date of translation: 29/04/2016.

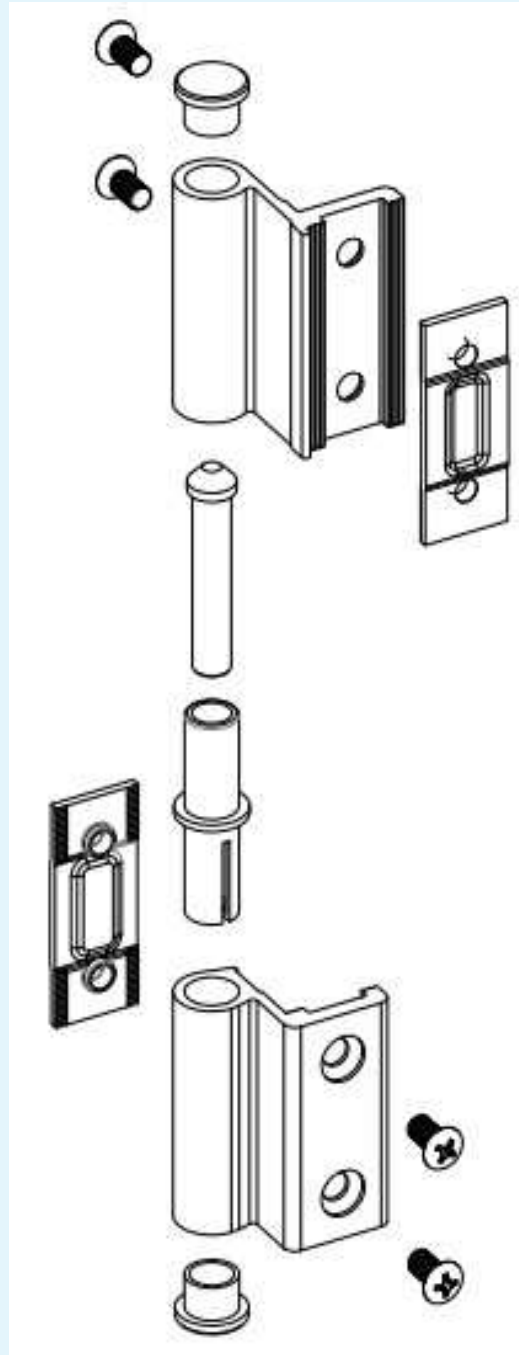
Sheet
1 of 7

- 1 nylon 6.6 bush;
- 2 AISI 430 stainless-steel fixing plates with grip system;
- 4 M5x10 AISI 304 steel screws;
- 1 galvanized pin, diameter 8 mm and length 52 mm.
- 2 nylon plugs



Sample photo

SAMPLE SCHEMATIC DRAWING
(CUSTOMER-SUPPLIED)



Normative References

The test was carried out in accordance with the requirements of standard UNI EN 1935:2004 dated 01/01/2004 "Building hardware - Single axis hinges - Requirements and test methods" incorporating Corrigendum dated 03/05/2007.

Test apparatus

The following equipment was used to carry out the test:

- test element composed of equipment and devices meeting the requirements of standard UNI EN 1935:2004 (in-house identification code FT406);
- digital stopwatch;
- digital calliper gauge with 10 micron resolution;
- load cell, capacity 50 N (in-house identification code EDI093).

Test method

The hinges were fastened to the test apparatus and tested as follows in accordance with standard UNI EN 1935:2004:

Sample	Test	Method	Requirement
1	Initial measurements	6.4	5.1
	Static load:	7.3	5.2
	Load deformation	7.3.2	5.2.1
	Overload test	7.3.3	5.2.2
2*	Shear strength test	7.4	5.3
3	Durability:	7.5	5.4
	20 cycles		
	Initial measurements		
	Durability cycling		
	Repeat overload test	7.3.3	5.4
4**	Corrosion resistance	EN 1670	5.5

(*) The sample is a lift-off hinge (with only two knuckles) therefore this test is not required.

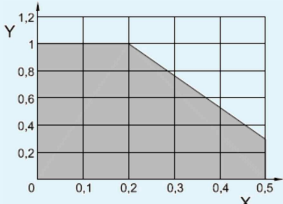
(**) It was agreed with the Customer that the sample would not undergo the corrosion test.

The following test parameters were utilised:

Presumed hinge grade		5
Leaf nominal mass	[kg]	40
Leaf deformation mass	[kg]	80
Leaf overload mass	[kg]	120
Durability cycles	[No.]	10000
Grade of corrosion resistance	[h]	0
Fixing screw torque	[N · m]	2

Test results

SAMPLE 1 - STATIC LOAD TEST							
Test	Result					Requirement	
Initial measure- ments	Leaf nominal mass: 40 kg					2 N · m	
	Friction torque measurement						
	Angle	[°]	0 ± 5	30 ± 5	60 ± 5		90 ± 5
	Torque	[N · m]	1,52	1,24	1,10		0,91
Load defor- mation	Leaf deformation mass: 80kg Load displacement: lateral displacement X = 0,83 mm vertical displacement Y = 0,47 mm No breakage					X ≤ 2 mm Y ≤ 4 mm There shall be no breakage	
	Leaf nominal mass: 40kg Residual displacement: lateral displacement X = 0,15 mm vertical displacement Y = 0,26 mm No breakage						
Overload	Leaf overload mass: 120 kg No visible breakage after 5 operating cycles, whilst sustaining the load for 2 min and after unloading					There shall be no breakage	

SAMPLE 3 - DURABILITY TEST						
Test	Result					Requirement
Durability	Leaf nominal mass: 40 kg					2 N · m
	Friction torque measurement before cycling:					
	Angle [°]	0 ± 5	30 ± 5	60 ± 5	90 ± 5	
	Torque [N · m]	1,46	1,45	1,39	1,35	
	Number of cycles performed: 10000 No lubrication					//
	Friction torque measurement after cycling:					2 N · m
	Angle [°]	0 ± 5	30 ± 5	60 ± 5	90 ± 5	
	Torque [N · m]	1,79	1,74	1,71	1,88	
	Leaf overload mass: 120 kg Displacement with door closed: lateral displacement X = 0,35 mm vertical displacement Y = 0, 18 mm					
	No visible breakage					 <p>There shall be no breakage</p>

Classification

On the basis of the tests performed, the results obtained and the provisions of standard UNI 1935:2004, the test sample, comprising two-leaf extruded 6060 aluminium alloy hinges called "160/2" submitted by the company CASAL S.r.l. - Via Il Strada, 20/22 - Zona Industriale - 30030 FOSSÒ (VE) - Italy, can be classified with the following coding system as listed in table 1 of said standard UNI EN 1935:2004:

1	2	4	0	1	0*	0	5
1 st	2 nd	3 rd	4 th	5 th	6 th	7 th	8 th

where the digits signify that indicated in the table below.

Digit	Characteristic	Possible values
1 st	Category of use	- grade 1: light duty - grade 2: medium duty - grade 3: heavy duty - grade 4: severe duty
2 nd	Durability	- grade 3: 10 000 cycles for use on windows - grade 4: 25 000 cycles for use on windows - grade 4: 25 000 cycles for use on doors - grade 7: 200 000 cycles for use on doors
3 rd	Test door mass	- grade 0: 10 kg - grade 1: 20 kg - grade 2: 40 kg - grade 3: 60 kg - grade 4: 80 kg - grade 5: 100 kg - grade 6: 120 kg - grade 7: 160 kg
4 th	Suitability for use on fire/smoke compartmentation doors	- grade 0: not suitable for use on fire resistant and/or smoke control door assemblies - grade 1: suitable for use on fire/smoke resistant door assemblies subject to satisfactory assessment of the contribution of the hinges
5 th	Safety	- grade 1: all hinges are required to satisfy the essential requirement of safety in use
6 th	Corrosion resistance	- grade 0: no defined corrosion resistance - grade 1: mild resistance - grade 2: moderate resistance - grade 3: high resistance - grade 4: very high resistance
7 th	Security - Burglar-resistance	- grade 0: not suitable for use on burglar-resistant door assemblies - grade 1: suitable for use on burglar-resistant door assemblies subject to satisfactory assessment of the contribution of the hinges
8 th	Hinge grade	grades 1 to 14 with grade 1 being the lowest

(*) Grade awarded on the basis of that stated by the Customer.

The results given refer exclusively to the test sample itself and are only valid under the same conditions in which testing was carried out.

This test report alone shall not be considered a certificate of conformity.

Test Technician:
Dott. Ing. Paolo Bertini

Head of Security and Safety Laboratory:
Dott. Andrea Bruschi

Chief Executive Officer
(Dott. Arch. Sara Lorenza Giordano)



This is a translation of certificate N. IT13/0130



The Health and Safety Management System of:

CASAL S.r.l.

Registered Office and Plant:

Zona Industriale II Strada, 20/22 - 30030 Fossò (VE) - Italy

Production Departments:

Zona Industriale II Strada, 12/14/18/22/24 - 30030 Fossò (VE) - Italy

Has been assessed and registered as meeting the requirements of

UNI ISO 45001:2018

For the following activities:

Design, manufacturing and trading of fittings for aluminium and iron door and windows frames. Design and production of moulds for plastic materials and die-casting. Moulding of plastic materials. Mechanical works.

This certificate is valid from 12/06/2020 until 24/02/2022 and remains valid subject to satisfactory surveillance audits.

Re certification audit due before 07/02/2022.

Issue 4. Certified since 12/06/2020.

This organization was previously certified to OHSAS 18001:2007 since 24/02/2013.

The audit leading to this certificate commenced on 28/04/2020
Previous issue certificate validity date was until 11/03/2021

Authorized by
Paola Santarelli

SGS ITALIA S.p.A.

Via Caldera, 21 20153 MILANO - Italy

t + 39 02 73 93 1 f +39 02 70 10 94 89 www.sgs.com

Page 1 of 1

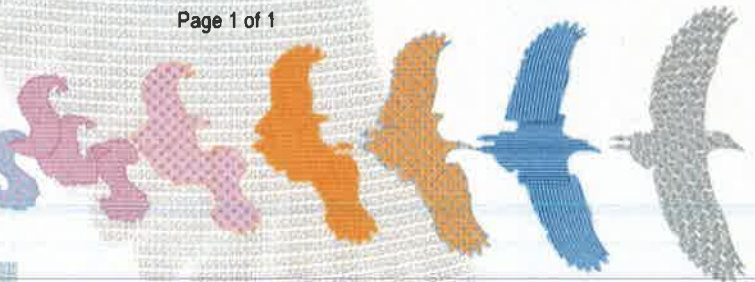


ACCREDIA
L'ALTA QUALITÀ DELLE ACCREDITAZIONI

SCR N° 0001 F

Membro di MLA EA per gli schemi di accreditamento SGQ, SGA, PRD, PRS, ISP, GHG, LAB, LAT, PTP e RMT, di MLA IAF per gli schemi di accreditamento SGQ, SGA, SSI, FSM, PRD e PRS e di MRA ILAC per gli schemi di accreditamento LAB, MED, LAT, ISP e PTP

Signatory of EA MLA for the accreditation schemes QMS, EMS, PRD, PRS, INSP, GHG, TL, CL, PTP and RMT, of IAF MLA for the accreditation schemes QMS, EMS, ISMS, FSMS, PRD and PRS and of ILAC MRA for the accreditation schemes TL, ML, CL, INSP and PTP



This document is a Web version of SGS certificate for electronic use exclusively. It shall only be available by clicking on SGS Certification Mark which has been posted on Your website. It shall not be printed in anyway. This document is copyright protected. No content or appearance may be reproduced without the express written permission of SGS. Any misuse, alteration, forgery or falsification is unlawful.

This is a translation of certificate N. IT97/0230



The quality management system of
CASAL S.r.l.

Zona Industriale II Strada, 20/22 - 30030 Fossò (VE) - Italy

has been assessed and certified as meeting the requirements of

ISO 9001 / UNI EN ISO 9001:2015



For the following activities

Design, manufacturing and trading of fittings for aluminium and iron door and window frames. Design and production of moulds for plastic materials and die-casting. Moulding of plastic materials. Mechanical works.

EA Sector: 17, 29

This certificate is valid from 07/01/2019 until 02/01/2022 and remains valid subject to satisfactory surveillance audits.

Re certification audit due before 02/01/2022.

Issue 8. Certified since 02/01/2004.

The audit leading to this certificate commenced on 20/12/2018
Previous issue certificate validity date was until 02/01/2019

Authorized by
Paola Santarelli

SGS ITALIA S.p.A.
Via Caldera, 21 - 20153 MILANO - Italy
t +39 02 73 93 1 - f +39 02 70 10 94 89 - www.sgs.com

Page 1 of 1

ACCREDIA
L'ENTE ITALIANO DI ACCREDITAMENTO

SGQ N° 0015 A

Membro di MLA EA per gli schemi di accreditamento SGQ, SGA, PRD, PRS, ISP, GHG, LAB, LAT e PTP, di MLA IAF per gli schemi di accreditamento SGQ, SGA, SSI, FSM, PRD e PRS e di MRA ILAC per gli schemi di accreditamento LAB, MED, LAT e ISP

Signatory of EA MLA for the accreditation schemes QMS, EMS, PRD, PRS, INSP, GHG, TL, CL and PTP, of IAF MLA for the accreditation schemes QMS, EMS, ISMS, FSMS, PRD and PRS and of ILAC MRA for the accreditation schemes TL, ML, CL and INSP



This document is a Web version of SGS certificate for electronic use exclusively. It shall only be available by clicking on SGS Certification Mark which has been posted on Your website. It shall not be printed in anyway. This document is copyright protected. No content or appearance may be reproduced without the express written permission of SGS. Any misuse, alteration, forgery or falsification is unlawful.

This is a translation of certificate N. IT13/0130



The Health and Safety Management System of:

CASAL S.r.l.

Registered Office and Plant:

Zona Industriale II Strada, 20/22 - 30030 Fossò (VE) - Italy

Production Departments:

Zona Industriale II Strada, 12/14/18/22/24 - 30030 Fossò (VE) - Italy

Has been assessed and registered as meeting the requirements of:

OHSAS 18001 – Ed. 2007



For the following activities:

Design, manufacturing and trading of fittings for aluminium and iron door and windows frames. Design and production of moulds for plastic materials and die-casting. Moulding of plastic materials. Mechanical works.

This certificate is valid from 04/03/2019 until 11/03/2021 and remains valid subject to satisfactory surveillance audits.
Issue 3. Certified since 24/02/2013.

The audit leading to this certificate commenced on 05/02/2019.
Previous issue certificate validity date was until 24/02/2019.

Authorized by
Paola Santarelli

SGS ITALIA S.p.A.
Via Caldera, 21 - 20153 MILANO - Italy
t + 39 02 73 93 1 f +39 02 70 10 94 89 www.sgs.com

ACCREDIA
L'ENTE ITALIANO DI ACCREDITAMENTO

SCR N° 0001 F

Membro di MLA EA per gli schemi di accreditamento SQG, SGA, PRD, PRS, ISP, GHG, LAB, LAT e PTP, di MLA IAF per gli schemi di accreditamento SQG, SGA, SSI, FSM, PRD e PRS e di MRA ILAC per gli schemi di accreditamento LAB, MED, LAT e ISP

Signatory of EA MLA for the accreditation schemes QMS, EMS, PRD, PRS, INSP, GHG, TL, CL and PTP, of IAF MLA for the accreditation schemes QMS, EMS, ISMS, FSMS, PRD and PRS and of ILAC MRA for the accreditation schemes TL, ML, CL and INSP



Verbale N° _03_ del _12/02/2019_

IOP di riferimento: IOP.QPRV - Revisione 0

1.0 Prodotti

- 1.1 *Utilizzare i prodotti per pre-trattamento e verniciatura come specificati nelle schede tecniche:
Akzo Nobel Coatings SPA, RA600M/25KG Interpon D1036 Gloss PURE WHITE Gloss
DEOX 2001-A
IRIDITE NR4-T
OXIDITE C 14*

2.0 Parametri di processo

- 2.1 *Concentrazione prodotti per pre-trattamento.
Specifiche: DEOX 2001-A 30gr/l
IRIDITE NR4-T da 30 a 50 gr/l
OXIDITE C 14 da 30 a 50 gr/l*
- 2.2 *Temperature pre-trattamento
Specifiche: sgrassaggio 50° resto 25°*
- 2.3 *Temperature verniciatura.
Specifiche: 183° velocità 1,7m/min*

3.0 Prove

- 3.1 *Test Nebbia salino-acetica per la simulazione accelerata di condizioni ambientali limite (atmosfera acida e salina). Viene realizzato attraverso l'incisione di un campione che viene successivamente esposto ad una nebbia artificiale salino-acetica per 1000 ore (1 volta all'anno).
Esito 1: test fatto in data 13/04/16 dalla ditta Mac Dermid ripetuto in data 12/02/2019 dalla ditta Akzo Nobel ci arriverà l'esito (vedi report allegato)*
- 3.2 *Controllo temperature verniciatura (1 volta all'anno).
Esito : controllo fatto in data 12/02/2019 dalla ditta Akzo Nobel con esito positivo (vedi report allegato)*

4.0 Controlli di processo

- 4.1 *Concentrazione agenti pre-trattamento
Come da Parametri*
- 4.2 *Temperature di processo
Come da parametri*

5.0 Personale addetto:

- 5.1 *addetto verniciatura - Crescente Cristian
Qualificato 05/11/2018*

6.0 Strumenti di prova, controllo e collaudo presenti

- 6.1 *XXXX
_____data scadenza:*

7.0 Validità qualifica processo

- 7.1 *La presente qualifica ha validità di 1 anno se non intervengono variazioni nelle condizioni sopra riportate.*



**VERBALE DI QUALIFICA PROCESSO
SPECIALE DI VERNICIATURA**

MOD.VQPV
Pagina 2 di 2
Revisione 0
Del 21/03/2016

Si dichiara il processo

validato

non validato

Riconferma da eseguirsi entro il _12/02/2020_

Visto RAQS


CASAL s.r.l.
Costruzioni Accessori Alluminio
FOSSA (MO) Tel. 0421/165955



LEED CERTIFICATE

Ecology is now for every human being the basis of their lives.

Our habits become more and more agile in distinguishing the various products by distinguishing what we use and how we use it and how it was produced.

With the same criteria, Casal has in its own way of producing, made all possible care to be a friend of ecology.

Casal now, as much as in the past, pays attention to the research of the products to be made as well as the materials used for the products.

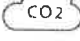
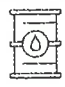

The care and attention are born right from the design of each single component, taking into consideration every particular legislation in force in Europe and in the world.

On this basis, it pays attention to the procedures for the recycling of its production cycles, distinguishing the materials and their future reuse paths.

From the year 2000 Casal has increased its green path with the creation of its first photovoltaic system, which until now has only expanded.

Today the surfaces of its factories are almost completely covered with photovoltaic panels, in order to eliminate the impact of production consumption from the impact of the environment, thanks to 130Kwh / per product.

In addition to this, Casal has paid attention to lighting efficiency such as to reduce by more than 14 kWh / a or -58.5% of the power consumption compared to the old lighting system.

This makes it possible to avoid a production of CO₂ equal to 5.77 tons per year  , which can be equated with a consumption of 9.1 barrels of oil  or 38,477 km of a car's mileage  .

CASAL products follow the criteria to be included in the specific categories established in the LEED protocols in order to obtain the respective credits.

L'ecologia è ormai per ogni essere umano la base della propria vita.

Le nostre abitudini diventano sempre più agili nel distinguere i vari prodotti facendo distinzione a ciò che usiamo e come lo usiamo e come è stato prodotto.

Con gli stessi criteri Casal ha nel proprio modo di produrre, apportato tutte le accuratèzze possibili per essere amico dell'ecologia.

Casal ripone ora, tanto quanto nel passato, attenzione alla ricerca dei prodotti da realizzare come nei materiali usati per i prodotti.

La cura e le attenzioni nascono sin dalla progettazione di ogni singolo componente, tenendo in forte considerazione ogni particolare normativa vigente in Europa e nel mondo.

Su questa base provvede ad usare attenzione alle procedure per il riciclo dei propri cicli produttivi facendo il distinguo dei materiali e ai loro percorsi di riutilizzo futuri.

Dall'anno 2000 Casal ha incrementato il suo percorso verde con la creazione del suo primo impianto fotovoltaico, che sino ad oggi non ha fatto che ampliarsi.

Oggi le superfici dei propri stabilimenti sono quasi completamente coperte di pannelli fotovoltaici, al fine di poter eliminare l'incidenza dei consumi produttivi dall'impatto dell'ambiente, grazie a 130Kwh/a prodotti.

Oltre a questo Casal ha rivolto attenzione all'efficientamento illuminotecnico tale da ridurre di oltre 14 Kwh/a ovvero -58,5% sui consumi di potenza assorbita rispetto al vecchio impianto illuminotecnico.

Questo permette di **evitare** una produzione di CO₂ pari a 5,77 tonnellate anno  che possono

equipararsi ad un consumo di 9,1 barili di petrolio  o a 38.477 km di percorrenza di un automobile



I prodotti CASAL seguono i criteri per rientrare nelle specifiche categorie stabilite nei protocolli LEED così da ottenere i rispettivi crediti.



CASAL s.r.l.
Costruzione Accessori per Serramenti in Alluminio e Ferro
FOSSÒ (VE) 30030

NSHMI



MATERIAL APPROVAL REQUEST

PROJECT NO.: 1571C
CONTRACT TITLE: Town Square Development,
Construction of Noor Townhomes (764 Nos) Dubai, U.A.E.
CONTRACTOR: Beaver Gulf Contracting LLC
CONSULTANT: Arif & Bint oak

DATE: 31-Oct-17
MAR NO.: MAR-0124
REVISION NO: 0
DISCIPLINE: Civil

PRODUCT NAME: Aluminum Doors & Windows Ironmongeries SAMPLE PROVIDED: [x]
MANUFACTURER: Various Manufacturer SUPPLIER: Variety Int'l Trdg. LLC/International Rubber Co. LLC
ADDRESS: P.O. Box 28414, Dubai, UAE

LOCATION OF USE: For Superstructure/ Precast Reinforced Concrete Elements
SPECIFICATION REF:
BOQ REFERENCE:
DELIVERY DURATION: 12 months
EXPECTED DATE OF DELIVERY: 15-Nov-17
DATE MATERIAL REQ'D AT SITE: 15-Nov-17



DESCRIPTION:

Table with 3 columns: No., Item Description, Product Details. Lists 14 items including Door Handle, Sliding Window & Doors, Lock for Metal Frames, etc.

ARIF & BINTOAK Project No.1571
Date Received: 04/11/17
Distribution table with columns: Distribution, Copy, Action

Note: Under Beaver Gulf Contracting LLC - Aluminum & Glazing Division (Sub-contractor)

LEAD SECTOR CONSULTANT'S COMMENTS:

- Refer to comments on MAR-0158 Rev. 01 dated 11.10.17 and comply accordingly.
- Subject to satisfactory performance and clients approval for the same at CO3-SAFI project.
9/11

CONTRACTOR'S REVIEW:

Contractor has reviewed this submittal prior to submission to the Engineer.



Signature: Mr. Pammi Sekar
Senior Project Manager

SUBMITTAL STATUS

- (A) APPROVED NO COMMENTS []
(B) APPROVED AS NOTED [x]
(C) NOT APPROVED - RESUBMIT []
(D) FOR RECORD ONLY []
(E) EMPLOYER APPROVAL REQUIRED []

FOR CONTRACTOR:

LEAD SECTOR CONSULTANT'S SIGNATURE

For and on behalf of Arif & Bint oak

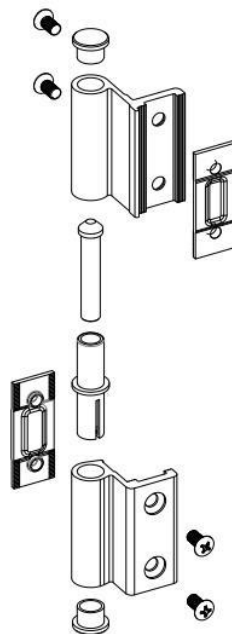
Signature and Date fields for consultant



Cerniera 160/2



Hinge 160/2



Cerniera reversibile a Camera Europea

Disponibile in vari Colori Ral



Reversible Hinge Euro Groove

Available in different Ral Colours

SCHEDA TECNICA

DESCRIZIONE: CERNIERA ART. 160/2 CAMERA EUROPEA

CARATTERISTICHE

Cerniera di tipo reversibile studiata e realizzata con una particolare forma di fissaggio. Nel materiale in dotazione, infatti, ci sono 4 viti TGS a croce 5 x 10 inox; la particolare forma di queste viti consente, una volta avvitata la cerniera, di creare delle interferenze sulla cassa del serramento, aumentando in modo notevole la capacità di portata della cerniera che è di 80 KG per coppia cerniera. I risultati ottenuti sono frutto delle prove tecniche fatte dalla CASAL su ogni tipo di profilo.

MATERIALI E COMPONENTI

Cerniera in alluminio estruso lega 6060 trattamento T5; piastrina di fissaggio e viti in acciaio inox, boccola solfuro molibdeno

- 1 pz. cerniera maschio
- 1 pz. cerniera femmina
- 1 boccola in nylon
- 1 piastrina 19,5 inox aisi 430
- 1 piastrina 17,5 inox aisi 430
- 4 viti M5 x 10 inox aisi 304
- 1 perno zincato D.8 x L.52
- 2 tappi in nylon

FINITURE

Anodizzato: argento, bronzo, elettrocolore, elox nero

Ral: standard, tabella colori

CONFEZIONI

Confezionate 50 per scatola

Si rilascia la presente scheda solo ed esclusivamente ad uso dimostrativo, i pesi riportati sono stati testati internamente. L'uso scorretto di tale documento non può essere da noi tutelato

TECHNICAL CARD



DESCRIPTION: HINGE ART. 160/2 EURO GROOVE

FEATURES

Reversible type hinges designed and made with a particular fixing system. In fact, in the materials provided there are 4 special stainless steel screws; the particular shape of these screws, once the hinge is screwed on, create interferences on the door frame, considerably increasing hinge bearing capacity, which is of 80 kg per hinge pair. The results achieved are the fruit of technical tests that CASAL has conducted on all types of sections.

MATERIALS

Extruded aluminium hinge alloy 6060 treatment T5;

Fixing plate, pin and screws: stainless steel; bush in molybdenum disulfide

1 pc. male hinge

1 pc. female hinge

1 nylon bush

1 stainless steel plate aisi 430 19,5

1 stainless steel plate aisi 430 17,5

4 stainless steel screws M5 x 10 aisi 304

1 galvanized pin D. 8 x L. 52

2 nylon plugs

FINISHES

Anodized: Silver, Bronze, Electrocolour, Black Elox

Ral: Standard, Colour chart

PACKING

50 pcs in each box

This card is intended to be illustrative only, the sizes has been tested internally. The improper use of this document can not be supervised by us.



Cerniera 160/2/3



Hinge 160/2/3



Cerniera reversibile a Camera Europea

Disponibile in vari Colori Ral



Reversible Hinge Euro Groove

Available in different Ral Colours

SCHEDA TECNICA

DESCRIZIONE: CERNIERA ART. 160/2/3 CAMERA EUROPEA

CARATTERISTICHE

Cerniera di tipo reversibile studiata e realizzata con una particolare forma di fissaggio. Nel materiale in dotazione, infatti, ci sono 6 viti TGS a croce 5 x 10 inox; la particolare forma di queste viti consente, una volta avvitata la cerniera, di creare delle interferenze sulla cassa del serramento, aumentando in modo notevole la capacità di portata della cerniera che è di 100 KG per coppia cerniera. I risultati ottenuti sono frutto delle prove tecniche fatte dalla CASAL su ogni tipo di profilo.

MATERIALI E COMPONENTI

Cerniera in alluminio estruso lega 6060 trattamento T5; piastrina di fissaggio e viti in acciaio inox, boccola solfuro molibdeno

- 1 pz. cerniera maschio
- 2 pz. cerniera femmina
- 2 boccole in nylon
- 1 piastrine 19,5 inox aisi 430
- 2 piastrina 17,5 inox aisi 430
- 6 viti M5 x 10 inox aisi 304
- 2 perno zincato D.8 x L.52
- 2 tappi in nylon

FINITURE

Anodizzato: argento, bronzo, elettrocolore, elox nero

Ral: standard, tabella colori

CONFEZIONI

Confezionate 50 per scatola

Si rilascia la presente scheda solo ed esclusivamente ad uso dimostrativo, i pesi riportati sono stati testati internamente. L'uso scorretto di tale documento non può essere da noi tutelato

TECHNICAL CARD



DESCRIPTION: HINGE ART. 160/2/3 EURO GROOVE

FEATURES

Reversible type hinges designed and made with a particular fixing system. In fact, in the materials provided there are 6 special stainless steel screws; the particular shape of these screws, once the hinge is screwed on, create interferences on the door frame, considerably increasing hinge bearing capacity, which is of 100 kg per hinge pair. The results achieved are the fruit of technical tests that CASAL has conducted on all types of sections.

MATERIALS

Extruded aluminium hinge alloy 6060 treatment T5;
Fixing plate, pin and screws: stainless steel; bush in molybdenum disulfide
1 pc. male hinge
2 pcs. female hinge
2 nylon bushes
1 stainless steel plate aisi 430 19,5
2 stainless steel plates aisi 430 17,5
6 stainless steel screws M5 x 10 aisi 304
2 galvanized pins D. 8 x L. 52
2 nylon plugs

FINISHES

Anodized: Silver, Bronze, Electrocolour, Black Elox

Ral: Standard, Colour chart

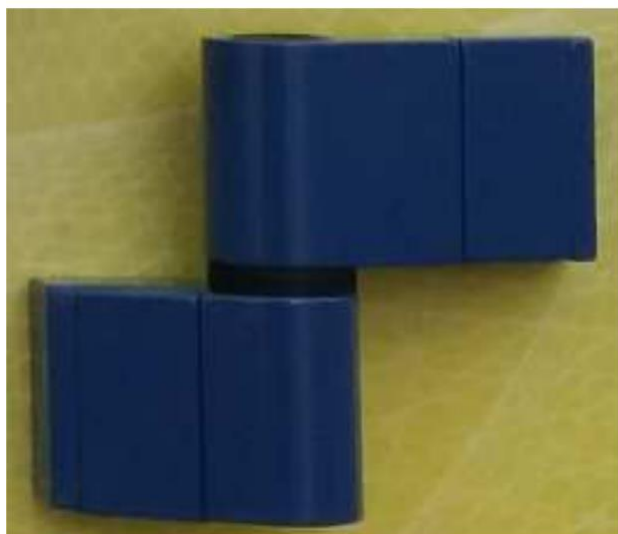
PACKING

50 pcs in each box

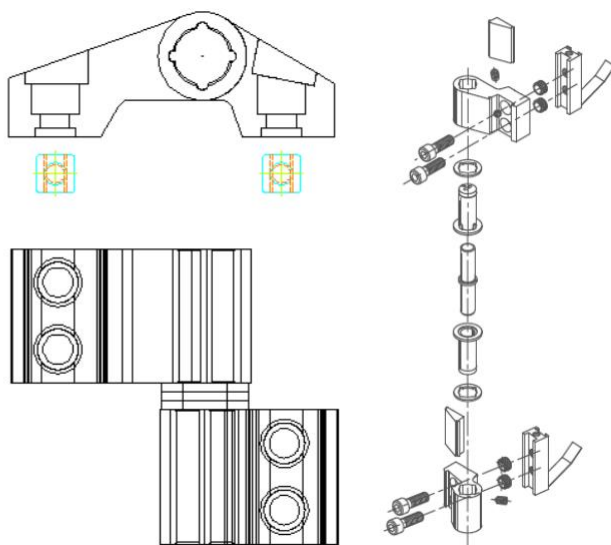
This card is intended to be illustrative only, the sizes has been tested internally. The improper use of this document can not be supervised by us.



Cerniera HERCULES 170



HERCULES Hinge 170



Cerniera reversibile per Porte Hercules

Disponibile in vari Colori Ral



Reversible Door Hinge Hercules

Available in different Ral Colours

SCHEDA TECNICA



DESCRIZIONE: CERNIERA ART. 170 HERCULES per Porte I 61

CARATTERISTICHE

Cerniera interasse 61 studiata e progettata per porte di sicurezza, di ingresso e porte blindate, grazie alle sue particolari caratteristiche di montaggio e a una portata di 140 Kg per coppia di cerniere. La piastrina di copertura delle viti di fissaggio è bloccata con un grano dalla parte interna della cerniera, e può essere rimossa solo con l'apertura dell'anta.

I componenti in dotazione consentono un facile utilizzo e un semplificato sistema di montaggio: piastrina di fissaggio a molla, guidata da un'asta filettata di diametro 6 mm, e dima per la foratura (opzionale).

MATERIALI E COMPONENTI

- 1 pz. Cerniera in alluminio estruso maschio int. 21
- 1 pz. Cerniera in alluminio estruso femmina int. 40
- 2 boccole eccentriche in nylon 6.6 FV 30%
- 2 piastrine di copertura in alluminio estruso
- 1 perno d.12xL.67 inox 304
- 2 piastrine di fissaggio in alluminio estruso grezzo
- 2 molle per piastrine di fissaggio in resina
- 2 rondelle di spessore in nylon
- 4 viti TCEI M8x25 zincate
- 4 boccole guida zigriate d. 8x11 zincate
- 2 grani a coppa M6x10 inox

FINITURE

Anodizzato: argento, bronzo, elettrocolore, elox nero.

Verniciato: Ral standard vedi tabella colori

Speciali: Oro

CONFEZIONI

Confezionate 25 per scatola

Si rilascia la presente scheda solo ed esclusivamente ad uso dimostrativo, i pesi riportati sono stati testati internamente. L'uso scorretto di tale documento non può essere da noi tutelato

TECHNICAL CARD



DESCRIPTION: HERCULES HINGE ART. 170 for doors of center distance 61

FEATURES

The hinge center distance 61 was studied and designed for safety, entrance and security doors, thanks to its specific assembling features and a loading capacity of 140 kg per pair of hinges. The plate covering the securing screws is fixed with a dowel from the inside of the hinge and can only be removed when the door is open. The components provided guarantee an easy use and a simple installation: spring fixing plate, guided by a threaded rod with diameter of 6 mm, and a template for the drilling (optional).

MATERIALS

1 pc extruded aluminium male hinge, center distance 21
1 pc extruded aluminium female hinge, center distance 40
2 nylon eccentric bushes 6.6 FV 30%
2 extruded aluminium covering plates
1 pin d. 12xL67 stainless 304
2 extruded aluminium fixing plates
2 springs for the plate
2 thick washers
4 M8x25 hexagonal headed screws
4 knurled guide bushes, d.8x11
2 M6x10 stainless dowels

FINISHES

Anodized: silver, bronze, electro colour, black elox
Ral: standard, colour chart
Specials: gold

PACKING

25 pcs in each box

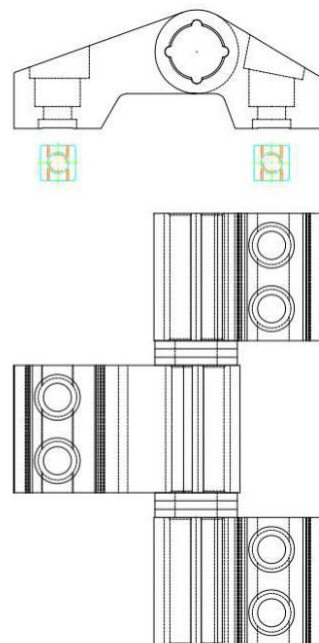
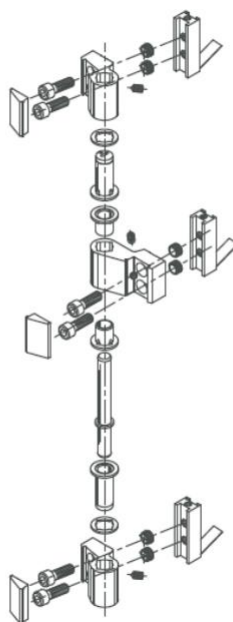
This card is intended to be illustrative only, the sizes has been tested internally. The improper use of this document can not be supervised by us.



Cerniera HERCULES 172



HERCULES Hinge 172



Cerniera reversibile per Porte Hercules

Disponibile in vari Colori Ral



Reversible Door Hinge Hercules

Available in different Ral Colours

SCHEDA TECNICA



DESCRIZIONE: CERNIERA ART. 172 HERCULES per Porte I 61

CARATTERISTICHE

Cerniera interasse 61 studiata e progettata per porte di sicurezza, di ingresso e porte blindate, grazie alle sue particolari caratteristiche di montaggio e a una portata di 160 Kg per coppia di cerniere. La piastrina di copertura delle viti di fissaggio è bloccata con un grano dalla parte interna della cerniera, e può essere rimossa solo con l'apertura dell'anta.

I componenti in dotazione consentono un facile utilizzo e un semplificato sistema di montaggio: piastrina di fissaggio a molla, guidata da un'asta filettata di diametro 6 mm, e dima per la foratura (opzionale).

MATERIALI E COMPONENTI

2 pz. Cerniera in alluminio estruso maschio int. 21
1 pz. Cerniera in alluminio estruso femmina int. 40
2 boccole eccentriche in nylon
2 boccole eccentriche aperte
3 piastrine di copertura in alluminio estruso
1 perno d.12xL.105 inox 304
3 piastrine di fissaggio in alluminio estruso grezzo
3 molle per piastrine di fissaggio in resina
4 rondelle di spessore in nylon
6 viti TCEI M8x25 zincate
6 boccole guida zigriate d. 8x11 zincate
3 grani a coppa M6x10 inox

FINITURE

Anodizzato: Argento, bronzo, elettrocolore, elox nero.

Verniciato: Ral standard vedi tabella colori

Speciali: Oro

CONFEZIONI

Confezionate 15 per scatola

Si rilascia la presente scheda solo ed esclusivamente ad uso dimostrativo, i pesi riportati sono stati testati internamente. L'uso scorretto di tale documento non può essere da noi tutelato

TECHNICAL CARD



DESCRIPTION: HERCULES HINGE ART. 172 for doors of center distance 61

FEATURES

The hinge center distance 61 was studied and designed for safety, entrance and security doors, thanks to its specific assembling features and a loading capacity of 160 kg per pair of hinges. The plate covering the securing screws is fixed with a dowel from the inside of the hinge and can only be removed when the door is open. The components provided guarantee an easy use and a simple installation: spring fixing plate, guided by a threaded rod with diameter of 6 mm, and a template for the drilling (optional).

MATERIALS

2 pcs extruded aluminium male hinge, center distance 21
1 pc extruded aluminium female hinge, center distance 40
2 nylon eccentric bushes
2 open eccentric bushes
3 extruded aluminium covering plates
1 pin d. 12xL105 stainless 304
3 extruded aluminium fixing plates
3 springs for the plate
4 thick washers
6 M8x25 hexagonal headed screws
6 knurled guide bushes, d.8x11
3 M6x10 stainless dowels

FINISHES

Anodized: silver, bronze, electro colour, black elox
Ral: standard, colour chart
Specials: gold

PACKING

15 pcs in each box

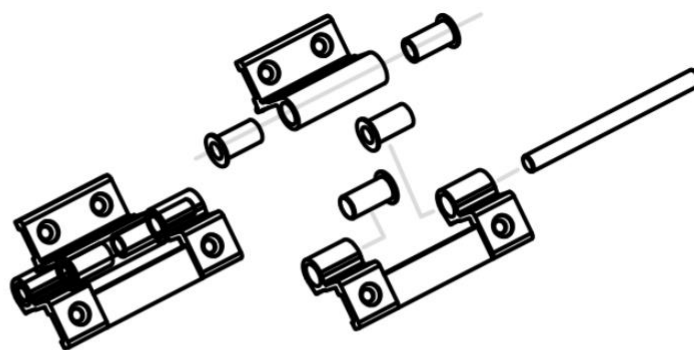
This card is intended to be illustrative only, the sizes has been tested internally. The improper use of this document can not be supervised by us.



Cerniera 160/2/B



Bridge Hinge 160/2/B



Cerniera reversibile a Pettine Camera Europea corredata di Piastrine e viti in Inox

Disponibile in vari Colori Ral



Reversible Bridge Hinge Euro Groove with Inox plates and Screws

Available in different Ral Colours

SCHEDA TECNICA

DESCRIZIONE: CERNIERA ART. 160/2/B CAMERA EUROPEA

CARATTERISTICHE

Cerniera di tipo reversibile a pettine studiata e realizzata con una particolare forma di fissaggio. Nel materiale in dotazione, infatti, ci sono 4 viti TGS a croce 5 x 10 inox; la particolare forma di queste viti consente, una volta avvitata la cerniera, di creare delle interferenze sulla cassa del serramento, aumentando in modo notevole la capacità di portata della cerniera che è di 100 KG per coppia cerniera. I risultati ottenuti sono frutto delle prove tecniche fatte dalla CASAL su ogni tipo di profilo.

MATERIALI E COMPONENTI

Cerniera in alluminio estruso lega 6060 trattamento T5; piastrina di fissaggio e viti in acciaio inox, boccola solfuro molibdeno

1 pz. Cerniera maschio

1 pz. Cerniera femmina

4 boccole in nylon

1 piastrina 19,5 x 48 inox aisi 430

1 piastrina 17,5 x 94 inox aisi 430

4 viti M5 x 10 inox aisi 304

1 perno zincato D.8 x L.95

FINITURE

Anodizzato: argento, bronzo, elettrocolore, elox nero

Ral: standard, tabella colori

CONFEZIONI

Confezionate 50 per scatola

Si rilascia la presente scheda solo ed esclusivamente ad uso dimostrativo, i pesi riportati sono stati testati internamente. L'uso scorretto di tale documento non può essere da noi tutelato.

TECHNICAL CARD

DESCRIPTION: OPEN JOINT HINGE 160/2/B EURO GROOVE

FEATURES

The Open Joint Hinge Art.160/2/B, suitable to the Euro groove profile, is a reversible type hinge designed and made with a particular fixing system.

The 4 stainless tgs 5x10 steel screws have a shape that, once the hinge is screwed on, creates interferences with the door frame, considerably increasing the hinge bearing capacity. Moreover, the stainless steel fixing plates are knurled on sides in order to give more fixing tightness. The results achieved are the fruit of technical tests that Casal has made on all types of sections. The loading capacity is Kg. 100 for a couple of hinges.

MATERIALS

Extruded aluminium hinge alloy 6060 treatment T5; Fixing plates and screws: stainless steel

Bush in molybdenum disulfide

1 pc. extruded male hinge

1 pc. Extruded female hinge

4 nylon bush

1 19,5 x 48 inox aisi 430 plate

1 17,5 x 94 inox aisi 430 plate

4 stainless steel screws M5 x 10 AISI 304

1 galvanized pin, D. 8 x L. 95

FINISHES

Anodized: Silver, Bronze, Electrocolour, Black Elox

Ral: Standard, Colour chart

PACKING

50 pcs. in each box

This card is intended to be illustrative only, the sizes has been tested internally. The improper use of this document can not be supervised by us.



Tavellino Europa 463



Tavellino Europa 463



Tavellino Europa 463

Disponibile in vari Colori Ral



EUROPA 463 TAVELLINO HANDLE

Available in different Ral Colours

SCHEDA TECNICA



DESCRIZIONE TAVELLINO EUROPA

CARATTERISTICHE

TAVELLINO EUROPA 463

Applicazione esterna per la chiusura di finestra a sporgere e a bilico. La linea di questa maniglia entra in sintonia con il design arrotondato di tutta la gamma dei prodotti.

Materiali e componenti: manico, cassa e base d'appoggio in alluminio e zama – nasello in acciaio zincato – viti zincate

MATERIALI E COMPONENTI

Maniglia a tavellino a manico lungo con riscontro a fissaggio coperto, interamente in Alluminio e Zama completa di spessori per maniglia e riscontro da 3 mm, 4 mm, 5 mm in materiale plastico e viteria in acciaio zincato.

- 1 pz. Maniglia a tavellino
- 1 pz. Riscontro
- 1 Kit spessori maniglia da mm 3, mm 4, mm 5
- 1 Kit spessori riscontro da mm 3, mm 4, mm 5
- 8 viti in acciaio zincato di vari diametri e lunghezze

FINITURE

Anodizzato: argento, bronzo, elettrocolore, elox nero
Ral: standard, tabella colori
Tutti i colori gotici
Oro – ottone – inox brillante

CONFEZIONI

Confezionate su imballo da 20 pezzi.
Confezione su imballo nuovo.

Si rilascia la presente scheda solo ed esclusivamente ad uso dimostrativo, i pesi riportati sono stati testati internamente. L'uso scorretto di tale documento non può essere da noi tutelato.

TECHNICAL CARD



DESCRIPTION: Europa Tavellino Handle 463

FEATURES

External application for closing overhanging and pivoting window. The line of this handle comes in tune with the rounded design of the entire product range. Materials and components: handle, case and support base in aluminum and zamak - galvanized steel nose piece - galvanized screws

MATERIALS

Tavellino handle with long leaver and fixing with covered fastening, entirely in Aluminium and Zamak complete with handle and 3 mm, 4 mm, 5 mm thicknesses in plastic and galvanized steel screws.

- 1 pc. Table handle
- 1 pc. Acknowledgment
- 1 Kit of handle thicknesses from 3 mm, 4 mm, 5 mm
- 1 Set of thicknesses 3 mm, 4 mm, 5 mm
- 8 galvanized steel screws of various diameters and lengths

FINISHES

Anodized: silver, bronze, electrocolour, black elox
Ral: standard, colour chart
Any Gothic colour
Gold – brass – bright stainless

PACKING

20 pcs every new box

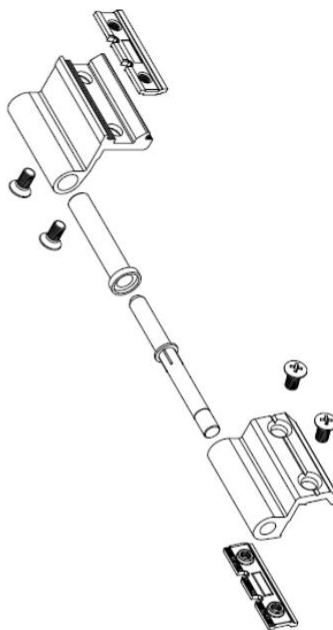
This card is intended to be illustrative only, the sizes has been tested internally.
The improper use of this document can not be supervised by us.



Cerniera 060/2 Quick



Hinge 060/2 Quick



Cerniera reversibile a Camera Europea corredata di Piastrine e viti in Inox

Disponibile in vari Colori Ral



Reversible Hinge Euro Groove with Inox plates and Screws

Available in different Ral Colours

SCHEDA TECNICA



DESCRIZIONE CERNIERA CAMERA EUROPEA QUIK AD AGGANCIO RAPIDO

CARATTERISTICHE

La cerniera QUIK ART. 060/2 per il profilo CAMERA EUROPEA, ha una portata di kg. 80 per coppia cerniere ed è la novità proposta dalla CASAL, studiata e realizzata con lo scopo di ridurre i tempi di installazione; le caratteristiche della piastrina inox e del perno inox consentono di recuperare le tolleranze tra i profili facilitando l'operazione del montaggio del serramento. La scelta dei materiali acciaio inox per le piastrine di fissaggio del perno e delle viti sono la garanzia di sicura qualità del prodotto. Ciò rappresenta la validità dell'azienda CASAL, orientata realmente al mercato e rivolta a migliorare sistematicamente la qualità dei prodotti e dei servizi offerti ai clienti e consumatori.

MATERIALI E COMPONENTI

Cerniera in alluminio estruso: lega 6060 trattamento T5;
piastrina di fissaggio, perno e viti in acciaio inox; boccola in nylon
1 pz. cerniera maschio QUIK
1 pz. cerniera femmina QUIK
1 boccola in nylon 6.6
2 piastrine di fissaggio in acciaio inox aisi 430 con sistema grip
4 viti in acciaio aisi 304 M5 x 10
1 perno antisfilamento in acciaio inox d.7 x L.76 con anello anti sfilamento

FINITURE

Anodizzato: argento, bronzo, elettrocolore, elox nero
Ral: standard, tabella colori
Tutti i colori gotici
Oro – ottone – inox brillante

CONFEZIONI

Cerniere premontate di piastrina e viti (maschio e femmina)
confezionate su imballo da 50 pezzi.
Confezione su imballo nuovo.

**Si rilascia la presente scheda solo ed esclusivamente ad uso dimostrativo, i pesi riportati sono stati testati internamente.
L'uso scorretto di tale documento non può essere da noi tutelato.**

TECHNICAL CARD



DESCRIPTION: QUIK HINGE EURO GROOVE FOR QUICK INSTALLATION

FEATURES

The QUIK hinge ART. 060/2 for the profile EURO GROOVE, has a loading capacity of 80 kg for a pair of hinges and it's the new proposal by CASAL, it was studied and realized for reduce the installation times; thanks to the way of the plate and the steel pin are made up. The tolerances, between the sections can be taken up, facilitating installation on the doors. The use of the stainless steel for the pin's anchoring plates and screws are the guarantee of product quality. It also distinguishes the validity of the firm CASAL which is truly market-oriented and intent on constantly improving the quality of it's products and it's services as well.

MATERIALS

Extruded aluminium hinge alloy 6060 treatment T5;
Fixing plate, pin and screws: stainless steel; nylon bush
1 pc. QUIK male hinge
1 pc. QUIK female hinge
1 nylon bush 6.6
2 stainless steel plates aisi 430 with grip system
4 stainless steel screws M5 x 10 aisi 304
1 stainless steel pin D.7 x L.76 with anti-extraction ring

FINISHES

Anodized: silver, bronze, electrocolour, black elox
Ral: standard, colour chart
Any Gothic colour
Gold – brass – bright stainless

PACKING

Preassembled hinges with plate and screws (male and female)
50 pcs every new box

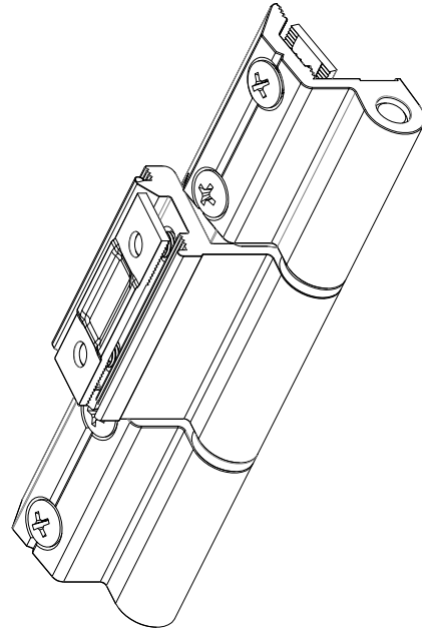
This card is intended to be illustrative only, the sizes has been tested internally.
The improper use of this document cannot be supervised by us.



Cerniera 060/2/3 Quick



Hinge 060/2/3 Quick



Cerniera reversibile a Camera Europea corredata di Piastrine e viti in Inox

Disponibile in vari Colori Ral



Reversible Bridge Hinge Euro Groove with Inox plates and Screws

Available in different Ral Colours

SCHEDA TECNICA



DESCRIZIONE CERNIERA CAMERA EUROPEA QUIK AD AGGANCIO RAPIDO

CARATTERISTICHE

La cerniera QUIK ART. 060/2/3 per il profilo CAMERA EUROPEA, ha una portata di kg. 110 per coppia cerniere ed è la novità proposta dalla CASAL, studiata e realizzata con lo scopo di ridurre i tempi di installazione; le caratteristiche della piastrina inox e del perno inox consentono di recuperare le tolleranze tra i profili facilitando l'operazione del montaggio del serramento. La scelta dei materiali acciaio inox per le piastrine di fissaggio del perno e delle viti sono la garanzia di sicura qualità del prodotto. Ciò rappresenta la validità dell'azienda CASAL, orientata realmente al mercato e rivolta a migliorare sistematicamente la qualità dei prodotti e dei servizi offerti ai clienti e consumatori.

MATERIALI E COMPONENTI

Cerniera in alluminio estruso: lega 6060 trattamento T5;
piastrina di fissaggio, perno e viti in acciaio inox; boccola in nylon
1 pz. cerniera maschio QUIK
2 pz. cerniera femmina QUIK
2 boccole in nylon 6.6
3 piastrine di fissaggio in acciaio inox aisi 430 con sistema grip
6 viti in acciaio aisi 304 M5 x 10
1 perno in acciaio inox d.7 x L.136

FINITURE

Anodizzato: argento, bronzo, elettrocolore, elox nero
Ral: standard, tabella colori
Tutti i colori gotici
Oro – ottone – inox brillante

CONFEZIONI

Cerniere premontate di piastrina e viti (maschio e femmina)
confezionate su imballo da 50 pezzi.
Confezione su imballo nuovo.

**Si rilascia la presente scheda solo ed esclusivamente ad uso dimostrativo, i pesi riportati sono stati testati internamente.
L'uso scorretto di tale documento non può essere da noi tutelato.**

TECHNICAL CARD



DESCRIPTION: QUIK HINGE EURO GROOVE FOR QUICK INSTALLATION

FEATURES

The QUIK hinge ART. 060/2/3 for the profile EURO GROOVE, has a loading capacity of 110 kg for a pair of hinges and it's the new proposal by CASAL, it was studied and realized for reduce the installation times; thanks to the way of the plate and the steel pin are made up. The tolerances, between the sections can be taken up, facilitating installation on the doors. The use of the stainless steel for the pin's anchoring plates and screws are the guarantee of product quality. It also distinguishes the validity of the firm CASAL which is truly market-oriented and intent on constantly improving the quality of it's products and it's services as well.

MATERIALS

Extruded aluminium hinge alloy 6060 treatment T5;
Fixing plate, pin and screws: stainless steel; nylon bush
1 pc. QUIK male hinge
2 pcs. QUIK female hinge
2 nylon bushes 6.6
3 stainless steel plates aisi 430 with grip system
6 stainless steel screws M5 x 10 aisi 304
1 stainless steel pin D.7 x L.136

FINISHES

Anodized: silver, bronze, electrocolour, black elox
Ral: standard, colour chart
Any Gothic colour
Gold – brass – bright stainless

PACKING

Preassembled hinges with plate and screws (male and female)
50 pcs every new box

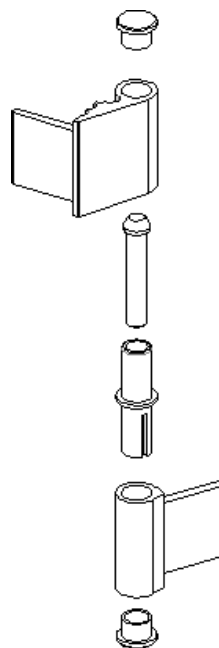
This card is intended to be illustrative only, the sizes has been tested internally. The improper use of this document can not be supervised by us.



Cerniera 100/11



Hinge 100/11



Cerniera reversibile Medio Oriente

Disponibile in vari Colori Ral



Reversible Hinge Middle East

Available in different Ral Colours

SCHEDA TECNICA

DESCRIZIONE: CERNIERA ART. 100/11 MIDDLE EAST 60

CARATTERISTICHE

Cerniere di tipo reversibile per porte e finestre ad anta, con la particolarità dell'alesatura del foro sede del perno della cerniera. La precisione del foro consente di inserire una boccola in nylon studiata e costruita per ridurre le tolleranze di accoppiamento tra i due componenti. Questo sistema permette un migliore funzionamento e una maggiore durata., aumentando in modo notevole la capacità di portata della cerniera che è di 80 KG per coppia cerniera. I risultati ottenuti sono frutto delle prove tecniche fatte dalla CASAL su ogni tipo di profilo.

MATERIALI E COMPONENTI

1 pz. Cerniera in alluminio estruso maschio lega 6060
1 pz. Cerniera in alluminio estruso femmina lega 6060
1 boccola in nylon 6.6
2 tappi in nylon
1 perno zincato d. 8xL.52

FINITURE

Anodizzato: argento, bronzo, elettrocolore, elox nero
Ral: standard, tabella colori
Speciali: Oro

CONFEZIONI

Confezionate 100 per scatola

Si rilascia la presente scheda solo ed esclusivamente ad uso dimostrativo, i pesi riportati sono stati testati internamente. L'uso scorretto di tale documento non può essere da noi tutelato

TECHNICAL CARD

DESCRIPTION: *HINGE ART. 100/11 MIDDLE EAST 60*

CHARACTERISTICS

Reversible type hinges for door and windows, their peculiarity being the boring of the hole for the hinge pin. Thanks to the precision of the hole it is possible to insert a nylon bush designed and made to reduce coupling tolerances between the two. With this system the hinge works better and last longer. increasing so remarkable the carrying capacity of the hinge which is 80 KG Hinge pair. The results obtained are the result of the tests made by CASAL on any type of profile.

MATERIALS AND COMPONENTS

1 pc extruded aluminium male hinge alloy 6060
1 pc extruded aluminium female hinge alloy 6060
1 nylon bush 6.6
2 nylon caps
1 galvanized pin d. 8xL52

FINISHES

Anodized: silver, bronze, electro colour, black elox
Ral: standard, colour chart
Specials: gold

PACKS

100 pcs in each pack

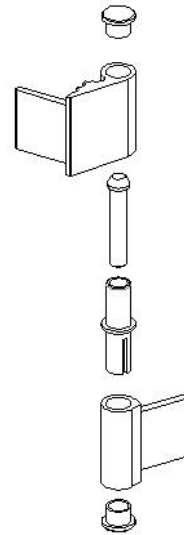
**This card is intended to be illustrative only, the sizes has been tested internally.
The improper use of this document can not be supervised by us.**



Cerniera 100/12



Hinge 100/12



Cerniera reversibile Medio Oriente

Disponibile in vari Colori Ral



Reversible Hinge Middle East

Available in different Ral Colours

SCHEDA TECNICA

DESCRIZIONE: CERNIERA ART. 100/12 MIDDLE EAST 40

CARATTERISTICHE

Cerniere di tipo reversibile per porte e finestre ad anta, con la particolarità dell'alesatura del foro sede del perno della cerniera. La precisione del foro consente di inserire una boccola in nylon studiata e costruita per ridurre le tolleranze di accoppiamento tra i due componenti. Questo sistema permette un migliore funzionamento e una maggiore durata., aumentando in modo notevole la capacità di portata della cerniera che è di 65 KG per coppia cerniera. I risultati ottenuti sono frutto delle prove tecniche fatte dalla CASAL su ogni tipo di profilo.

MATERIALI E COMPONENTI

1 pz. Cerniera in alluminio estruso maschio lega 6060
1 pz. Cerniera in alluminio estruso femmina lega 6060
1 boccola in nylon 6.6
2 tappi in nylon
1 perno zincato d. 8xL.52

FINITURE

Anodizzato: argento, bronzo, elettrocolore, elox nero
Ral: standard, tabella colori
Speciali: Oro

CONFEZIONI

Confezionate 100 per scatola

Si rilascia la presente scheda solo ed esclusivamente ad uso dimostrativo, i pesi riportati sono stati testati internamente. L'uso scorretto di tale documento non può essere da noi tutelato

TECHNICAL CARD

DESCRIPTION: HINGE ART. 100/12 MIDDLE EAST 40

CHARACTERISTICS

Reversible type hinges for door and windows, their peculiarity being the boring of the hole for the hinge pin. Thanks to the precision of the hole it is possible to insert a nylon bush designed and made to reduce coupling tolerances between the two. With this system the hinge works better and last longer. increasing so remarkable the carrying capacity of the hinge which is 65 KG Hinge pair. The results obtained are the result of the tests made by CASAL on any type of profile.

MATERIALS AND COMPONENTS

1 pc extruded aluminium male hinge alloy 6060
1 pc extruded aluminium female hinge alloy 6060
1 nylon bush 6.6
2 nylon caps
1 galvanized pin d. 8xL52

FINISHES

Anodized: silver, bronze, electro colour, black elox
Ral: standard, colour chart
Specials: gold

PACKS

100 pcs in each pack

**This card is intended to be illustrative only, the sizes has been tested internally.
The improper use of this document can not be supervised by us.**



Bracci Frizione 801 e 802



Friction Hinges 801 e 802



Bracci Frizione 801 e 802

Disponibile in vari dimensioni e capacità di portate dai 50 KG ai 155 KG

	Max. Opening Angle	Max. Height (mm)	Max. Width (mm)	Max. Weight (kg)
10"	30	700	1200	50
12"	30/35	800	1200	60
14"	30/35	1000	1300	70
16"	25/30	1200	1400	85
18"	25/30	1400	1400	100
20"	20/25	1600	1500	130
22"	20/25	1700	1500	135
24"	20/25	1800	1500	140
28"	20	2000	1500	155



Friction Hinges 801 e 802

Available in different dimension and wheight capacity From 50 KG to 155 KG

	Max. Opening Angle	Max. Height (mm)	Max. Width (mm)	Max. Weight (kg)
10"	30	700	1200	50
12"	30/35	800	1200	60
14"	30/35	1000	1300	70
16"	25/30	1200	1400	85
18"	25/30	1400	1400	100
20"	20/25	1600	1500	130
22"	20/25	1700	1500	135
24"	20/25	1800	1500	140
28"	20	2000	1500	155

SCHEDA TECNICA



DESCRIZIONE **Bracci Frizione**

CARATTERISTICHE

BRACCI FRIZIONE 801 e 802

Applicazione esterna per l'apertura di finestra a sporgere. La linea di questo braccio cerniera entra in sintonia con il design delle camere di aria/spazio dei sistemi più diffusi.

Materiali e componenti: in acciaio 304

MATERIALI E COMPONENTI

Materiali e componenti: in acciaio 304

FINITURE

Inox

CONFEZIONI

Confezionate su imballo variabile a seconda della dimensione

Si rilascia la presente scheda solo ed esclusivamente ad uso dimostrativo, i pesi riportati sono stati testati internamente. L'uso scorretto di tale documento non può essere da noi tutelato.

TECHNICAL CARD



DESCRIPTION: Friction Hinges

FEATURES

FRICITION ARMS 801 and 802

External application for top-hung window opening. The line of this arm is in tune with the design of the air / space chambers of the most common systems.

Materials and components: 304 steel

MATERIALS

Materials and components: 304 steel

FINISHES

Inox

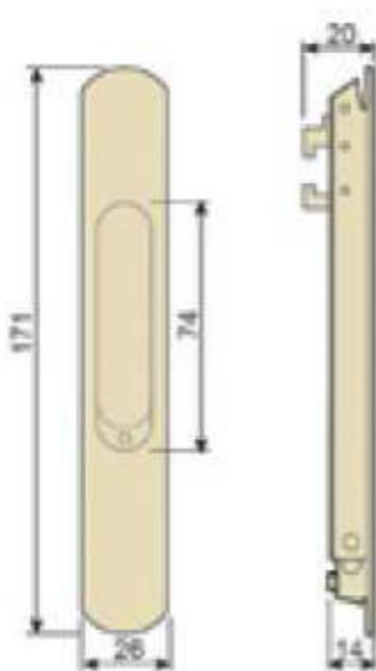
PACKING

Packaged on variable packaging depending on the size

This card is intended to be illustrative only, the sizes has been tested internally.
The improper use of this document can not be supervised by us.



Maniglia Scorrevole Art. 612



Sliding Handle 612



Maniglia a vaschetta per scorrevole in Lega di alluminio 6063 con movimento stampato in nylon e molla in acciaio, completa di kit di aggancio a T.

Disponibile in vari Colori Ral



Handle for sliding in aluminium 6063 with central body in nylon and inox spring, complete of jointing T kit

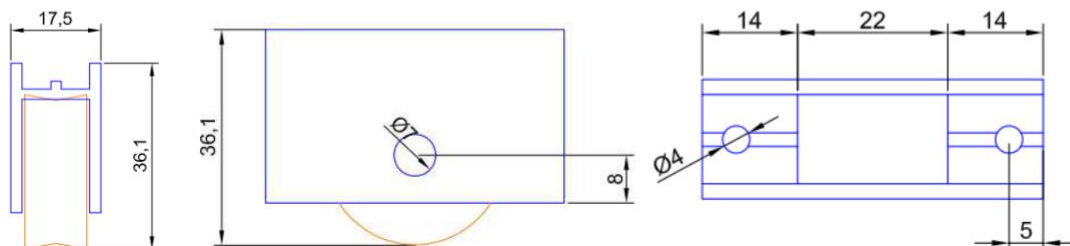
Available in different Ral Colours



Carrello Art. 6000/20



Bearing Roller 6000/20



DESCRIZIONE

CORPO: ALLUMINIO ESTRUSO 6063

RUOTA: ACCIAIO RIVESTITO IN POLIAMMIDE RESISTENTE AL CALORE DI COLORE ARANCIONE.

ASSE: PERNO IN ACCIAIO CON TESTA ZIGRINATA.

PORTATA: 60 KG



DESCRIPTION

BODY: EXTRUDED ALUMINIUM 6063

WHEEL: STEEL COATED NYLON FIRE ORANGE.

AXIS: STEEL BOLT HEAD KNURLED.

CAPACITY: 60 KG



Carrello Art. 6000/21



Bearing Roller 6000/21



CARRELLO RUOTA SINGOLA
CORPO: ACCIAIO ZINCATO CONTRO LA CORROSIONE
RUOTA: ACCIAIO RIVESTITO IN POLIAMMIDE RESISTENTE AL CALORE DI COLORE ARANCIONE.
ASSE: PERNO IN ACCIAIO CON TESTA RIBATTUTA.
PORTATA: 50 KG

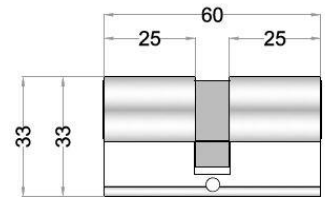
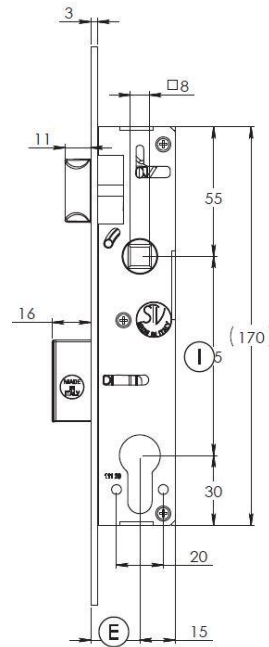
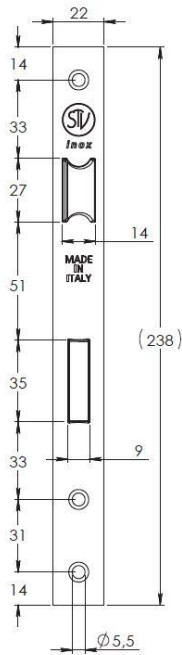


DESCRIPTION
BODY: GALVANIZED STEEL BODY AGAINST CORROSION
WHEEL: COATED STEEL BODY WITH ORANGE POLYAMIDE WHEEL.
AXIS: STEEL PIN WITH REBUFFED HEAD.
CAPACITY: 50 KG


Made in Italy



Latch Lock for Aluminium doors



Stainless steel front plate AISI 304

① Interasse Distance	Ⓔ Entrata Entrance	Quadro maniglia Handle's square	Mandate Turns	Frontale Front plate	Scrocco reversibile	Leva rientro scrocco	Imballo Packaging
mm. 85	mm. 20 / 25 / 30 / 35	mm. 8	1 long	quadro / tondo mm. 22 square / round mm. 22	Reversible latch	Latch return lever	30 pcs



Cylinder

- corpo in ottone
 - perni in ottone
 - molle in acciaio
 - 3 chiavi in ottone nichelato
 - leva "DIN" verticale in acciaio
 - rotazione 360°
 - a richiesta leva "UNI"
 - a richiesta leva 30°
 - a richiesta sistema KA - MK
- Confezione singola con vite

- brass body
 - brass pins
 - steel springs
 - 3 brass keys nickel pl.
 - vertical steel lever "DIN"
 - rotation 360°
 - lever "UNI" available
 - lever 30° available
 - KA - MK system available
- Single packaging with screw



Ottone Naturale
Natural Brass



Ottone Matt Nichel
Brass Matt Nickel pl.

a richiesta
on demand

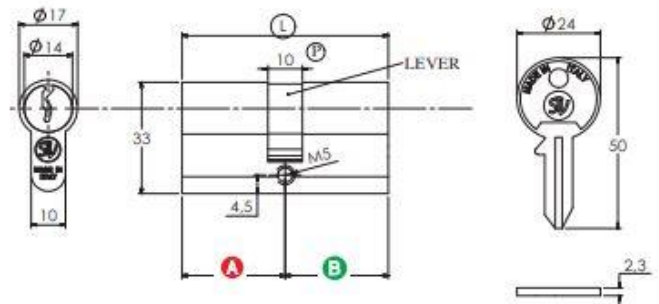


Ottone Nichelato Lucido
Brass Polished Nickel pl.



Ottone Bronzato Graffiato
Brass Satin Bronze pl.

Ⓛ Lunghezza totale mm. Total length mm.	Ⓐ Lunghezza parziale mm. Partial length mm.	Ⓑ Lunghezza parziale mm. Partial length mm.
60 c.	30	30
70 c.	35	35
70 d.	30	40
75 d.	30	45
80 c.	40	40
80 d.	30	50
85 d.	30	55
85 d.	35	50
90 c.	45	45
90 d.	40	50
90 d.	30	60
100 c.	50	50
105 d.	45	60
110 c.	55	55
110 d.	40	70
120 c.	60	60
120 d.	50	70



per altre misure Vi preghiamo di contattarci | For other measures please contact us

